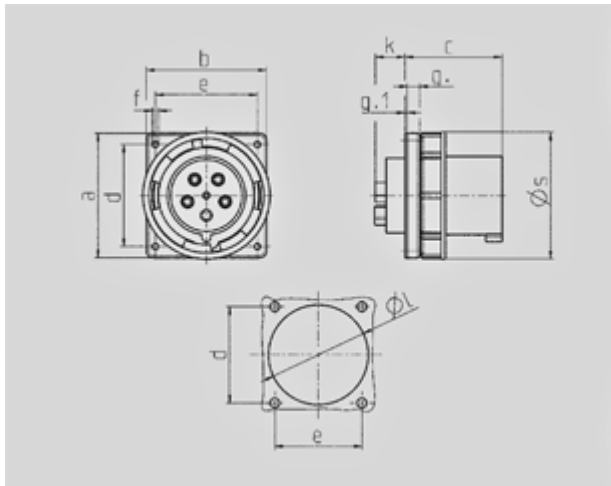


**Panel mounted inlet - Part no. 3583**


- screw terminals
- with highly heat resistant contact carrier
- nickel plated contacts

Protection type	IP 67
Ampere	125 A
Poles	4p
Voltage	400
Hertz	50-60Hz
Earth position	6h
Contact	nickel plated contacts, highly heat resistant contact carrier
Connection technology	Screw terminals

Std. Pack. 5 Qty.



Drawing	Amp.	63			125		
		3	4	5	3	4	5
2 MB 166	Poles						
Dim. in mm	a	110	110	110	130	130	130
	b	106	106	106	130	130	130
	c	86	86	86	112	112	112
	d	90	90	90	104	104	104
	e	90	90	90	104	104	104
	f	5,5	5,5	5,5	6,5	6,5	6,5
	g.	12	12	12	18	18	18
	g.1	2	2	2	2	2	2
	k	28	28	28	28	28	28
	l	88.5	88.5	88.5	95	95	95
	s	113	113	113	132	132	132
	Terminal for cond. cross section (mm <sup>2</sup> ) min.-max.	6	6	6	25	25	25
		-16	-16	-16	-70	-70	-70