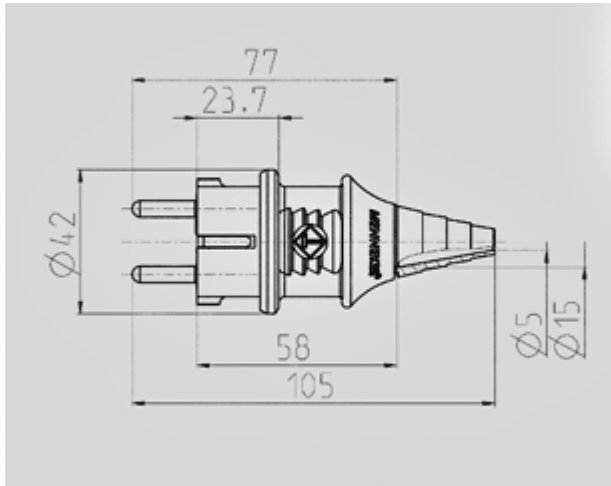


Plug SCHUKO® - Part no. 10749 grey

- screw terminals
- with combined PE-conductor acc. to german and french-belgian standard
- with grommet
- for cables up to 3 x 2.5 mm², up to H07RN-F

| | |
|-----------------------|-----------------|
| Protection type | IP 44 |
| Ampere | 16 A |
| Poles | 2p+E |
| Voltage | 230 |
| Contact | standard |
| Connection technology | Screw terminals |

Std. Pack. 20 Qty.



Drawing
2 MB 139

Dim. in mm