

**CATALOG**



**CONDUIT, ELBOWS, COUPLINGS AND NIPPLES**

Steel (IMC, GRC, EMT) • Aluminum • PVC

Individual Specification Sheets Available at [www.alliedeg.com](http://www.alliedeg.com)

A PART OF



## Allied Tube & Conduit®...

a part of Atkore International, is a leading provider of electrical conduit solutions for your infrastructure requirements.

Since 1959, Allied Tube & Conduit has been reshaping the pipe and tube industry. The company began with a small 24,000 square foot facility, an innovative idea to galvanize EMT conduit while still “in line”, one tube mill, and 10 employees. The tubing industry was changed forever and Allied Tube & Conduit was positioned for growth and expansion.

Today, Allied Tube & Conduit is stronger than ever and now is a part of Atkore International. Atkore International has a global manufacturing footprint with service to customers all over the globe. From construction to manufacturing, our products are hard at work in the center of it all. Whether they're part of a building as electrical raceways, sprinkler pipes, structural tubes and perimeter security or being used by an OEM to make their product, just check the schematics. We are there! Beyond that, we strive to be core to each customer's business as well, understanding what they value and need, and providing essential solutions that improve their day-to-day operations.

Allied Tube & Conduit embodies the same entrepreneurial spirit and innovation that shaped the company back in 1959. We are positioned for continued growth, expansion and innovation, which means our best days – and products – are yet to come.

## Product Innovation & Excellence

Allied Tube & Conduit is a leading brand for EMT, IMC, and Rigid conduits made of steel, PVC, and Aluminum. We have products and engineered solutions to meet every application challenge and are continually evolving to serve you better.

Allied has the most specified line of EMT, IMC, and GRC conduits, including a complimentary line of products, such as:

- EMT elbows
- GRC elbows, couplings and nipples
- Aluminum rigid conduit, elbows and couplings
- PVC conduit, boxes and fittings

Allied's True Color™ EMT provides instant identification of individual power, datacom, and emergency electrical systems. The eight (8) bright colors eliminate the need to spray, powder coat, or tape in the field so installation is quicker, easier and safer. Allied is the innovator of the E-Z Pull® interior finish for faster wire pulling and a galvanizing process both proven to last.

Allied's Kwik-Fit® EMT has an integral steel setscrew coupling and the Kwik-Fit Compression EMT features built-in steel compression coupling. These innovative built-in couplings significantly reduce installation time up to 50%, and eliminate the need to purchase, store, and install separate couplings.



Allied's Rigid conduit offerings include GRC, Aluminum, PVC and IMC. As for IMC, don't let the name fool you. It's true the acronym came from Intermediate Metal Conduit, but the intermediate is specific to the weight and NOT the performance of the conduit. The National Electrical Code® recognizes IMC “for the same use as Rigid, including all hazardous location (classified) applications.” When compared with Rigid, Allied's IMC is up to 30% lighter in weight and saves up to 30% on costs. Ask your electrical installer which conduit would he prefer to lift over and over again?

Allied's factory-installed Super Kwik-Couple™ couplings are available on both IMC and GRC conduit and GRC elbows. These patented couplings eliminate the need to buy expensive unions and 3-piece couplings. Simply line up the conduit ends, spin the Kwik-Couple coupling forward onto the next piece, then wrench-tighten. There is no need to spin the heavy conduit or elbows.

Aluminum rigid conduit combines light weight and corrosion resistance to provide a full-line of easy to install, low maintenance conduit whenever specifications call for aluminum. Allied Tube & Conduit offers a broad line of rigid Aluminum conduit, couplings, and elbows in standard 45°, 90° and custom sized radiuses.

Allied's PVC Conduit is proven durable and effective for years of maintenance-free performance in underground, encased and exposed applications. Rigid PVC conduit fittings are available and can be used with all brands of rigid PVC conduit.

Our agents, sales and customer service teams are available to assist with questions on application, installation and availability of our products. Thank you for considering Allied Tube & Conduit for your conduit and fitting requirements.

For your 24/7 online resource, visit our website at [www.alliedeg.com](http://www.alliedeg.com)

- Downloadable Literature
- How To Videos
- Atkore News Briefs

Visit [www.kwikcalculator.com](http://www.kwikcalculator.com) to estimate your Material and Labor Savings by using Kwik-Fit® products.



## Table of Contents

	<b>EMT • Electrical Metallic Tubing</b>	
	E-Z Pull® EMT	4-5
	True Color™ EMT	4-5
	EMT Elbows	6-8
	Kwik-Fit® EMT	9-10
	Kwik-Fit® Compression EMT	9-10
	<b>IMC • Intermediate Metallic Tubing</b>	
	IMC Conduit	11-13
	Super Kwik-Couple® IMC Conduit	11-13
	<b>GRC • Galvanized Rigid Conduit</b>	
	GRC Rigid Steel Conduit	14-15
	Super Kwik-Couple® GRC Rigid Conduit	14-15
	GRC Couplings, Elbows & Nipples	16-21
	<b>ARC • Aluminum Rigid Conduit</b>	
	Aluminum Rigid Conduit	22
	Aluminum Couplings	23
	Aluminum Elbows	23
	<b>PVC Conduit &amp; Fittings</b>	
	PVC Rigid Conduit & Fittings	24
	PVC Rigid Conduit Sch40 & Sch80	25 - 26
	PVC Conduit Utility Duct DB-60, DB-100 & DB-120	27
	PVC Conduit Utility Duct EB-20 & EB-35	28
	Telephone Duct - Type C	28
	PVC Pipe Chart Loading Chart	29
	Standard Radius PVC Elbows	30 - 33
	Special Radius PVC Elbows	34 - 41
	Spacers	42
	Couplings and Adapters	43 - 46
	Expansion Couplings and Meter Risers	47
	PVC Accessories	48
	PVC Access Fittings	49
	PVC Access Fittings, Junction Boxes & Accessories	50 - 51
	Cover Plates and Weatherproof Box Covers	52 - 53
	Exposed Boxes	54 - 56
	PVC Fittings - Miscellaneous	57
	Solvent Cement/Primer/Cleaner	58
	Warranty	59



NOTE: Special orders are non-cancelable, non-returnable and non-refundable.

[www.alliedeg.com](http://www.alliedeg.com)

# Electrical Metallic Tubing (EMT) and True Color™ EMT

## E-Z Pull® EMT

- Hot galvanized steel using patented inline Flo-Coat® process for long lasting exterior protection
- E-Z Pull interior coating provides a smooth raceway for fast, easier wire-pulling
- Excellent mechanical protection for conductors
- Ductility for faster and easier bending
- Optimal EMI shielding characteristics
- Listed to Underwriters Laboratories Safety Standard UL 797
- Manufactured in accordance with ANSI C80.3
- Available in sizes 1/2 (16) - 4 (103)

## True Color EMT

- All the benefits of E-Z Pull EMT
- Instant identification of multiple circuits
- Fire Alarm® Red EMT
- Healthcare Green EMT
- Data Com Blue EMT
- Available in 8 colors
- Available in sizes 1/2 (16) - 4 (103)

## Quality Electrical Metallic Tubing



## Identify Important Circuits Instantly!



## True Color Applications

### Black EMT

- Blends in dark colored areas

### Fire Alarm® EMT

- Emergency circuits
- Fire alarm and Security systems

### Orange EMT

- Construction/research areas
- Fiber optic systems
- Auto repair/maintenance

### Yellow EMT

- High voltage wiring
- Caution areas
- Special equipment

### Green EMT

- Hospital and healthcare areas
- Nurse call stations
- Critical circuits

### Blue EMT

- Low voltage wiring
- Data com/video
- Network security

### Purple EMT

- Specialty wiring systems
- Security systems

### White EMT

- Blends in light colored areas

### Silver EMT

- Standard Use
- Contemporary architecture



# Electrical Metallic Tubing (EMT) and True Color™ EMT

## FEATURES & SPECIFICATIONS

### Manufactured for Long Life

Allied Tube & Conduit® EMT is precision manufactured from high grade mild strip steel for exceptional durability and long-lasting life. Allied EMT is hot galvanized using a patented inline Flo-Coat® process. This process combines zinc, a conversion coating, and a clear organic polymer topcoat to form a triple layer of protection against corrosion and abrasion.

E-Z Pull® EMT combines strength with ductility, providing easy bending, cutting and joining while resisting flattening, kinking and splitting. Available in sizes 1/2 (16) - 4 (103).

### Coatings

Allied's EMT (Electrical Metallic Tubing) has a special low friction ID coating called E-Z Pull that greatly improves the slip properties between conduit and wire. With E-Z Pull EMT, wire pulls through the EMT smoothly and easily, making installation easier and faster.

### EMI Shielding

Allied EMT is very effective in reducing electromagnetic field levels for encased power distribution circuits, shielding computers and other sensitive electronic equipment from the effects of electromagnetic interference.

For more information on EMT shielding, visit [www.alliedeg.com](http://www.alliedeg.com) to obtain the **GEMI** (Grounding and Electro-Magnetic Interference) software analysis program.

## Electrical Metallic Tubing (EMT) and True Color™ EMT

Listed to Underwriters Laboratories Safety Standard UL 797  
Manufactured in accordance with ANSI C80.3

### Codes & Standards Compliance

Allied EMT is listed to Underwriters Laboratories Safety Standard UL 797 and is manufactured in accordance with ANSI C80.3. These standards have been adopted as federal specifications in lieu of WWC 563. EMT is recognized as an equipment grounding conductor by NEC Section 250-118. Documentation for compliance with NEC Article 250 is also available in the **GEMI** (Grounding and Electro-Magnetic Interference) analysis software and related research studies found at the [www.alliedeg.com](http://www.alliedeg.com) website.

Installation of EMT shall be in accordance with the National Electrical Code® and the UL listing information. Allied EMT is listed in category FJMX. Master bundles conform to NEMA Standard RN2.

### Specification Data

To specify Allied EMT, include the following: Electrical Metallic Tubing shall be equal to that manufactured by Allied Tube & Conduit Corporation. EMT shall be hot galvanized steel O.D. with an organic corrosion resistant I.D. coating, and shall be listed to UL Safety Standard 797 and manufactured in accordance with ANSI C80.3.

**NEW & IMPROVED  
Interior Coating on EMT  
& IMC reduces coefficient  
of friction up to 35%!**



Trade Size	Metric Designator	Outside Diameter <sup>1</sup>		Nominal Wall Thickness <sup>2</sup>		Approximate Weight Per 100 Ft. (30.5M)		Red and Galvanized Master Bundle Quantity		True Color** Bundle Qty.	
		in	mm	in	mm	lb	kg	ft	m	ft	m
1/2	16	0.706	17.93	0.042	1.07	30	13.6	7000	2135	3500	1066.8
3/4	21	0.922	23.42	0.049	1.24	46	20.9	5000	1525	2500	762.0
1	27	1.163	29.54	0.057	1.45	67	30.4	3000	915	1500*	457.2
1-1/4	35	1.510	38.35	0.065	1.65	101	45.8	2000	610	2000	609.6
1-1/2	41	1.740	44.20	0.065	1.65	116	52.6	1500	457.5	1500	457.2
2	53	2.197	55.80	0.065	1.65	148	67.1	1200	366.0	1200	365.7
2-1/2	63	2.875	73.03	0.072	1.83	216	98.0	610	186.1	610	185.9
3	78	3.500	88.90	0.072	1.83	263	119.3	510	155.6	510	155.4
3-1/2	91	4.000	101.60	0.083	2.11	349	158.3	370	112.9	370	112.7
4	103	4.500	114.30	0.083	2.11	393	178.3	300	91.5	300	91.5

<sup>1</sup>Outside diameter tolerances: +/- .005 in. (.13mm) for trade sizes 1/2 (16mm) through 2 (53mm);

+/- .010 in. (.25mm) for trade sizes 2-1/2 (63mm);

+/- .015 in. (.38mm) for trade size 3 (78mm);

+/- .020 in. (.51mm) for trade sizes 3-1/2 (91mm) and 4 (103mm).

\*Blue trade size 1 master bundle size: 3000 ft / 915 m

\*\* Other Color Trade Sizes 2 - 4 are available thru special order

NOTE: Length = 10 ft. (3.05m) with a tolerance of +/- .25 in. (6.35 mm)

NOTE: Special orders are non-cancelable, non-returnable and non-refundable.

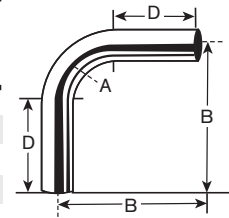
# Electrical Metallic Tubing (EMT) Elbows

## EMT 90° Elbows

Listed to Underwriters Laboratories Safety Standard UL 797  
 Manufactured in accordance with ANSI C80.3



Trade Size	Metric Designator	Radius (A) <sup>1</sup>		Offset (B) <sup>2</sup>		Straight (D) <sup>1</sup>		Approximate Weight Per 100 Pieces		Standard Package
		in	mm	in	mm	in	mm	lb	kg	
1/2	16	4	102	5-7/8	149	1-1/2	38	25	11.3	25
3/4	21	4-1/2	114	7	178	1-1/2	38	46	20.9	50
1	27	5-3/4	146	8-3/4	222	1-7/8	48	84	38.1	25
1-1/4	35	7-1/4	184	10-1/8	257	2	51	144	65.3	20
1-1/2	41	8-1/4	210	11-3/4	298	2	51	193	87.5	15
2	53	9-1/2	241	14	356	2	51	296	134.3	10
2-1/2	63	10-1/2	267	16-1/4	413	3	76	504	228.6	1
3	78	13	330	18-3/4	476	3-1/8	79	701	318.0	1
3-1/2	91	15	381	21-1/4	540	3-1/4	83	1047	474.9	1
4	103	16	406	23-3/8	594	3-3/8	86	1310	594.2	1



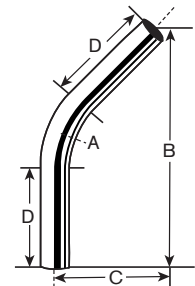
<sup>1</sup>Minimum requirement as per UL Standard  
<sup>2</sup>Dimensions and weights are approximate  
 Sizes 2-1/2 (63) and larger shipped in palletized cartons or bulk.  
 Also available in the following Degrees (60°, 45°, 30°, 22-1/2°, 15° & 11-1/4°)

## EMT 45° Elbows

Listed to Underwriters Laboratories Safety Standard UL 797  
 Manufactured in accordance with ANSI C80.3



Trade Size	Metric Designator	Radius (A) <sup>1</sup>		Offset (B) <sup>2</sup>		Offset (C) <sup>2</sup>		Straight (D) <sup>1</sup>		Approximate Weight Per 100 Pieces		Standard Package
		in	mm	in	mm	in	mm	in	mm	lb	kg	
1/2	16	4	102	6-1/8	156	2-1/2	64	1-1/2	38	18	8.2	25
3/4	21	4-1/2	114	7-3/8	187	3-1/8	79	1-1/2	38	33	15.0	50
1	27	5-3/4	146	8-3/4	222	3-5/8	92	1 7/8	48	56	25.4	25
1-1/4	35	7-1/4	184	10-1/8	257	4-1/8	105	2	51	97	44.0	20
1-1/2	41	8-1/4	210	13-1/8	333	5-3/8	137	2	51	145	65.8	15
2	53	9-1/2	241	13-1/8	333	5-1/2	140	2	51	185	83.9	10
2-1/2	63	10-1/2	267	17-1/2	445	7-1/4	184	3	76	360	163.3	1
3	78	13	330	17-1/2	445	7-1/4	184	3-1/8	79	438	198.7	1
3-1/2	91	15	381	26-1/8	664	10-7/8	276	3-1/4	83	873	396.0	1
4	103	16	406	26-1/4	667	10-7/8	276	3-3/8	86	983	445.9	1



<sup>1</sup>Minimum requirement as per UL Standard  
<sup>2</sup>Dimensions and weights are approximate  
 Sizes 2-1/2 (63) and larger shipped in palletized cartons or bulk.  
 Also available in the following Degrees (90°, 60°, 30°, 22-1/2°, 15° & 11-1/4°)

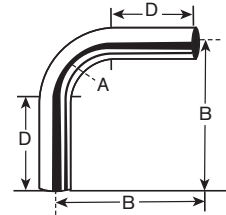
# Electrical Metallic Tubing (EMT) Elbows

## EMT Large Radius 90° Elbows

Listed to Underwriters Laboratories Safety Standard UL 797  
 Manufactured in accordance with ANSI C80.3



Trade Size	Metric Designator	Radius (A)		Offset (B) <sup>2</sup>		Straight (D) <sup>2</sup>		Approximate Weight Per 100 Pieces	
		in	mm	in	mm	in	mm	lb	kg
1-1/4	35	24	610	34-5/8	879	10-5/8	270	497	225.4
1-1/4	35	36	914	46-3/4	1187	10-3/4	273	657	298.0
1-1/4	35	48	1219	60-1/4	1530	12-1/4	311	842	381.9
1-1/2	41	24	610	34-5/8	879	10-5/8	270	570	258.6
1-1/2	41	36	914	46-3/4	1187	10-3/4	273	754	342.0
1-1/2	41	48	1219	60-1/4	1530	12-1/4	311	967	438.6
2	53	24	610	34-5/8	879	10-5/8	270	728	330.2
2	53	30	762	41	1041	11	279	851	386.0
2	53	36	914	46-3/4	1187	10-3/4	273	962	436.4
2	53	42	1067	54	1372	12	305	1110	503.5
2	53	48	1219	60-1/4	1530	12-1/4	311	1233	559.3
2-1/2	63	24	610	34-5/8	879	10-5/8	270	1062	481.7
2-1/2	63	30	762	41	1041	11	279	1242	563.4
2-1/2	63	36	914	46-3/4	1187	10-3/4	273	1404	636.9
2-1/2	63	42	1067	54	1372	12	305	1620	734.8
2-1/2	63	48	1219	60-1/4	1530	12-1/4	311	1800	816.5



<sup>2</sup>For information only, not a requirement as per UL Standard  
 Sizes 2-1/2 (63) and larger shipped in palletized cartons or bulk.  
 Also available in the following Degrees (60°, 45°, 30°, 22-1/2°, 15° & 11-1/4°)

Chart continued on the next page

NOTE: Special orders are non-cancelable, non-returnable and non-refundable.

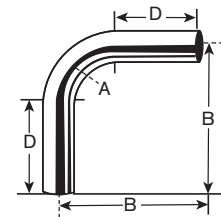
# Electrical Metallic Tubing (EMT) Elbows

## EMT Large Radius 90° Elbows (continued)

Listed to Underwriters Laboratories Safety Standard UL 797  
 Manufactured in accordance with ANSI C80.3



Trade Size	Metric Designator	Radius (A)		Offset (B) <sup>2</sup>		Straight (D) <sup>2</sup>		Approximate Weight Per 100 Pieces	
		in	mm	in	mm	in	mm	lb	kg
3	78	24	610	34-5/8	879	10-5/8	270	1293	586.5
3	78	30	762	41	1041	11	279	1512	685.8
3	78	36	914	46-3/4	1187	10-3/4	273	1710	775.7
3	78	42	1067	54	1372	12	305	1973	895.0
3	78	48	1219	60-1/4	1530	12-1/4	311	2192	994.3
3-1/2	91	24	610	34-5/8	879	10-5/8	270	1716	778.4
3-1/2	91	30	762	41	1041	11	279	2007	910.4
3-1/2	91	36	914	46-3/4	1187	10-3/4	273	2269	1029.2
3-1/2	91	48	1219	60-1/4	1530	12-1/4	311	2908	1319.1
4	103	24	610	34-5/8	879	10-5/8	270	1932	876.4
4	103	30	762	41	1041	11	279	2260	1025.1
4	103	36	914	46-3/4	1187	10-3/4	273	2555	1158.9
4	103	42	1067	54	1372	12	305	2948	1337.2
4	103	48	1219	60-1/4	1530	12-1/4	311	3275	1485.5



<sup>2</sup>For information only, not a requirement as per UL Standard  
 Sizes 2-1/2 (63) and larger shipped in palletized cartons or bulk.  
 Also available in the following Degrees (60°, 45°, 30°, 22-1/2°, 15° & 11-1/4°)



## Kwik-Fit® & Kwik-Fit® Compression EMT

### Kwik-Fit EMT

- Integral steel set-screw coupling formed on one end of each length of EMT
- Fast two step installation
- Material and labor savings up to 50%\*
- No couplings to purchase, inventory or install
- Hot galvanized steel using patented inline Flo-Coat® process for long lasting exterior protection
- E-Z Pull® interior coating provides a smooth raceway for faster, easier wire pulling
- Excellent mechanical protection for conductors
- Ductility for faster and easier bending
- Optimal EMI shielding characteristics
- Listed to UL Safety Standards 797 and to 514-B.
- Manufactured in accordance with ANSI C80.3
- Available in sizes 1-1/4 (35) - 4 (103)

See our Kwik Challenge Videos at  
[youtube.com/AtkoreInternational](https://youtube.com/AtkoreInternational)



### Kwik-Fit Compression EMT

- Integral steel compression coupling on one end of each length of EMT
- Fast two step installation
- Material and labor savings of up to 50%\*
- No couplings to purchase, inventory, or install
- Couplings seal tight eliminating hours of taping seams
- Hot galvanized steel using patented inline Flo-Coat process for long lasting exterior protection
- E-Z Pull interior coating provides a smooth raceway for faster, easier wire pulling
- Excellent mechanical protection for conductors
- Ductility for faster and easier bending
- Optimal EMI shielding characteristics
- Listed to UL Safety Standards 797 and to 514-B.
- Manufactured in accordance with ANSI C80.3
- Available in sizes 1-1/4 (35) - 4 (103)

Visit [www.kwikcalculator.com](http://www.kwikcalculator.com) to estimate  
 your Material and Labor Savings  
 by using Kwik-Fit® products

\* Installation time will vary with job site conditions.

### Faster EMT Installations



### Labor & Material Savings EMT



U.S. Patent Number 8,695,218



NOTE: Special orders are non-cancelable, non-returnable and non-refundable.

[www.alliedeg.com](http://www.alliedeg.com)

# Kwik-Fit® & Kwik-Fit® Compression EMT

## FEATURES & SPECIFICATIONS

### Kwik-Fit and Kwik-Fit Compression EMT

Kwik-Fit and Kwik-Fit Compression EMT have all the benefits of E-Z Pull® EMT with integrated couplings. These built-in couplings significantly reduce installation time, and eliminate the need to purchase, inventory, and install separate couplings.

With **Kwik-Fit EMT** simply insert the plain end of the Kwik-Fit into the coupling end and tighten the set-screws. Unlike traditional set-screw couplings, only two screws need to be tightened.

On the **Kwik-Fit Compression EMT**, simply insert the plain end of the EMT into the compression coupling end and tighten the gland nut. Unlike traditional compression couplings, only one gland nut needs to be tightened.

Kwik-Fit and Kwik-Fit Compression EMT can reduce the installation time up to 50%. Installation time will vary with job site conditions.

### Coatings

Both Kwik-Fit EMT and Kwik-Fit Compression EMT are made from our E-Z Pull EMT. The all steel combinations result in superior strength, performance and an excellent ground return path along with the benefits of built-in couplings. Allied's

superior E-Z Pull interior coating allows easier wire pulling while lowering the coefficient of static friction.

E-Z Pull EMT is hot galvanized on the exterior with a patented inline Flo-Coat process providing long-lasting protection. This process combines zinc, a conversion coating, and a clear organic polymer topcoat to form a triple layer of protection against corrosion and abrasion.

### Codes & Standards Compliance

Kwik-Fit EMT and Kwik-Fit Compression EMT are allowed for PLENUM USE and meet the requirements of section 300.22 of the National Electrical Code® (NEC®). Kwik-Fit Compression EMT meets the requirements of sections 18-27- 300.22(b)(1) and 18-27-300.22(c)(1)(a) of the Chicago Electrical Code.

Allied's Kwik-Fit EMT is Listed to UL Safety Standards 797 and to 514-B.

Kwik-Fit Compression EMT is Listed to UL Safety Standards 797 and 514-B and is UL listed as CONCRETE-TIGHT. Kwik-Fit Compression EMT also meets ANSI Standard C80.3.

Note that these UL and ANSI standards have been adopted by the federal government and separate military specifications no longer exist.



### Kwik-Fit EMT

Trade Size	Metric Designator	Outside Diameter <sup>1</sup>		Nominal Wall Thickness		Approximate Weight Per 100 Ft. (30.5M)		Quantity in Master Bundle	
		in	mm	in	mm	lb	kg	ft	m
1-1/4	35	1.510	38.35	0.065	1.65	101	45.8	840	256.0
1-1/2	41	1.740	44.20	0.065	1.65	116	52.6	720	219.5
2	53	2.197	55.80	0.065	1.65	148	67.1	500	152.4
2-1/2	63	2.875	73.03	0.072	1.83	216	98.0	350	106.7
3	78	3.500	88.90	0.072	1.83	263	119.3	300	91.4
3-1/2	91	4.000	101.60	0.083	2.11	349	158.3	250	76.2
4	103	4.500	114.30	0.083	2.11	393	178.3	250	76.2



### Kwik-Fit Compression EMT

Trade Size	Metric Designator	Outside Diameter <sup>1</sup>		Nominal Wall Thickness		Approximate Weight Per 100 Ft. (30.5M)		Quantity in Master Bundle	
		in	mm	in	mm	lb	kg	ft	m
1-1/4	35	1.510	38.35	0.065	1.65	107	48.5	840	256.0
1-1/2	41	1.740	44.20	0.065	1.65	125	56.7	720	219.5
2	53	2.197	55.80	0.065	1.65	162	73.5	500	152.4
2-1/2	63	2.875	73.03	0.072	1.83	239	108.4	350	106.7
3	78	3.500	88.90	0.072	1.83	291	132.0	300	91.4
3-1/2	91	4.000	101.60	0.083	2.11	383	173.7	250	76.2
4	103	4.500	114.30	0.083	2.11	431	195.5	250	76.2

<sup>1</sup>Outside diameter tolerances +/- .005 in. (.13mm) for size 1-1/4 (35) through 2 (53)  
 +/- .010 in. (.25mm) for size 2-1/2 (63);  
 +/- .015 in. (.38mm) for size 3 (78);  
 +/- .020 in. (.50mm) for sizes 3-1/2 (91) and 4 (103).

NOTE: Length = 10 ft. (3.05m) with a tolerance of +/- .25 in. (6mm)



NOTE: Special orders are non-cancelable, non-returnable and non-refundable.

# Intermediate Metal Conduit (IMC) and Super Kwik-Couple™ IMC

## NEC recognizes Allied IMC for same uses as RIGID

### IMC Conduit

- Light-weight ductile steel conduit for long life and easy bending
- Weighs 1/3 less than rigid conduit
- Saves up to 30% in cost over GRC
- Hot galvanized exterior to increase corrosion resistance and protect against white rust
- Interior coating creates a smooth, continuous raceway for fast wire-pulling
- Listed to UL Safety Standard 1242 and manufactured in accordance with ANSI C80.6
- True Color IMC special orders available
- Available in trade sizes 1/2(16) thru 4(103)

### Super Kwik-Couple™ IMC Conduit

- Similar benefits of IMC conduit
- High grade durable and ductile steel for long life
- Corrosion resistant exterior and interior finishes
- Super Kwik-Couple IMC is listed to UL safety standards 1242 & 514B and manufactured in accordance with ANSI C80.6.
- Eliminates field threading - Factory installed patented Super Kwik-Couple connects to both threaded and unthreaded material
- Connect IMC to IMC, GRC, or EMT
- Reduces Material Cost- no separate couplings to purchase, store, carry, or install
- Reduces labor cost- quick and easy installations
- Compact design allows for easier installation in tight spaces
- Super Kwik-Couple coupling can be easily removed from the conduit and reinstalled in seconds using standard tongue and groove pliers or a strap wrench
- Available in sizes 2-1/2 “-4”

\*\* Super Kwik-Couple IMC does not contain a listing for wet locations and is not approved for Class 1 Division 1 locations

### Kwik-Release End Cap No Tools Needed!



### Quality, Long Lasting Heavy Duty Steel Conduit



### For Faster Installations Use the Super-Kwik Couple IMC Connection



\* U.S. Patent Number: 8,586,881

NOTE: Special orders are non-cancelable, non-returnable and non-refundable.

[www.alliedeg.com](http://www.alliedeg.com)

# Intermediate Metal Conduit (IMC) and Super Kwik-Couple™ IMC

NEC recognizes Allied IMC for same uses as RIGID



## IMC (Intermediate Metal Conduit) Weights and Dimensions

Trade Size	Metric Designator	Average Outside Diameter <sup>1</sup>		Average Wall Thickness <sup>2</sup>		Approximate Weight Per 100 Ft. (30.5M)		Quantity in Master Bundle	
		in	mm	in	mm	lb	kg	ft	m
1/2	16	0.815	20.70	0.070	1.79	62	28.1	3500	1067.5
3/4	21	1.029	26.13	0.075	1.90	84	38.1	2500	762.5
1	27	1.290	32.76	0.085	2.16	119	54.0	1700	518.5
1-1/4	35	1.638	41.60	0.085	2.16	158	71.7	1350	411.8
1-1/2	41	1.883	47.82	0.090	2.29	194	88.0	1100	335.5
2	53	2.360	59.94	0.095	2.41	256	116.1	800	244.0
2-1/2	63	2.857	72.56	0.140	3.56	441	200.0	370	112.9
3	78	3.476	88.29	0.140	3.56	543	246.3	300	91.5
3-1/2	91	3.971	100.86	0.140	3.56	629	285.3	240	73.2
4	103	4.466	113.43	0.140	3.56	700	317.5	240	73.2

<sup>1</sup>Outside diameter tolerances:

- +/- .005 in. (.13mm) for trade sizes 1/2 (16mm) through 1 (25mm)
- +/- .0075 in. (.19mm) for trade sizes 1-1/4 (36mm) through 2 (53mm)
- +/- 0.10 in. (.25mm) for trade sizes 2-1/2 (63mm) through 4 (103mm).

<sup>2</sup>Wall thickness tolerances:

- + 0.15 in. (.38mm) and - .000 for trade sizes 1/2 (13mm) through 2 (53mm)
  - + 0.20 in. (.51mm) and - .000 for trade sizes 2-1/2 (63mm) through 4 (103mm).
- NOTE: Length = 10 ft. (3.05m) with a tolerance of +/- .25 in. (6.35mm).  
NEMA Standard

## Super Kwik-Couple IMC

Super Kwik-Couple IMC shall be listed to Underwriters Laboratories Safety Standard UL 1242 and UL 514B.  
Manufactured in accordance with ANSI C80.6



Trade Size		Average Outside Diameter*		Average Wall Thickness**		Approx. Weight per 100 Ft. (30.5M)		Bundle Qty	
in	mm	in	mm	in	mm	lb	kg	ft	m
2-1/2	63	2.857	72.56	0.14	3.56	460.10	208.70	400	122.0
3	78	3.476	88.29	0.14	3.56	560.09	254.05	300	91.5
3-1/2	91	3.971	100.86	0.14	3.56	653.82	296.57	250	76.3
4	103	4.466	113.4	0.14	3.56	749.70	340.06	200	61.0

\*Outside diameter tolerances:

- +/- .005 in. (.13mm) for trade sizes 1/2 (16mm) through 1 (25mm)
- +/- .0075 in. (.19mm) for trade sizes 1-1/4 (36mm) through 2 (53mm)
- +/- 0.10 in. (.25mm) for trade sizes 2-1/2 (63mm) through 4 (103mm)

\*\*Wall thickness tolerances:

- + 0.15 in. (.38mm) and - .000 for trade sizes 1/2 (13mm) through 2 (53mm)
  - + 0.20 in. (.51mm) and - .000 for trade sizes 2-1/2 (63mm) through 4 (103mm)
- NOTE: Length = 10 ft. (3.05m) with a tolerance of +/- .25 in. (6.35mm)

# Intermediate Metal Conduit (IMC) and Super Kwik-Couple™ IMC

## FEATURES & SPECIFICATIONS

Allied's patented Super Kwik-Couple™ IMC conduit reduces threaded conduit installation time and cost significantly. Super Kwik-Couple has an integrated coupling on the conduit exactly where you need it. Allied Super Kwik-Couple Intermediate Metal Conduit (IMC) is precision manufactured for economical protection and long lasting value for the electrical raceway system. Manufactured from premium, work hardened steel combining electrical and mechanical performance with ductility. Super Kwik-Couple IMC is resistant to impact and is easy to cut, bend and join for smooth, continuous raceways. Allied's Super Kwik-Couple IMC is as strong, lighter in weight, and less expensive than Rigid. In fact, it can save you as much as 30% in overall costs. Intermediate Metal Conduit, covered by Article 342 in the National Electrical Code® (NEC®), is recognized as an equipment grounding conductor in Article 250 of the NEC and also provides excellent shielding from electromagnetic fields.

### The Allied Advantage

Allied's Super Kwik-Couple IMC has a larger internal diameter than RIGID conduit allowing for easier fishing and wire-pulling. Super Kwik-Couple IMC is also more "rigid" than RIGID to provide exceptional wiring protection in many applications.

Allied IMC uses the same threaded couplings and fittings as RIGID conduit, and the 3/4" NPT threads (ANSI B1.20.1) are also full cut and galvanized after cutting. Color-coded end-cap thread protectors keep the threads clean and sharp, and also help to provide instant trade size recognition. Even sizes are color-coded orange, 1/2 trade sizes are yellow, and 1/4 trade sizes are green.

### Coatings

Allied's IMC is hot galvanized using Allied's patented inline Flo-Coat® process. This process combines zinc, a conversion coating, and a clear organic polymer topcoat to form a triple layer of protection against corrosion and abrasion. The interior of Allied IMC is coated with a highly corrosion-resistant lubricating finish for easier wire-pulling. No need to worry about damage to the conduit system even when pulling through multiple 90° bends.

### EMI Shielding

Super Kwik-Couple IMC is very effective in reducing the effects of electromagnetic fields on encased power distribution circuits, shielding computers and other sensitive electronic equipment from the effects of electromagnetic interference.

Visit [www.alliedeg.com](http://www.alliedeg.com) to obtain the **GEMI** (Grounding and Electro-Magnetic Interference) software analysis program.

## Codes & Standards Compliance

IMC is covered by Article 342 of the National Electrical Code® (NEC®). Allied IMC is listed to Underwriters Laboratories Safety Standard UL 1242 and is manufactured in accordance with ANSI C80.6. These standards have been adopted as Federal Specifications in lieu of WWC-581-Type 2. IMC is recognized as an equipment grounding conductor by NEC Section 250-118.

Super Kwik-Couple IMC is listed to UL Safety Standard 1242 and UL 514-B. Super Kwik-Couple IMC is listed for CONCRETE-TIGHT applications.

Super Kwik-Couple IMC does not contain a wet locations listing.

Installation of Super Kwik-Couple IMC conduit and elbows shall be in accordance with the National Electrical Code® and the UL listing information. Allied IMC is listed in UL category DYBY. Master bundles conform to NEMA standard RN2.

## Specification Data

To specify, Super Kwik-Couple IMC include the following: Intermediate Metal Conduit (IMC) conduit and elbows shall be equal to that manufactured by Allied Tube & Conduit® Corporation. IMC shall be hot galvanized steel O.D. with an organic corrosion resistant I.D. coating and shall be listed to UL Safety Standard 1242 and manufactured in accordance with ANSI C80.6. It shall be listed by a nationally recognized testing laboratory with follow-up service. Threads shall be hot galvanized after cutting.



Super Kwik-Couple IMC shall be listed to Underwriters Laboratories Safety Standard UL 1242 and UL 514B. Manufactured in accordance with ANSI C80.6

**SUPER KWIK-COUPLE IMC AVAILABLE**  
Trade Size 2-1/2 to 4

NOTE: Special orders are non-cancelable, non-returnable and non-refundable.

[www.alliedeg.com](http://www.alliedeg.com)

# Galvanized Rigid Conduit (GRC) and Super Kwik-Couple™ GRC

## Galvanized Rigid Conduit (GRC)

- Hot-dip galvanized for excellent corrosion resistance
- High strength ductile steel for long life and easy bending
- Smooth, continuous raceways for fast wire pulling
- Kwik-Release End Cap to protect threads
- True Color™ GRC special orders available
- Listed to Safety Standard UL 6
- Manufactured in accordance with ANSI C80.1
- Available in sizes 1/2 (16) - 6 (155)

## Super Kwik-Couple™ GRC Conduit (SKC)

- Similar benefits of GRC conduit
- High grade durable and ductile steel for long life
- Corrosion resistant exterior and interior finishes
- Super Kwik-Couple GRC is listed to UL safety standards 6 & 514B and manufactured in accordance with ANSI C80.1.
- Eliminates field threading - Factory installed patented Super Kwik-Couple connects to both threaded and unthreaded material
- Connect GRC to GRC, IMC, or EMT
- Reduces Material Cost- no separate couplings to purchase, store, carry, or install
- Reduces labor cost- quick and easy installations
- Compact design allows for easier installation in tight spaces
- Super Kwik-Couple coupling can be easily removed from the conduit and reinstalled in seconds using standard tongue and groove pliers or a strap wrench
- Available in sizes 2-1/2 "-4"

\*\* Super Kwik-Couple GRC does not contain a listing for wet locations and is not approved for Class 1 Division 1 locations

## Super Kwik-Couple Rigid Elbows

- Also available with pre-installed Super Kwik-Couple Couplings
- Made to order, contact us for lead times

## Galvanized Rigid Conduit (GRC)

Listed to UL 6, manufactured in accordance with ANSI C80.1

## Quality, Long Lasting Heavy Duty Steel Conduit



## Quality, Long Lasting Heavy Duty Steel Conduit



## For Faster Installations Use the Super-Kwik Couple GRC Connection



\* U.S. Patent Number: 8,586,881



Trade Size	Metric Designator	Outside Diameter <sup>1</sup>		Nominal Wall Thickness <sup>2</sup>		Approximate Weight Per 100 Ft. (30.5M)		Quantity in Master Bundle*	
		in	mm	in	mm	lb	kg	ft	m
1/2	16	0.840	21.34	0.104	2.64	82	37.2	2500	762.5
3/4	21	1.050	26.67	0.107	2.72	109	49.4	2000	610.0
1	27	1.315	33.40	0.126	3.20	161	73.0	1250	381.3
1-1/4	35	1.660	42.16	0.133	3.38	218	98.9	900	274.5
1-1/2	41	1.900	48.26	0.138	3.51	263	119.3	800	244.0
2	53	2.375	60.33	0.146	3.71	350	158.8	600	183.0
2-1/2	63	2.875	73.03	0.193	4.90	559	253.6	370	112.9
3	78	3.500	88.90	0.205	5.21	727	329.8	300	91.5
3-1/2	91	4.000	101.60	0.215	5.46	880	399.2	250	76.3
4	103	4.500	114.30	0.225	5.72	1030	467.2	200	61.0
5	129	5.563	141.30	0.245	6.22	1520	689.5	150	45.8
6	155	6.625	168.28	0.266	6.76	1785	809.7	100	30.5

<sup>1</sup> Tolerances: Trade Size 1/2 to 1-1/2: ±0.015" (0.38mm); Trade Size 2-6: ±1% Length equals 10 ft. (3.05m) with a tolerance of +/- .25 in. (6.35mm)

<sup>2</sup> For information only. Not a requirement of the UL standard.

\* NEMA RN-3 Standard

# Galvanized Rigid Conduit (GRC) and Super Kwik-Couple™ GRC

## FEATURES & SPECIFICATIONS

### Full Electrical System Protection

Allied's Super Kwik-Couple™ GRC conduit is manufactured from mild steel and is highly resistant to damage from impact yet ductile to facilitate bending.

Color-coded end cap thread protectors keep the threads clean, sharp and also provide instant trade size recognition. Even sizes are color-coded blue, 1/2 sizes black, and 1/4 sizes red.

### Coatings

Conduit: Hot-dip galvanized inside and out providing galvanic corrosion protection. In addition, top coated with a compatible organic layer to protect against white rust. The inside surface is evenly coated for wire-pulling ease, even through multiple 90° bends.

Coupling: Electro-galvanized inside and out to provide galvanic corrosion protection.

### EMI Shielding

Allied GRC Conduit is extremely effective in reducing the effects of electromagnetic field levels for encased power distribution circuits, shielding computers and other sensitive electronic equipment from the effects of electromagnetic interference. Obtain information about the GEMI (Grounding and Electro-Magnetic Interference) software analysis program.

### Codes & Standards Compliance

Allied Super Kwik-Couple GRC Conduit is precision manufactured for dependable, long-lasting value and ultimate protection for electrical conductors. Covered by Article 344 of the National Electrical Code® (NEC®), GRC conduit is highly resistant to damage from impact. GRC

conduit is recognized as an equipment grounding conductor in Section 250.118 of the NEC. Super Kwik-Couple Rigid is listed to UL Safety Standard 6 and UL 514-B. Super Kwik-Couple Rigid is listed for CONCRETE-TIGHT applications. Super Kwik-Couple® GRC does not contain a wet locations listing. It is also manufactured to ANSI C80.1, both of which have been adopted as Federal Specifications in lieu of WWC 581. Installation of Rigid Metal Conduit shall be in accordance with the National Electrical Code and UL General Information card #DYIX. Master bundles conform to NEMA standard RN2.

### Specification Data

To specify, Super Kwik-Couple GRC Conduit include the following: GRC Conduit shall be hot-dip galvanized and manufactured by Allied Tube & Conduit®. Threads shall be hot galvanized after cutting. GRC conduit shall be listed to UL Safety Standard 6 by a nationally-recognized testing laboratory with follow up service. It shall be manufactured in accordance with ANSI C80.1.



Super Kwik-Couple GRC conduit shall be listed to UL 6 and UL 514B and manufactured in accordance with ANSI C80.1.

Note: Federal specification WW-C-581, Class 1, Type A has been superseded by UL Standard 6, which has been adopted by the federal government.

**SUPER KWIK-COUPLE GRC AVAILABLE**  
Trade Size 2-1/2 to 4

### Super Kwik-Couple (GRC)

Super Kwik-Couple GRC shall be listed to Underwriters Laboratories Safety Standard UL 1242 and UL 514B. Manufactured in accordance with ANSI C80.6



Trade Size		Average Outside Diameter*		Average Wall Thickness**		Approx. Weight per 100 Ft. (30.5M)		Bundle Qty	
in	mm	in	mm	in	mm	lb	kg	ft	m
2-1/2	63	2.875	73.03	0.193	4.90	580.70	263.40	400	122.0
3	78	3.500	88.9	0.205	5.21	734.30	333.07	300	91.5
3-1/2	91	4.000	101.6	0.215	5.46	857.00	388.73	250	76.3
4	103	4.500	114.3	0.225	5.72	1059.40	480.54	200	61.0

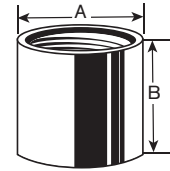
\*Tolerances: Trade Size 2-1/2 to 5: ± 1%  
\*\*For information only. Not a requirement of the UL standard.

NOTE: Special orders are non-cancelable, non-returnable and non-refundable.

# Galvanized Rigid Conduit (GRC) Couplings & Elbows

## Galvanized Rigid Conduit (GRC) Couplings

Trade Size	Metric Designator	Nominal O.D. (A) <sup>2</sup>		Length (B) <sup>1</sup>		Threads Per Inch <sup>1</sup>	Approximate Weight Per 100 Pieces		Standard Package
		in	mm	in	mm		lb	kg	
1/2	16	1.01	25.7	1-5/8	41.3	14	12	5.4	100
3/4	21	1.25	31.8	1-41/64	41.7	14	18	8.2	50
1	27	1.53	38.7	1-31/32	50.0	11-1/2	30	13.6	30
1-1/4	35	1.87	47.5	2-1/32	51.6	11-1/2	37	16.8	25
1-1/2	41	2.16	54.7	2-1/16	52.4	11-1/2	52	23.6	25
2	53	2.65	67.3	2-1/8	54.0	11-1/2	72	32.7	20
2-1/2	63	3.25	82.6	3-3/16	81.0	8	170	77.1	1
3	78	3.87	98.3	3-5/16	84.1	8	210	95.3	1
3-1/2	91	4.50	114.3	3-13/32	86.5	8	340	154.2	1
4	103	4.88	123.8	3-33/64	89.3	8	300	136.1	1
5	129	6.00	152.4	3-61/64	100.4	8	475	215.5	1
6	155	7.20	182.9	4-1/4	108.0	8	765	347.0	1



<sup>1</sup>Minimum requirement as per UL Standard

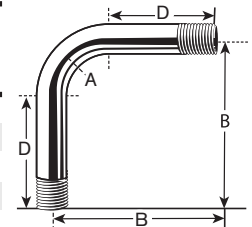
## Galvanized Rigid Conduit (GRC) 90 Degree Elbows

Listed to UL Safety Standard 6

Manufactured in accordance with ANSI C80.1



Trade Size	Metric Designator	Radius (A) <sup>1</sup>		Offset (B) <sup>2</sup>		Straight (D) <sup>1</sup>		Approximate Weight Per 100 Pieces		Standard Package
		in	mm	in	mm	in	mm	lb	kg	
1/2	16	4	102	5-7/8	149	1-1/2	38	68	30.8	50
3/4	21	4-1/2	114	7	178	1-1/2	38	109	49.4	50
1	27	5-3/4	146	8-3/4	222	1-7/8	48	201	91.2	25
1-1/4	35	7-1/4	184	10-3/4	273	2	51	336	152.4	20
1-1/2	41	8-1/4	210	12-1/4	311	2	51	460	208.7	15
2	53	9-1/2	241	14-1/2	368	2	51	729	330.7	10
2-1/2	63	10-1/2	267	17	432	3	76	1374	623.2	1
3	78	13	330	19-5/8	498	3-1/8	79	2045	927.6	1
3-1/2	91	15	381	22-3/4	578	3-1/4	83	2860	1297.3	1
4	103	16	406	23-7/8	606	3-3/8	86	3519	1596.2	1
5	129	24	610	34-7/8	886	3-5/8	92	6942	3148.9	1
6	155	30	762	45-1/2	1156	3-3/4	95	11960	5425.1	1



<sup>1</sup>Minimum requirement as per UL Standard

<sup>2</sup>For information only, not a requirement as per UL Standard

Sizes 2-1/2 (63) and larger shipped in palletized cartons or bulk.

Also available in the following Degrees (60°, 45°, 30°, 22-1/2°, 15° & 11-1/4°)

**SUPER KWIK-COUPLE ELBOWS  
AVAILABLE**  
by special order in Trade Size 2-1/2 to 4

NOTE: Special orders are non-cancelable, non-returnable and non-refundable.



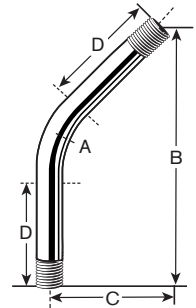
# Galvanized Rigid Conduit (GRC) Elbows

## Galvanized Rigid Conduit (GRC) 45 Degree Elbows

Listed to UL Safety Standard 6  
 Manufactured in accordance with ANSI C80.1



Trade Size	Metric Designator	Radius (A) <sup>1</sup>		Offset (B) <sup>2</sup>		Offset (C) <sup>2</sup>		Straight (D) <sup>1</sup>		Approximate Weight Per 100 Pieces		Standard Package
		in	mm	in	mm	in	mm	in	mm	lb	kg	
1/2	16	4	102	7	178	2-7/8	73	1-1/2	38	55	24.9	50
3/4	21	4-1/2	114	7-7/8	200	3-1/4	83	1-1/2	38	82	37.2	50
1	27	5-3/4	146	9-5/8	244	4	102	1-7/8	48	148	67.1	25
1-1/4	35	7-1/4	184	11-1/8	283	4-5/8	117	2	51	232	105.2	20
1-1/2	41	8-1/4	210	13-1/8	333	5-3/8	137	2	51	329	149.2	15
2	53	9-1/2	241	15-3/4	400	6-1/2	165	2	51	525	238.1	10
2-1/2	63	10-1/2	267	17-1/2	445	7-1/4	184	3	76	932	422.8	1
3	78	13	330	21-7/8	556	9	229	3-1/8	79	1515	687.2	1
3-1/2	91	15	381	26-1/8	664	10-7/8	276	3-1/4	83	2200	997.9	1
4	103	16	406	26-1/4	667	10-7/8	276	3-3/8	86	2575	1168.0	1
5	129	24	610	35-7/8	911	14-7/8	378	3-5/8	92	4783	2169.6	1
6	155	30	762	43-3/8	1102	18	457	3-3/4	95	7590	3442.8	1



<sup>1</sup>Minimum requirement as per UL Standard  
<sup>2</sup>For information only, not a requirement as per UL Standard  
 Sizes 2-1/2 (63) and larger shipped in palletized cartons or bulk.  
 Also available in the following Degrees (60°, 45°, 30°, 22-1/2°, 15° & 11-1/4°)

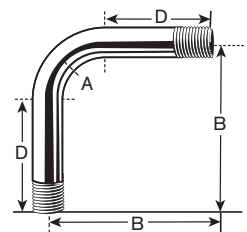
**SUPER KWIK-COUPLE ELBOWS AVAILABLE**  
 by special order in Trade Size 2-1/2 to 4

## Galvanized Rigid Conduit (GRC) Large Radius 90 Degree Elbows

Listed to UL Safety Standard 6  
 Manufactured in accordance with ANSI C80.1



Trade Size	Metric Designator	Radius (A)		Offset (B) <sup>2</sup>		Straight (D) <sup>2</sup>		Approximate Weight Per 100 Pieces	
		in	mm	in	mm	in	mm	lb	kg
1	27	12	305	20-5/8	524	8-5/8	219	483	219.1
1	27	18	457	27-7/8	708	9-7/8	251	644	292.1
1	27	24	610	34-5/8	879	10-5/8	270	792	359.3
1	27	30	762	41	1041	11	279	926	420.0
1	27	36	914	46-3/4	1187	10-3/4	273	1047	474.9
1	27	42	1067	54	1372	12	305	1208	547.9
1	27	48	1219	61-1/4	1556	13-1/4	337	1369	621.0
1-1/4	35	12	305	20-5/8	524	8-5/8	219	654	296.7
1-1/4	35	18	457	27-7/8	708	9-7/8	251	872	395.5
1-1/4	35	24	610	34-5/8	879	10-5/8	270	1072	486.3
1-1/4	35	30	762	41	1041	11	279	1254	568.8
1-1/4	35	36	914	46-3/4	1187	10-3/4	273	1417	642.8
1-1/4	35	42	1067	54	1372	12	305	1635	741.6
1-1/4	35	48	1219	61-1/4	1556	13-1/4	337	1853	840.5



<sup>2</sup>For information only, not a requirement as per UL Standard  
 Shipped in palletized cartons or bulk.  
 Also available in the following Degrees (90°, 60°, 30°, 22-1/2°, 15° & 11-1/4°)

Chart continued on the next page

NOTE: Special orders are non-cancelable, non-returnable and non-refundable.

# Galvanized Rigid Conduit (GRC) Elbows

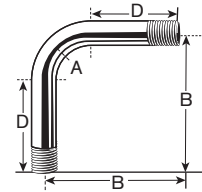
## Galvanized Rigid Conduit (GRC) Large Radius 90 Degree Elbows (continued)

Listed UL Safety Standard 6

Manufactured in accordance with ANSI C80.1



Trade Size	Metric Designator	Radius (A)		Offset (B) <sup>2</sup>		Straight (D) <sup>2</sup>		Approximate Weight Per 100 Pieces	
		in	mm	in	mm	in	mm	lb	kg
1-1/2	41	18	457	27-7/8	708	9-7/8	251	1052	477.2
1-1/2	41	24	610	34-5/8	879	10-5/8	270	1293	586.5
1-1/2	41	30	762	41	1041	11	279	1512	685.8
1-1/2	41	36	914	46-3/4	1187	10-3/4	273	1710	775.7
1-1/2	41	42	1067	54	1372	12	305	1973	895.0
1-1/2	41	48	1219	61-1/4	1556	13-1/4	337	2236	1014.2
2	53	18	457	27-7/8	708	9-7/8	251	1400	635.0
2	53	24	610	30-3/8	772	6-3/8	162	1473	668.2
2	53	30	762	41	1041	11	279	2013	913.1
2	53	36	914	46-3/4	1187	10-3/4	273	2275	1031.9
2	53	42	1067	54	1372	12	305	2625	1190.7
2	53	48	1219	61-1/4	1556	13-1/4	337	2975	1349.5
2-1/2	63	18	457	24-3/8	619	6-3/8	162	1910	866.4
2-1/2	63	24	610	31-1/8	791	7-1/8	181	2422	1098.6
2-1/2	63	30	762	37-1/2	953	7-1/2	191	2888	1310.0
2-1/2	63	36	914	44-3/4	1137	8-3/4	222	3447	1563.6
2-1/2	63	42	1067	54	1372	12	305	4193	1901.9
2-1/2	63	48	1219	61-1/4	1556	13-1/4	337	4752	2155.5
3	78	18	457	24-3/8	619	6-3/8	162	2484	1126.7
3	78	24	610	33-1/8	841	9-1/8	232	3393	1539.1
3	78	30	762	38-5/8	981	8-5/8	219	3892	1765.4
3	78	36	914	46-7/8	1191	10-7/8	276	4741	2150.5
3	78	42	1067	54	1372	12	305	5453	2473.5
3	78	48	1219	60-1/4	1530	12-1/4	311	6058	2747.9
3	78	60	1524	75-7/8	1927	15-7/8	403	7634	3462.8
3-1/2	91	24	610	35-1/8	892	11-1/8	283	4400	1995.8
3-1/2	91	30	762	38-1/2	978	8-1/2	216	4693	2128.7
3-1/2	91	36	914	47	1194	11	279	5757	2611.4
3-1/2	91	42	1067	54	1372	12	305	6600	2993.8
3-1/2	91	48	1219	60-1/4	1530	12-1/4	311	7333	3326.2
4	103	24	610	35-1/8	892	11-1/8	283	5150	2336.0
4	103	30	762	39-3/8	1000	9-3/8	238	5644	2560.1
4	103	36	914	47	1194	11	279	6738	3056.4
4	103	42	1067	54	1372	12	305	7725	3504.1
4	103	48	1219	60-1/4	1530	12-1/4	311	8583	3893.2
4	103	60	1524	75-7/8	1927	15-7/8	403	10815	4905.7



<sup>2</sup>For information only, not a requirement as per UL Standard

Shipped in palletized cartons or bulk.

Also available in the following Degrees (60°, 45°, 30°, 22-1/2°, 15° & 11-1/4°)

Chart continued on the next page

**SUPER KWIK-COUPLE AVAILABLE**  
Trade Size 2-1/2 to 4 by special order

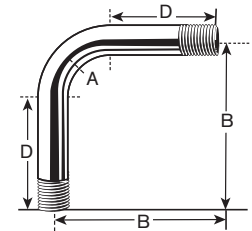
# Galvanized Rigid Conduit (GRC) Elbows & Nipples

## Galvanized Rigid Conduit (GRC) Large Radius 90 Degree Elbows (continued)

Listed to UL Safety Standard 6  
 Manufactured in accordance with ANSI C80.1



Trade Size	Metric Designator	Radius (A)		Offset (B) <sup>2</sup>		Straight (D) <sup>2</sup>		Approximate Weight Per 100 Pieces	
		in	mm	in	mm	in	mm	lb	kg
5	129	36	914	50-3/4	1289	14-3/4	375	10033	4551.0
5	129	48	1219	65-1/4	1657	17-1/4	438	12833	5821.0
5	129	60	1524	75-7/8	1927	15-7/8	403	14700	6667.9
6	155	36	914	50-3/4	1289	14-3/4	375	13187	5981.6
6	155	48	1219	65-1/4	1657	17-1/4	438	16867	7650.9
6	155	60	1524	75-7/8	1927	15-7/8	403	19320	8763.6



<sup>2</sup>For information only, not a requirement as per UL Standard  
 Shipped in palletized cartons or bulk.  
 Also available in the following Degrees (60°, 45°, 30°, 22-1/2°, 15° & 11-1/4°)

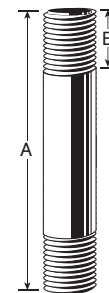
**SUPER KWIK-COUPLE AVAILABLE**  
 Trade Size 2-1/2 to 4 by special order

## Galvanized Rigid Conduit (GRC) Nipples

Listed to UL Safety Standard 6  
 Manufactured in accordance with ANSI C80.1



Trade Size	Metric Designator	Length (A)		Total Thread Length (B) <sup>1</sup>		Threads Per Inch <sup>1</sup>	Approximate Weight Per 100 Pieces		Standard Package
		in	mm	in	mm		lb	kg	
1/2	16	(Close) 1-1/8	29	0.78	19.8	14	6	2.7	25
1/2	16	1-1/2	38	0.78	19.8	14	8	3.6	25
1/2	16	2	51	0.78	19.8	14	12	5.4	25
1/2	16	2-1/2	64	0.78	19.8	14	15	6.8	25
1/2	16	3	76	0.78	19.8	14	19	8.6	25
1/2	16	3-1/2	89	0.78	19.8	14	22	10.0	25
1/2	16	4	102	0.78	19.8	14	26	11.8	25
1/2	16	5	127	0.78	19.8	14	33	15.0	25
1/2	16	6	152	0.78	19.8	14	40	18.1	25
1/2	16	8	203	0.78	19.8	14	54	24.5	25
1/2	16	10	254	0.78	19.8	14	68	30.8	25
1/2	16	12	305	0.78	19.8	14	82	37.2	25
3/4	21	(Close) 1 3/8	35	0.79	20.1	14	9	4.1	25
3/4	21	1-1/2	38	0.79	20.1	14	10	4.5	25
3/4	21	2	51	0.79	20.1	14	14	6.4	25
3/4	21	2-1/2	64	0.79	20.1	14	19	8.6	25
3/4	21	3	76	0.79	20.1	14	24	10.9	25
3/4	21	3-1/2	89	0.79	20.1	14	28	12.7	25
3/4	21	4	102	0.79	20.1	14	34	15.4	25
3/4	21	5	127	0.79	20.1	14	43	19.5	25
3/4	21	6	152	0.79	20.1	14	52	23.6	25
3/4	21	8	203	0.79	20.1	14	73	33.1	25
3/4	21	10	254	0.79	20.1	14	89	40.4	25
3/4	21	12	305	0.79	20.1	14	109	49.4	25



<sup>1</sup>Minimum requirement as per UL Standard  
 A tolerance of minus one thread applies to Total length of Thread  
 Chart continued on the next page

NOTE: Special orders are non-cancelable, non-returnable and non-refundable.

# Galvanized Rigid Conduit (GRC) Nipples

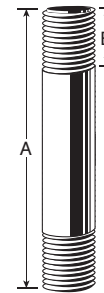
## Galvanized Rigid Conduit (GRC) Nipples (continued)

Listed to UL Safety Standard 6

Manufactured in accordance with ANSI C80.1



Trade Size	Metric Designator	Length (A)		Total Thread Length (B) <sup>1</sup>		Threads Per Inch <sup>1</sup>	Approximate Weight Per 100 Pieces		Standard Package
		in	mm	in	mm		lb	kg	
1	27	(Close) 1-1/2	38	0.98	24.9	11-1/2	16	7.3	25
1	27	2	51	0.98	24.9	11-1/2	22	10.0	25
1	27	2-1/2	64	0.98	24.9	11-1/2	28	12.7	25
1	27	3	76	0.98	24.9	11-1/2	36	16.3	25
1	27	3-1/2	89	0.98	24.9	11-1/2	43	19.5	25
1	27	4	102	0.98	24.9	11-1/2	49	22.2	25
1	27	5	127	0.98	24.9	11-1/2	64	29.0	25
1	27	6	152	0.98	24.9	11-1/2	78	35.4	25
1	27	8	203	0.98	24.9	11-1/2	109	49.4	25
1	27	10	254	0.98	24.9	11-1/2	138	62.6	25
1	27	12	305	0.98	24.9	11-1/2	166	75.3	25
1-1/4	35	(Close) 1-5/8	41	1.01	25.7	11-1/2	22	10.0	25
1-1/4	35	2	51	1.01	25.7	11-1/2	28	12.7	25
1-1/4	35	2-1/2	64	1.01	25.7	11-1/2	37	16.8	25
1-1/4	35	3	76	1.01	25.7	11-1/2	47	21.3	25
1-1/4	35	3-1/2	89	1.01	25.7	11-1/2	55	24.9	25
1-1/4	35	4	102	1.01	25.7	11-1/2	66	29.9	25
1-1/4	35	5	127	1.01	25.7	11-1/2	84	38.1	25
1-1/4	35	6	152	1.01	25.7	11-1/2	100	45.4	25
1-1/4	35	8	203	1.01	25.7	11-1/2	136	61.7	25
1-1/4	35	10	254	1.01	25.7	11-1/2	176	79.8	40
1-1/4	35	12	305	1.01	25.7	11-1/2	216	98.0	30
1-1/2	41	(Close) 1-3/4	44	1.03	26.2	11-1/2	28	12.7	25
1-1/2	41	2	51	1.03	26.2	11-1/2	34	15.4	25
1-1/2	41	2-1/2	64	1.03	26.2	11-1/2	44	20.0	25
1-1/2	41	3	76	1.03	26.2	11-1/2	56	25.4	25
1-1/2	41	3-1/2	89	1.03	26.2	11-1/2	68	30.8	25
1-1/2	41	4	102	1.03	26.2	11-1/2	80	36.3	25
1-1/2	41	5	127	1.03	26.2	11-1/2	103	46.7	25
1-1/2	41	6	152	1.03	26.2	11-1/2	122	55.3	50
1-1/2	41	8	203	1.03	26.2	11-1/2	170	77.1	40
1-1/2	41	10	254	1.03	26.2	11-1/2	216	98.0	30
1-1/2	41	12	305	1.03	26.2	11-1/2	260	117.9	20
2	53	(Close) 2	51	1.06	26.9	11-1/2	44	20.0	25
2	53	2-1/2	64	1.06	26.9	11-1/2	59	26.8	25
2	53	3	76	1.06	26.9	11-1/2	72	32.7	25
2	53	3-1/2	89	1.06	26.9	11-1/2	88	39.9	40
2	53	4	102	1.06	26.9	11-1/2	103	46.7	40
2	53	5	127	1.06	26.9	11-1/2	132	59.9	40
2	53	6	152	1.06	26.9	11-1/2	160	72.6	30
2	53	8	203	1.06	26.9	11-1/2	220	99.8	20
2	53	10	254	1.06	26.9	11-1/2	285	129.3	20
2	53	12	305	1.06	26.9	11-1/2	335	152.0	15



<sup>1</sup>Minimum requirement as per UL Standard

A tolerance of minus one thread applies to Total length of Thread

Chart continued on the next page

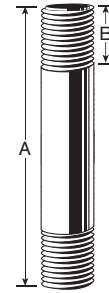
# Galvanized Rigid Conduit (GRC) Nipples

## Galvanized Rigid Conduit (GRC) Nipples (continued)

Listed to UL Safety Standard 6  
Manufactured in accordance with ANSI C80.1



Trade Size	Metric Designator	Length (A)		Total Thread Length (B) <sup>1</sup>		Threads Per Inch <sup>1</sup>	Approximate Weight Per 100 Pieces		Standard Package
		in	mm	in	mm		lb	kg	
2-1/2	63	(Close) 2-3/4	70	1.57	39.9	8	84	38.1	1
2-1/2	63	3	76	1.57	39.9	8	100	45.4	1
2-1/2	63	3-1/2	89	1.57	39.9	8	120	54.4	1
2-1/2	63	4	102	1.57	39.9	8	150	68.0	1
2-1/2	63	5	127	1.57	39.9	8	197	89.4	1
2-1/2	63	6	152	1.57	39.9	8	240	108.9	1
2-1/2	63	8	203	1.57	39.9	8	329	149.2	1
2-1/2	63	10	254	1.57	39.9	8	422	191.4	1
2-1/2	63	12	305	1.57	39.9	8	505	229.1	1
3	78	(Close) 2-5/8	67	1.63	41.4	8	118	53.5	1
3	78	3	76	1.63	41.4	8	130	59.0	1
3	78	3-1/2	89	1.63	41.4	8	157	71.2	1
3	78	4	102	1.63	41.4	8	200	90.7	1
3	78	5	127	1.63	41.4	8	260	117.9	1
3	78	6	152	1.63	41.4	8	300	136.1	1
3	78	8	203	1.63	41.4	8	411	186.4	1
3	78	10	254	1.63	41.4	8	528	239.5	1
3	78	12	305	1.63	41.4	8	630	285.8	1
3-1/2	91	(Close) 2-3/4	70	1.68	42.7	8	160	72.6	1
3-1/2	91	4	102	1.68	42.7	8	240	108.9	1
3-1/2	91	5	127	1.68	42.7	8	320	145.2	1
3-1/2	91	6	152	1.68	42.7	8	373	169.2	1
3-1/2	91	8	203	1.68	42.7	8	510	231.3	1
3-1/2	91	10	254	1.68	42.7	8	655	297.1	1
3-1/2	91	12	305	1.68	42.7	8	785	356.1	1
4	103	(Close) 2-7/8	73	1.73	43.9	8	180	81.6	1
4	103	4	102	1.73	43.9	8	285	129.3	1
4	103	5	127	1.73	43.9	8	380	172.4	1
4	103	6	152	1.73	43.9	8	440	199.6	1
4	103	8	203	1.73	43.9	8	600	272.2	1
4	103	10	254	1.73	43.9	8	775	351.5	1
4	103	12	305	1.73	43.9	8	925	419.6	1
5	129	(Close) 3	76	1.84	46.7	8	240	108.9	1
5	129	5	127	1.84	46.7	8	480	217.7	1
5	129	6	152	1.84	46.7	8	600	272.2	1
5	129	8	203	1.84	46.7	8	825	374.2	1
5	129	10	254	1.84	46.7	8	1055	478.5	1
5	129	12	305	1.84	46.7	8	1260	571.5	1
6	155	(Close) 3-1/8	79	1.95	49.5	8	350	158.8	1
6	155	5	127	1.95	49.5	8	660	299.4	1
6	155	6	152	1.95	49.5	8	820	372.0	1
6	155	8	203	1.95	49.5	8	1125	510.3	1
6	155	10	254	1.95	49.5	8	1440	653.2	1
6	155	12	305	1.95	49.5	8	1720	780.2	1



<sup>1</sup>Minimum requirement as per UL Standard  
A tolerance of minus one thread applies to Total length of Thread

NOTE: Special orders are non-cancelable, non-returnable and non-refundable.

# Aluminum Rigid Conduit (ARC)

## Aluminum Rigid Conduit (ARC)

- Aluminum Rigid Conduit is light weight and is approximately one-third the weight of steel
- Corrosion resistant aluminum resists most corrosive atmospheres in industrial environments
- Easy to install, no special tools needed to cut, bend or thread
- Low maintenance, doesn't leave discoloring streaks or stains
- Listed to UL Safety Standard 6A
- Manufactured in accordance with ANSI C80.5
- Complete line of elbows and couplings
- Available in sizes 1/2 (16) - 6 (155)

## FEATURES & SPECIFICATIONS

### Codes & Standards Compliance

#### Alloy

Allied Rigid Aluminum Conduits and Fittings are all manufactured of 6063 alloy in temper designation T-1 to ensure maximum performance in electrical installations.

#### Standards

Allied Rigid Aluminum Conduit is listed by Underwriters' Laboratories to UL 6A, "Standard for Electrical Rigid Metal Conduit — Aluminum, Red Brass and Stainless Steel" and is manufactured in accordance with ANSI C80.5 (Replaces Federal Specification WWC- 540C).

#### Thread Protectors

Color-Coded end caps keep threads clean and sharp and help provide trade size recognition. Even sizes are blue; 1/2 trade sizes are black; and 1/4 trade sizes are red.



## Aluminum Rigid Conduit (ARC)

Listed to UL Safety Standard 6A

Manufactured in accordance with ANSI C80.5



Trade Size	Metric Designator	Outside Diameter <sup>1</sup>		Nominal Wall Thickness		Approximate Weight Per 100 Ft. (30.5M)		Quantity in Master Bundle	
		in	mm	in	mm	lb	kg	ft	m
1/2	16	0.840	21.34	0.104	2.64	28	12.7	2500	762.5
3/4	21	1.050	26.67	0.107	2.72	37	17.0	2500	762.5
1	27	1.315	33.40	0.126	3.20	55	24.7	2000	610.0
1-1/4	35	1.660	42.16	0.133	3.38	72	32.5	1000	304.8
1-1/2	41	1.900	48.26	0.138	3.51	89	40.2	1000	304.8
2	53	2.375	60.33	0.146	3.71	119	53.8	450	137.2
2-1/2	63	2.875	73.03	0.193	4.90	188	85.0	300	91.5
3	78	3.500	88.90	0.205	5.21	246	111.7	200	61.0
3-1/2	91	4.000	101.60	0.215	5.46	296	134.1	200	61.0
4	103	4.500	114.30	0.225	5.72	350	158.9	200	61.0
5	129	5.563	141.30	0.245	6.22	479	217.2	80	23.4
6	155	6.625	168.28	0.266	6.76	635	287.8	60	18.3

NOTE: <sup>1</sup>Tolerances: 1/2 to 1-1/2 trade sizes +/- 0.015 in. 2 to 6 trade sizes +/- 1%

\*Each length of conduit with coupling attached will be nominally 10 feet

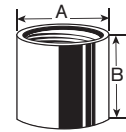
# Aluminum Rigid Conduit (ARC) Couplings and Elbows

Listed to UL Safety Standard 6A  
 Manufactured in accordance with ANSI C80.5



## Aluminum Rigid Conduit (ARC) Couplings

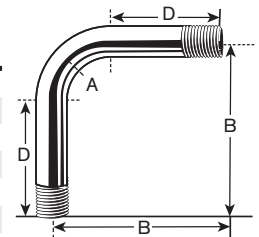
Trade Size	Metric Designator	Nominal Outside Dimensions (A)		Minimum Acceptable Length (B)		Threads Per Inch	Approximate Weight Per 100 Pieces		Standard Package
		in	mm	in	mm		lb	kg	
1/2	16	1.078	27.38	1-5/8	41.3	14	6	2.7	100
3/4	21	1.328	33.73	1-41/64	41.7	14	9	4.1	50
1	27	1.562	39.67	1-31/32	50.0	11-1/2	13	5.9	30
1-1/4	35	1.953	49.61	2-1/32	51.6	11-1/2	19	8.6	25
1-1/2	41	2.219	56.36	2-1/16	52.4	11-1/2	23	10.4	25
2	53	2.750	69.85	2-1/8	54.0	11-1/2	35	15.9	15
2-1/2	63	3.281	83.34	3-3/16	81.0	8	68	30.8	20
3	78	3.812	96.84	3-5/16	84.1	8	91	41.3	15
3-1/2	91	4.438	112.71	3-13/32	86.5	8	108	49.0	12
4	103	5.000	127.00	3-33/64	89.3	8	142	64.4	12
5	129	6.219	157.96	3-61/64	100.4	8	242	109.8	8
6	155	7.312	185.74	4-1/4	108.0	8	320	145.2	6



## Aluminum Rigid Conduit (ARC) 90 Degree Elbows



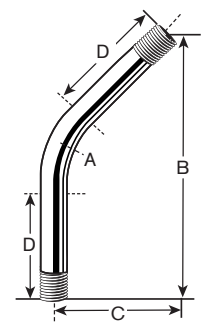
Trade Size	Metric Designator	Nominal Dimensions						Approximate Weight Per 100 Pieces		Standard Package
		Radius (A)		Offset (B)		Straight (D)				
		in	mm	in	mm	in	mm	lb	kg	
1/2	16	4	102	5-7/8	149	1-1/2	38	22	10.0	25
3/4	21	4-1/2	114	7	178	1-1/2	38	32	14.5	40
1	27	5-3/4	146	8-3/4	222	1-7/8	48	62	28.1	25
1-1/4	35	7-1/4	184	10-1/2	267	2	51	99	44.9	10
1-1/2	41	8-1/4	210	11-3/4	298	2	51	137	62.1	10
2	53	9-1/2	241	14-1/2	368	2	51	228	103.4	5
2-1/2	63	10-1/2	267	17-1/4	438	3	76	427	193.7	80
3	78	13	330	22-3/4	578	3-1/8	79	752	341.1	50
3-1/2	91	15	381	23-1/4	591	3-1/4	83	889	403.3	50
4	103	16	406	23-3/8	594	3-3/8	86	1049	475.8	36
5	129	24	610	34-7/8	886	3-5/8	92	2125	963.9	1
6	155	30	762	45-1/2	1156	3-3/4	95	3738	1695.6	1



## Aluminum Rigid Conduit (ARC) 45 Degree Elbows



Trade Size	Metric Designator	Nominal Dimensions								Approximate Weight Per 100 Pieces		Standard Package
		Radius (A)		Offset (B)		Offset (C)		Straight (D)				
		in	mm	in	mm	in	mm	in	mm	lb	kg	
1/2	16	4	102	7	178	2-7/8	73	1-1/2	38	18	8.2	25
3/4	21	4-1/2	114	7-7/8	200	3-1/4	83	1-1/2	38	23	10.4	40
1	27	5-3/4	146	8-3/4	222	3-5/8	92	1-7/8	48	40	18.1	25
1-1/4	35	7-1/4	184	10-1/2	267	4-3/8	111	2	51	65	29.5	10
1-1/2	41	8-1/4	210	13-1/8	333	5-3/8	137	2	51	102	46.3	10
2	53	9-1/2	241	14-1/2	368	6	152	2	51	150	68.0	5
2-1/2	63	10-1/2	267	17-1/2	445	7-1/4	184	3	76	278	126.1	80
3	78	13	330	21	533	8-5/8	219	3-1/8	79	442	200.5	50
3-1/2	91	15	381	26-1/8	664	10-7/8	276	3-1/4	83	659	298.9	50
4	103	16	406	26-1/4	667	10-7/8	276	3-3/8	86	777	352.4	36
5	129	24	610	35-7/8	911	14-7/8	378	3-5/8	92	1446	655.9	1
6	155	30	762	43-3/8	1102	18	457	3-3/4	95	2347	1064.6	1



NOTE: Special orders are non-cancelable, non-returnable and non-refundable.

# Rigid PVC Conduit & Fittings

- Corrosion Resistant
- Non-Magnetic
- Non-Galvanic
- Self-Extinguishing
- Impact Resistant

## FEATURES & SPECIFICATIONS

Allied Tube & Conduit offers a complete line of rigid PVC conduit, fittings and PVC utility duct that have proven durable and effective for years of maintenance free performance in underground, encased, and exposed applications.

### Typical Applications:

- Utilities
- Cable, data and communication lines
- Institutional, commercial, industrial buildings
- Residential applications, & service entrances
- Street and highway underground feeds
- Transportation systems - subways, bridges, tunnels, airports
- Water and wastewater treatment plants
- Marinas
- Mines and mills

### Schedule 40 & 80 Rigid PVC Conduit and Fabricated Fittings

Used in exposed, encased in concrete, and direct burial applications.

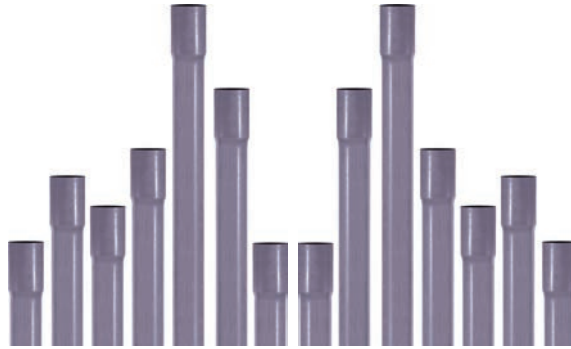
### DB and EB Conduit

DB used in direct burial applications and EB used in encased burial applications.

### PVC Fittings

Allied Tube & Conduit supplies a full line of electrical PVC fittings, elbows and sweeps. We manufacture couplings, female and terminal adapters, and end bells in Carrollton, OH. We carry a broad line of other molded fittings as well.

Allied manufactures a full line of fabricated fittings including swedge and slip couplings, standard elbows, special radius sweeps and custom sweeps in four of our eight manufacturing facilities in New York, Georgia, Texas and Oregon.



### Codes and Standards Compliance

Allied Schedule 40 and Schedule 80 rigid conduits are certified to UL safety standard 651 by ETL and are allowed for use with 90° C conductors, in accordance with the National Electrical Code. They are manufactured in accordance with NEMA TC2.

Allied Type DB and EB ducts are manufactured in accordance with NEMA TC 6&8 and are allowed for use with 90° C Conductors.

Allied PVC fittings are manufactured in accordance with NEMA TC3. The safety standard for PVC fittings is UL 651; for boxes 514C, cover plates 514D and for enclosures UL 50.

See product pages for UL listing Information.

### Specifications

All wiring shall be installed in Allied Tube & Conduit rigid PVC conduit and secured by means of proper fittings. All fittings shall be offered by Allied Tube & Conduit. All outlets, pull boxes and junction points shall be fitted with Allied outlet boxes, fittings and junction boxes.

Exposed conduit shall be securely attached and supported my means of straps. The straps shall be installed at the recommended spacing as specified in the National Electrical Code (NEC). The straps must allow for linear expansion and contraction of the conduit due to temperature change. If variances in temperature exceeds 25°F, expansion joints shall be installed according to the manufacturer's recommendations.

If rigid PVC conduit is embedded in concrete or direct buried, support straps are not required.



Item availability may vary by region.

NOTE: Special orders are non-cancelable, non-returnable and non-refundable.



# Rigid PVC Conduit - Schedule 40

Listed to UL 651

## Schedule 40 Rated for use with 90° C Wiring



Schedule 40 is sunlight resistant. Meets or exceeds the requirements of NEMA TC 2 and UL 651 for Schedule 40 Conduit.

Trade Size	Part Number	Average O.D. (in)	Minimum Average I.D. (in)	Minimum Wall (in)	Weight Per Foot (lbs)	10 Ft Crate Quantity (ft)
1/2	8102	0.840	0.578	0.109	0.165	6000
3/4	8103	1.050	0.780	0.113	0.220	4400
1	8104	1.315	1.004	0.133	0.326	3600
1-1/4	8105	1.660	1.335	0.140	0.441	3300
1-1/2	8106	1.900	1.564	0.145	0.528	2250
2	8108	2.375	2.021	0.154	0.730	1400
2-1/2	8110	2.875	2.414	0.203	1.158	930
3	8112	3.500	3.008	0.216	1.609	880
3-1/2	8114	4.000	3.486	0.226	1.935	630
4	8116	4.500	3.961	0.237	2.292	570
5	8120	5.563	4.975	0.258	3.105	380
6	8124	6.625	5.986	0.280	4.030	260
8*	—	8.625	7.853	0.322	6.065	140

\* UL 651 does not include 8"



## Schedule 40 Rated for use with 90° C Wiring



Schedule 40 is sunlight resistant. Meets or exceeds the requirements of NEMA TC 2 and UL 651 for Schedule 40 Conduit.

Trade Size	Part Number	Average O.D. (in)	Minimum Average I.D. (in)	Minimum Wall (in)	Weight Per Foot (lbs)	20 Ft Crate Quantity (ft)
1/2	8502	0.840	0.578	0.109	0.165	12000
3/4	8503	1.050	0.780	0.113	0.220	8800
1	8504	1.315	1.004	0.133	0.326	7200
1-1/4	8505	1.660	1.335	0.140	0.441	6600
1-1/2	8506	1.900	1.564	0.145	0.528	4500
2	8508	2.375	2.021	0.154	0.730	2800
2-1/2	8510	2.875	2.414	0.203	1.158	1860
3	8512	3.500	3.008	0.216	1.609	1760
3-1/2	8514	4.000	3.486	0.226	1.935	1260
4	8516	4.500	3.961	0.237	2.292	1140
5	8520	5.563	4.975	0.258	3.105	760
6	8524	6.625	5.986	0.280	4.030	520
8*	—	8.625	7.853	0.322	6.065	280

\* UL 651 does not include 8"



Item availability may vary by region.

NOTE: Special orders are non-cancelable, non-returnable and non-refundable.

[www.alliedeg.com](http://www.alliedeg.com)



# Rigid PVC Conduit - Schedule 80

Listed to UL 651

## Schedule 80 Rated for use with 90° C Wiring



Schedule 80 is sunlight resistant. Meets or exceeds the requirements of NEMA TC 2 and UL 651 for Schedule 80 Conduit.

Trade Size	Part Number	Average O.D. (in)	Minimum Average I.D. (in)	Minimum Wall (in)	Weight Per Foot (lbs)	10 Ft Crate Quantity (ft)
1/2	9302	0.840	0.502	0.147	0.205	6000
3/4	9303	1.050	0.698	0.154	0.278	4400
1	9304	1.315	0.910	0.179	0.410	3600
1-1/4	9305	1.660	1.227	0.191	0.565	3300
1-1/2	9306	1.900	1.446	0.200	0.726	2250
2	9308	2.375	1.881	0.218	1.004	1400
2-1/2	9310	2.875	2.250	0.276	1.531	930
3	9312	3.500	2.820	0.300	2.049	880
3-1/2	-	4.000	3.280	0.318	2.499	630
4	9316	4.500	3.737	0.377	3.122	570
5	9320	5.563	4.713	0.375	4.330	380
6	9324	6.625	5.646	0.432	5.954	260



## Schedule 80 Rated for use with 90° C Wiring



Schedule 80 is sunlight resistant. Meets or exceeds the requirements of NEMA TC 2 and UL 651 for Schedule 80 Conduit.

Trade Size	Part Number	Average O.D. (in)	Minimum Average I.D. (in)	Minimum Wall (in)	Weight Per Foot (lbs)	20 Ft Crate Quantity (ft)
1/2	-	0.840	0.502	0.147	0.205	12000
3/4	-	1.050	0.698	0.154	0.278	8800
1	9504	1.315	0.910	0.179	0.410	7200
1-1/4	-	1.660	1.227	0.191	0.565	6600
1-1/2	-	1.900	1.446	0.200	0.726	4500
2	9508	2.375	1.881	0.218	1.004	2800
2-1/2	-	2.875	2.250	0.276	1.531	1860
3	9512	3.500	2.820	0.300	2.049	1760
3-1/2	-	4.000	3.280	0.318	2.499	1260
4	9516	4.500	3.737	0.377	3.122	1140
5	9520	5.563	4.713	0.375	4.330	760
6	9524	6.625	5.646	0.432	5.954	520



## Rigid PVC Conduit - Utility Duct

### Utility Duct - Type DB-60 for Direct Burial Rated for use with 90° C Wire



Trade Size	Part Number	Average O.D. (in)	Minimum Wall (in)	Weight Per Foot (lbs)	20 Ft Crate Quantity (ft)
2	7508	2.375	0.060	0.361	2800
3	7512	3.500	0.092	0.711	1760
4	7516	4.500	0.121	1.202	1140
5	7520	5.563	0.152	1.866	760
6	7524	6.625	0.182	2.660	520

• Meets NEMA TC 6 and 8 and ASTM F 512

### Utility Duct - Type DB-100 for Direct Burial Rated for use with 90° C Wire



Trade Size	Part Number	Average O.D. (in)	Minimum Wall (in)	Weight Per Foot (lbs)	Crate Quantity (ft)
3	924289	3.500	0.112	0.879	1760
4	924290	4.500	0.145	1.499	1140
5	924291	5.563	0.179	2.292	760
6	924292	6.625	0.213	3.253	520

• Meets NEMA TC 6 and 8 and ASTM F 512

### Utility Duct - Type DB-120 for Direct Burial Rated for use with 90° C Wire



Trade Size	Part Number	Average O.D. (in)	Minimum Wall (in)	Weight Per Foot (lbs)	Crate Quantity (ft)
1	–	1.315	0.060	0.164	7200
1-1/2	–	1.900	0.060	0.258	4500
2	–	2.375	0.077	0.415	2800
3	6112	3.500	0.118	0.964	1760
4	6116	4.500	0.154	1.594	1140
5	–	5.563	0.191	2.433	760
6	–	6.625	0.227	3.448	520

• Meets NEMA TC 6 and 8 and ASTM F 512

Item availability may vary by region.

NOTE: Special orders are non-cancelable, non-returnable and non-refundable.

[www.alliedeg.com](http://www.alliedeg.com)

# Rigid PVC Conduit - Utility Duct

## Utility Duct - Type EB-20 for Encased Burial Rated for use with 90° C Wire



Trade Size	Part Number	Average O.D. (in)	Minimum Wall (in)	Weight Per Foot (lbs)	Crate Quantity (ft)
2	2008	2.375	0.060	0.361	2800
3	2012	3.500	0.061	0.514	1760
4	2016	4.500	0.082	0.900	1140
5	2020	5.563	0.103	1.268	760
6	2024	6.625	0.125	1.729	520

• Meets NEMA TC 6 and 8 and ASTM F 512

## Utility Duct - Type EB-35 for Encased Burial Rated for use with 90° C Wire



Trade Size	Part Number	Average O.D. (in)	Minimum Wall (in)	Weight Per Foot (lbs)	Crate Quantity (ft)
2	3508	2.375	0.060	0.361	2800
4	3516	4.500	0.100	0.923	1760
5	3520	5.563	0.126	1.650	760
6	-	6.625	0.152	2.375	520

• Meets NEMA TC 6 and 8 and ASTM F 512

## Telephone Duct - Type C

Trade Size	Average O.D. (in)	Minimum Wall (in)	Weight Per Foot (lbs)	Crate Quantity (ft)
4	4.350	0.149	1.493	1260

• Meets CAO 8546  
• Type C duct has minimum pipe stiffness of 120 lbs/in/in

Item availability may vary by region.

NOTE: Special orders are non-cancelable, non-returnable and non-refundable.

# PVC Pipe Truck Loading Chart

Product Type	Size	Ft/Crate	Pcs/Crate	Ft/Truckload	Crates/Stack	Crate % of TL
<b>Schedule 40/80 10' Pipe Length</b>	1/2	6,000	600	288,000	6	2.00
	3/4	4,400	440	176,000	5	2.50
	1	3,600	360	144,000	5	2.50
	1-1/4	3,300	330	132,000	5	2.50
	1-1/2	2,250	225	90,000	5	2.50
	2	1,400	140	56,000	5	2.50
	2-1/2	930	93	37,000	5	2.50
	3	880	88	28,160	4	3.13
	3-1/2	630	63	20,160	4	3.13
	4	570	57	18,240	4	3.13
	5	380	38	12,160	4	3.13
	6	260	26	8,320	4	3.13
8	140	14	4,480	4	3.13	
<b>Schedule 40/80 20' Pipe Length</b>	1/2	12,000	600	288,000	6	4.16
	3/4	8,800	440	176,000	5	5.00
	1	7,200	360	144,000	5	5.00
	1-1/4	6,600	330	132,000	5	5.00
	1-1/2	4,500	225	90,000	5	5.00
	2	2,800	140	56,000	5	5.00
	2-1/2	1,860	93	37,000	5	5.00
	3	1,760	88	28,160	4	6.25
	3-1/2	1,260	63	20,160	4	6.25
	4	1,140	57	18,240	4	6.25
	5	760	38	12,160	4	6.25
	6	520	26	8,320	4	6.25
8	280	14	4,480	4	6.25	
<b>DB or EB Duct 20' Pipe Length</b>	1	7,200	360	144,000	5	5.00
	1-1/2	4,500	225	90,000	5	5.00
	2	2,800	140	56,000	5	5.00
	3	1,760	100	28,160	4	6.25
	4	1,140	57	18,240	4	6.25
	5	760	38	12,160	4	6.25
	6	520	26	8,320	4	6.25
<b>C-Duct 20' Pipe Length</b>	4	1,260	63	20,160	4	6.25

• Full truckloads of some individual Schedule 40 products and all Schedule 80 products may exceed trucking weight limits.

Item availability may vary by region.

NOTE: Special orders are non-cancelable, non-returnable and non-refundable.

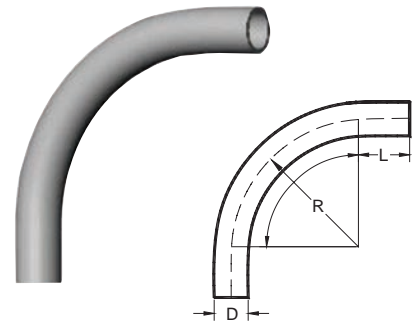
[www.alliedeg.com](http://www.alliedeg.com)

# PVC Schedule 40 - Standard Radius Elbows (Plain End)

Listed to UL 651

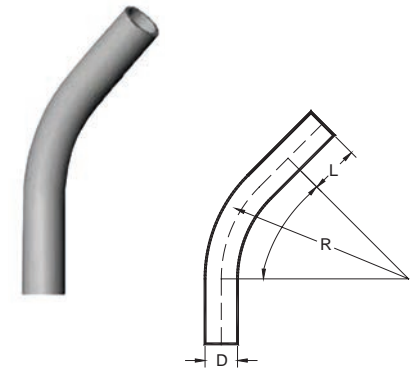
## 90° Elbows

Trade Size	System Part Number	Standard Package Quantity	Average O.D. (in)	Minimum Length (L) (in)	Radius (R) (in)
1/2	59588	50	0.840	1.500	4.00
3/4	59589	25	1.050	1.500	4.50
1	59590	25	1.315	1.875	5.75
1-1/4	59591	25	1.660	2.000	7.25
1-1/2	59592	25	1.900	2.000	8.25
2	59593	25	2.375	2.000	9.50
2-1/2	59594	50	2.875	3.000	10.50
3	59595	50	3.500	3.125	13.00
3-1/2	59596	25	4.000	3.250	15.00
4	59597	25	4.500	3.375	16.00
5	59598	20	5.563	3.625	24.00
6	59599	16	6.625	3.750	30.00



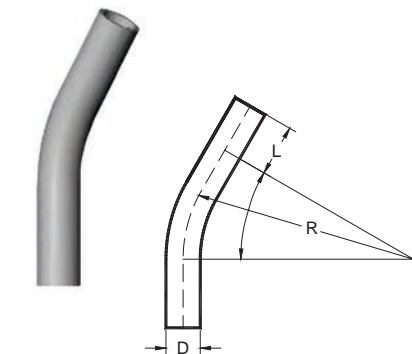
## 45° Elbows

Trade Size	System Part Number	Standard Package Quantity	Average O.D. (in)	Minimum Length (L) (in)	Radius (R) (in)
1/2	59575	50	0.840	1.500	4.00
3/4	59576	25	1.050	1.500	4.50
1	59577	25	1.315	1.875	5.75
1-1/4	59578	25	1.660	2.000	7.25
1-1/2	59579	25	1.900	2.000	8.25
2	59580	25	2.375	2.000	9.50
2-1/2	59581	50	2.875	3.000	10.50
3	59582	50	3.500	3.125	13.00
3-1/2	59583	25	4.000	3.250	15.00
4	59584	25	4.500	3.375	16.00
5	59585	20	5.563	3.625	24.00
6	59586	16	6.625	3.750	30.00



## 30° Elbows

Trade Size	System Part Number	Standard Package Quantity	Average O.D. (in)	Minimum Length (L) (in)	Radius (R) (in)
1/2	59561	50	0.840	1.500	4.00
3/4	59562	25	1.050	1.500	4.50
1	59563	25	1.315	1.875	5.75
1-1/4	59564	25	1.660	2.000	7.25
1-1/2	59565	25	1.900	2.000	8.25
2	59566	25	2.375	2.000	9.50
2-1/2	59567	20	2.875	3.000	10.50
3	59568	50	3.500	3.125	13.00
3-1/2	59569	25	4.000	3.250	15.00
4	59570	25	4.500	3.375	16.00
5	59571	20	5.563	3.625	24.00
6	59572	16	6.625	3.750	30.00



11.25° & 22.5° Standard Radius Elbows are available upon request



Item availability may vary by region.

NOTE: Special orders are non-cancelable, non-returnable and non-refundable.

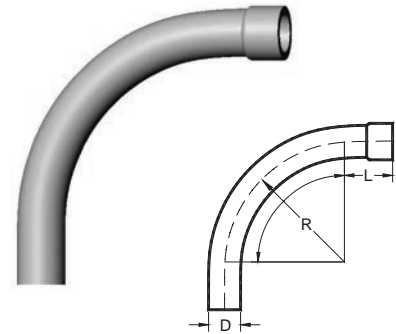
www.alliedeg.com

# PVC Schedule 40 - Standard Radius Elbows (Belled End)

Listed to UL 651

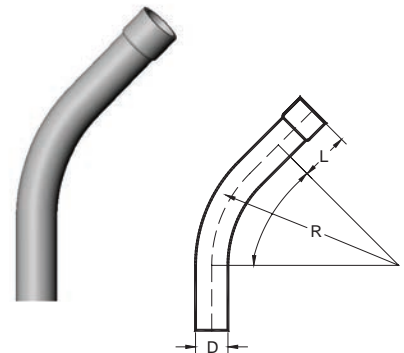
## 90° Elbows

Trade Size	System Part Number	Standard Package Quantity	Average O.D. (in)	Minimum Length (L) (in)	Radius (R) (in)
1/2	802752	50	0.840	1.500	4.00
3/4	802753	25	1.050	1.500	4.50
1	802754	25	1.315	1.875	5.75
1-1/4	802755	25	1.660	2.000	7.25
1-1/2	802756	25	1.900	2.000	8.25
2	802757	25	2.375	2.000	9.50
2-1/2	802758	50	2.875	3.000	10.50
3	802759	50	3.500	3.125	13.00
3-1/2	802761	25	4.000	3.250	15.00
4	802762	25	4.500	3.375	16.00
5	802763	20	5.563	3.625	24.00
6	802764	16	6.625	3.750	30.00



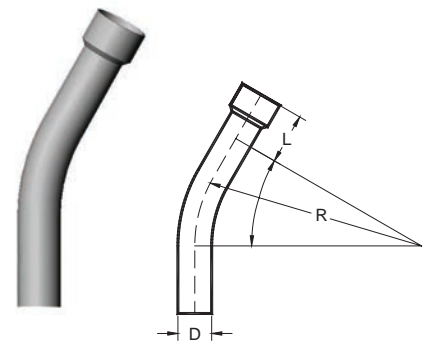
## 45° Elbows

Trade Size	System Part Number	Standard Package Quantity	Average O.D. (in)	Minimum Length (L) (in)	Radius (R) (in)
1/2	802765	50	0.840	1.500	4.00
3/4	802767	25	1.050	1.500	4.50
1	802768	25	1.315	1.875	5.75
1-1/4	802769	25	1.660	2.000	7.25
1-1/2	802770	25	1.900	2.000	8.25
2	802771	25	2.375	2.000	9.50
2-1/2	802772	50	2.875	3.000	10.50
3	802773	50	3.500	3.125	13.00
3-1/2	802774	25	4.000	3.250	15.00
4	802775	25	4.500	3.375	16.00
5	802776	20	5.563	3.625	24.00
6	802777	16	6.625	3.750	30.00



## 30° Elbows

Trade Size	System Part Number	Standard Package Quantity	Average O.D. (in)	Minimum Length (L) (in)	Radius (R) (in)
1/2	802778	50	0.840	1.500	4.00
3/4	802779	25	1.050	1.500	4.50
1	802780	25	1.315	1.875	5.75
1-1/4	802781	25	1.660	2.000	7.25
1-1/2	802782	25	1.900	2.000	8.25
2	802783	25	2.375	2.000	9.50
2-1/2	802784	20	2.875	3.000	10.50
3	802785	50	3.500	3.125	13.00
3-1/2	802786	25	4.000	3.250	15.00
4	802787	25	4.500	3.375	16.00
5	802788	20	5.563	3.625	24.00
6	802789	16	6.625	3.750	30.00



11.25° & 22.5° Standard Radius Elbows are available upon request

Item availability may vary by region.

NOTE: Special orders are non-cancelable, non-returnable and non-refundable.

[www.alliedeg.com](http://www.alliedeg.com)



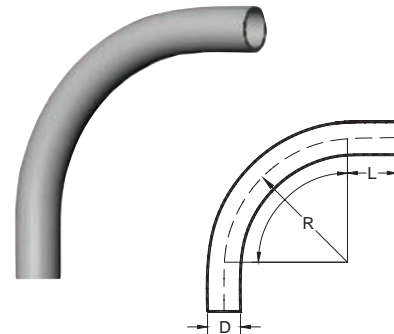
A PART OF **atkore** INTERNATIONAL

# PVC Schedule 80 - Standard Radius Elbows (Plain End)

Listed to UL 651

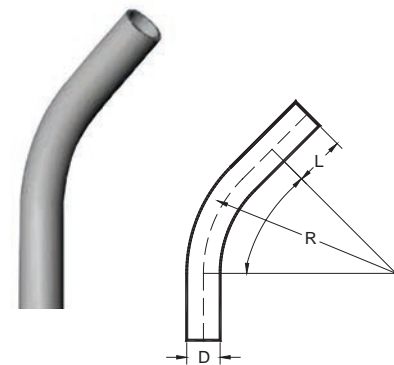
## 90° Elbows

Trade Size	System Part Number	Standard Package Quantity	Average O.D. (in)	Minimum Length (L) (in)	Radius (R) (in)
1/2	59012	50	0.840	1.500	4.00
3/4	59013	25	1.050	1.500	4.50
1	59014	25	1.315	1.875	5.75
1-1/4	59015	25	1.660	2.000	7.25
1-1/2	59016	25	1.900	2.000	8.25
2	59017	25	2.375	2.000	9.50
2-1/2	59018	50	2.875	3.000	10.50
3	59019	50	3.500	3.125	13.00
3-1/2	59020	25	4.000	3.250	15.00
4	59021	25	4.500	3.375	16.00
5	59022	20	5.563	3.625	24.00
6	59023	16	6.625	3.750	30.00



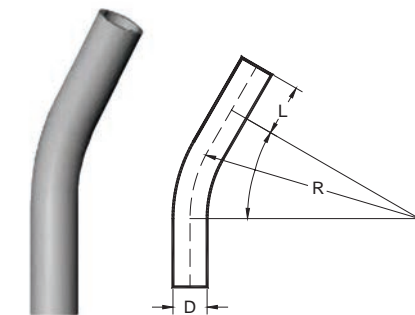
## 45° Elbows

Trade Size	System Part Number	Standard Package Quantity	Average O.D. (in)	Minimum Length (L) (in)	Radius (R) (in)
1/2	59000	50	0.840	1.500	4.00
3/4	59001	25	1.050	1.500	4.50
1	59002	25	1.315	1.875	5.75
1-1/4	59003	25	1.660	2.000	7.25
1-1/2	59004	25	1.900	2.000	8.25
2	59005	25	2.375	2.000	9.50
2-1/2	59006	50	2.875	3.000	10.50
3	59007	50	3.500	3.125	13.00
3-1/2	59008	25	4.000	3.250	15.00
4	59009	25	4.500	3.375	16.00
5	59010	20	5.563	3.625	24.00
6	59011	16	6.625	3.750	30.00



## 30° Elbows

Trade Size	System Part Number	Standard Package Quantity	Average O.D. (in)	Minimum Length (L) (in)	Radius (R) (in)
3/4	59065	25	1.050	1.500	4.50
1	59066	25	1.315	1.875	5.75
1-1/4	59067	25	1.660	2.000	7.25
1-1/2	59068	25	1.900	2.000	8.25
2	59069	25	2.375	2.000	9.50
2-1/2	59070	20	2.875	3.000	10.50
3	59071	50	3.500	3.125	13.00
4	59072	25	4.500	3.375	16.00
5	59073	20	5.563	3.625	24.00
6	59074	16	6.625	3.750	30.00



11.25° & 22.5° Standard Radius Elbows are available upon request



Item availability may vary by region.

NOTE: Special orders are non-cancelable, non-returnable and non-refundable.

www.alliedeg.com

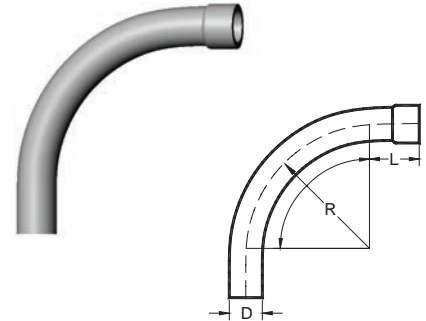


# PVC Schedule 80 - Standard Radius Elbows (Belled End)

Listed to UL 651

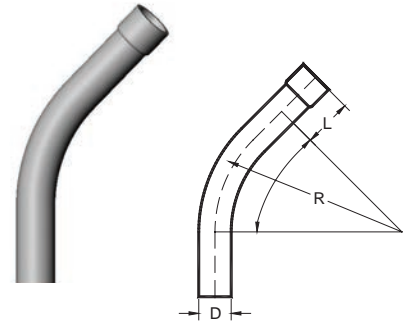
## 90° Elbows

Trade Size	System Part Number	Standard Package Quantity	Average O.D. (in)	Minimum Length (L) (in)	Radius (R) (in)
3/4	925610	25	1.050	1.500	4.50
1	924949	25	1.875	1.875	5.75
1-1/4	924954	25	1.660	2.000	7.25
2	924970	25	2.375	2.000	9.50
2-1/2	924977	50	2.875	3.000	10.50
3	924993	50	3.500	3.125	13.00
4	925006	25	4.500	3.375	16.00
5	925017	20	5.563	3.625	24.00
6	925028	16	6.625	3.750	30.00



## 45° Elbows

Trade Size	System Part Number	Standard Package Quantity	Average O.D. (in)	Minimum Length (L) (in)	Radius (R) (in)
1-1/2	903486	25	1.900	2.000	8.25
2	924967	25	2.375	2.000	9.50
2-1/2	924976	50	2.875	3.000	10.50
3	924990	50	3.500	3.125	13.00
4	925003	25	4.500	3.375	16.00
5	925015	20	5.563	3.625	24.00
6	925025	16	6.625	3.750	30.00



11.25°, 22.5° & 30° Standard Radius Elbows are available upon request

Item availability may vary by region.

NOTE: Special orders are non-cancelable, non-returnable and non-refundable.

[www.alliedeg.com](http://www.alliedeg.com)



A PART OF **atkore** INTERNATIONAL

# PVC Schedule 40 - Special Radius Elbows (Plain End)

Listed to UL 651

Trade Size	Degree	Standard Package Quantity	System Part Number					
			18" Radius	24" Radius	30" Radius	36" Radius	48" Radius	60" Radius
3/4	90	25	-	924695	-	-	-	-
1	90	25	59701	59708	59717	59727	59738	-
	45		-	925489	-	-	-	-
1-1/4	90	25	59702	59709	59718	59728	59739	-
	45		925500	-	59766	925502	-	-
	22-1/2		-	59855	-	59876	-	-
1-1/2	90	25	59703	59710	59719	59729	59740	-
	45		925510	59758	-	59777	-	-
	30		-	59806	-	-	-	-
	22-1/2		-	59856	-	-	-	-
2	90	50	59704	59711	59720	59730	59741	924766
	45		59752	59759	59768	59778	59789	-
	30		59800	59807	-	59826	59837	-
	22-1/2		59848	59857	59867	59878	-	-
	11-1/4		925962	-	-	925956	-	-
2-1/2	90	50	59705	59712	59721	59731	59742	-
	45		59753	59760	-	59779	59790	-
	30		-	-	-	59827	-	-
	22-1/2		59849	-	59868	-	-	-
	11-1/4		925958	-	-	-	-	-



Item availability may vary by region.

NOTE: Special orders are non-cancelable, non-returnable and non-refundable.

[www.alliedeg.com](http://www.alliedeg.com)

# PVC Schedule 40 - Special Radius Elbows (Plain End)

Listed to UL 651

Trade Size	Degree	Standard Package Quantity	System Part Number					
			18" Radius	24" Radius	30" Radius	36" Radius	48" Radius	60" Radius
3	90	50	59706	59713	59722	59732	59743	924801
	45		59754	59761	-	59780	59791	-
	30		-	-	-	59828	-	-
	22-1/2		59850	59859	59869	59880	-	-
	11-1/4		-	924784	-	924786	-	-
3-1/2	90	25	-	59714	59723	59733	59744	-
	45		-	-	59771	59781	-	-
	30		-	-	-	59829	-	-
	22-1/2		-	59860	-	-	-	-
4	90	25	-	59715	59724	59734	59745	828633
	45		-	59763	59772	59782	59793	924838
	30		-	59811	-	59830	59841	-
	22-1/2		-	59861	59871	59882	59893	-
	11-1/4		-	924129	-	924815	-	-
5	90	20	NOT AVAILABLE	59598	59725	59735	59746	866276
	45			59585	-	59783	59794	-
	30			59571	-	59831	59842	924146
	22-1/2			822335	59872	59883	59864	-
	11-1/4			924142	-	924857	-	924859
6	90	16	NOT AVAILABLE	59599	59736	59747	924905	
	45			59586	59784	59795	-	
	30			59572	59832	59843	924147	
	22-1/2			813682	59884	59895	-	
	11-1/4			884262	925888	-	-	
8*	90	8	NOT AVAILABLE	894493	-	-	-	
	45			894494	-	-	-	
	30			924132	-	-	-	
	22-1/2			925954	-	-	-	

\*UL 651 does not include 8"

Item availability may vary by region.

NOTE: Special orders are non-cancelable, non-returnable and non-refundable.

[www.alliedeg.com](http://www.alliedeg.com)



A PART OF atkore

# PVC Schedule 40 - Special Radius Elbows (Belled End)

Listed to UL 651

Trade Size	Degree	Standard Package Quantity	System Part Number					
			18" Radius	24" Radius	30" Radius	36" Radius	48" Radius	60" Radius
3/4	90	25	924693	924694	-	-	-	-
	45		924691	-	-	-	-	-
1	90	25	882688	864955	-	882690	882691	-
	45		924706	924707	-	924708	-	-
	30		-	-	-	902710	-	-
	22-1/2		924702	-	-	-	-	-
	11-1/4		924698	924699	-	924700	-	-
1-1/4	90	25	882708	867654	924721	867655	882710	-
	45		924717	924718	-	924719	925503	-
	22-1/2		925494	924713	-	924714	-	-
	11-1/4		-	926369	-	-	-	-
1-1/2	90	25	882724	867657	-	867658	882726	925515
	45		924731	867656	-	924732	924733	-
	22-1/2		924726	924727	-	924728	-	-
	11-1/4		924722	924723	-	925504	-	-
2	90	50	870686	862295	878928	862294	878943	924765
	45		878919	868000	878929	866991	878944	924755
	30		882740	882741	882742	882743	882744	-
	22-1/2		882745	882746	-	873478	882748	924748
	11-1/4		924738	924739	-	924740	925519	-
2-1/2	90	50	882750	864956	878930	873477	878945	-
	45		878921	878924	878931	878939	-	-
	22-1/2		882756	882757	-	882759	-	-



Item availability may vary by region.

NOTE: Special orders are non-cancelable, non-returnable and non-refundable.

[www.alliedeg.com](http://www.alliedeg.com)

# PVC Schedule 40 - Special Radius Elbows (Belled End)

Listed to UL 651

Trade Size	Degree	Standard Package Quantity	System Part Number					
			18" Radius	24" Radius	30" Radius	36" Radius	48" Radius	60" Radius
3	90	50	878922	865575	878982	865576	878947	924800
	45		878923	878925	878933	870397	878948	924795
	30		882761	882762	-	882764	882765	-
	22-1/2		882766	882767	882768	875028	882769	924792
	11-1/4		-	-	-	924785	925544	-
3-1/2	90	25	-	924807	-	878940	-	-
	45		-	878927	924099	878941	-	-
	30		-	924104	-	-	-	-
4	90	25	924845	864957	864454	862293	817088	882780
	45		924098	864375	878936	866990	817089	924837
	30		924103	880617	882781	882782	882783	924833
	22-1/2		-	864376	882784	873476	818391	924831
	11-1/4		924812	867999	-	924814	924816	-
5	90	20	NOT AVAILABLE	802763	-	873626	864453	882787
	45			802776	878938	875065	817433	924871
	30			802788	-	882789	893107	-
	22-1/2			924862	882791	873693	882790	924866
	11-1/4			924853	-	870398	924858	925575
6	90	16	NOT AVAILABLE	-	802764	875754	873695	924904
	45			-	802777	878942	878951	924899
	30			-	802789	882792	882793	924896
	22-1/2			-	924889	882795	882796	924892
	11-1/4			-	924878	882797	882825	924882
8*	90	8	NOT AVAILABLE				924910	924911
	45		NOT AVAILABLE				924909	-
	22-1/2		NOT AVAILABLE				924907	-

\* UL 651 does not include 8"

Item availability may vary by region.

NOTE: Special orders are non-cancelable, non-returnable and non-refundable.

[www.alliedeg.com](http://www.alliedeg.com)



A PART OF **atkore** INTERNATIONAL

# PVC Schedule 80 - Special Radius Elbows (Plain End)

Listed to UL 651

Trade Size	Degree	Standard Package Quantity	System Part Number					
			18" Radius	24" Radius	30" Radius	36" Radius	48" Radius	60" Radius
1	90	25	924951	808831	-	808835	808845	-
1-1/4	90	25	-	808854	-	808858	808862	-
1-1/2	90	25	805133	925998	-	809049	809053	-
2	90	50	809057	805916	925892	597394	597493	-
	45		809058	809061	925896	809067	-	-
	22-1/2		809060	926003	-	-	925631	-
	11-1/4		-	-	-	926020	-	-
2-1/2	90	50	597043	597123	-	597391	809081	-
	45		-	809078	-	-	-	-
	22-1/2		809074	-	-	-	-	-
3	90	50	597063	597152	-	597392	597494	924251
	45		809085	809088	-	809091	-	-
	22-1/2		809087	-	-	809093	-	-
3-1/2	90	25	-	-	-	924247	-	-
4	90	25	-	597153	-	597393	597492	924253
	45		-	809205	-	597823	597944	924264
	30		-	809206	-	809208	809210	-
	22-1/2		-	809207	-	809209	809211	-
5	90	20	NOT AVAILABLE	59022	-	597395	597495	924254
	45			59010	-	597824	597946	924265
	30			59073	-	809212	-	-
	22-1/2			867700	-	809213	809215	-
6	90	16	NOT AVAILABLE	59023	809249	597491	925032	
	45			59011	809250	597945	-	
	30			59074	809251	809253	924277	
	22-1/2			-	809252	809254	925907	
	11-1/4			-	926033	-	926035	



Item availability may vary by region.

NOTE: Special orders are non-cancelable, non-returnable and non-refundable.

[www.alliedeg.com](http://www.alliedeg.com)

# PVC Schedule 80 - Special Radius Elbows (Belled End)

Listed to UL 651

Trade Size	Degree	Standard Package Quantity	System Part Number					
			18" Radius	24" Radius	30" Radius	36" Radius	48" Radius	60" Radius
1-1/2	90	25	-	-	-	926000	-	-
2	90	50	-	926007	-	926011	925634	-
	45		-	924968	-	924969	-	-
	22-1/2		-	926024	-	-	-	-
	11-1/4		-	925875	-	-	-	-
2-1/2	90	50	-	925761	926010	926012	925645	-
3	90	50	925657	926009	925658	926013	924996	925659
	45		-	924991	-	924992	925654	-
	30		-	924988	-	-	-	-
	22-1/2		924981	926025	925648	924983	924984	-
	11-1/4		-	925646	-	925647	-	-
4	90	25	-	925008	925673	926014	925010	925012
	45		-	925669	-	925004	925005	925672
	22-1/2		-	926026	-	926027	925000	925667
	11-1/4		-	-	-	925661	924998	-
5	90	20	NOT AVAILABLE	925017	-	925019	925020	-
	45			925015	-	925016	925684	925685
	22-1/2			-	-	925014	-	-
6	90	16	NOT AVAILABLE	-	925028	-	925030	925031
	45			-	925025	925026	925027	925694
	22-1/2			-	925022	925023	925024	-

Item availability may vary by region.

NOTE: Special orders are non-cancelable, non-returnable and non-refundable.

[www.alliedeg.com](http://www.alliedeg.com)



A PART OF atkore

# PVC Duct - Special Radius Sweeps (Belled End)

Trade Size	Degree	Standard Package Quantity	System Part Number					
			18" Radius	24" Radius	30" Radius	36" Radius	48" Radius	60" Radius
1	45	25	903448	903449	-	-	-	-
	90		924586	924587	-	924588	-	-
1-1/2	90	25	924180	924592	-	924593	924185	924187
	45		924590	924591	-	924191	-	-
	30		924589	-	-	-	-	-
2	90	50	924610	924611	-	924612	924613	924614
	45		924605	924606	-	924607	924608	924609
	22-1/2		924599	924600	-	924601	924602	924603
	11-1/4		925448	924594	-	924595	924596	924597
3	90	50	924629	924630	-	924631	924632	924633
	45		924624	924625	-	924626	924627	924628
	22-1/2		924618	924619	-	924620	-	924622
	11-1/4		-	925984	-	924616	-	925455
4	90	25	-	924651	-	924652	924653	924654
	45		-	924646	-	924647	924648	924649
	30		-	924644	-	924645	-	-
	22-1/2		924639	924640	-	924641	924642	924643
	11-1/4		-	924635	-	925986	925989	924638
5	90	20	NOT AVAILABLE	926468	-	924667	924668	924669
	45			924662	925476	924663	924664	924665
	30			-	-	924210	924661	-
	22-1/2			924657	-	924658	924659	924660
	11-1/4			-	925985	925987	925990	924656
6	90	16	NOT AVAILABLE	-	-	924681	924682	924683
	45			-	-	924678	924679	924680
	30			-	-	924211	-	-
	22-1/2			924230	924674	924675	925981	
	11-1/4			-	925988	925481	924672	

- These sweeps are made from DB 120 bend stock
- These are suitable to be used with any EB/DB duct products

Item availability may vary by region.

NOTE: Special orders are non-cancelable, non-returnable and non-refundable.



## PVC C-Duct - Special Radius Sweeps (Belled End)

Trade Size	Degree	Standard Package Quantity	System Part Number			
			24" Radius	36" Radius	48" Radius	60" Radius
4	90	25	925052	925054	924233	925057
	45		925046	925048	924234	925051
	22-1/2		925039	925041	924238	925044
	11-1/4		-	924240	924241	925037



Item availability may vary by region.

NOTE: Special orders are non-cancelable, non-returnable and non-refundable.

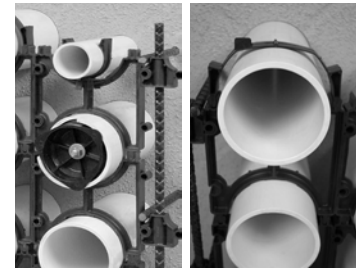
[www.alliedeg.com](http://www.alliedeg.com)

# Spacers

## Intermediate Spacers

Trade Size	System Part Number	Standard Package Quantity
2 x 1-1/2	1501	350
2 x 2	1521	300
2 x 3	1541	200
3 x 1-1/2	1561	225
3 x 2	1581	200
3 x 3	1601	125
4 x 1	1201	200
4 x 1-1/2	1851	150
4 x 2	1241	125
4 x 3	1891	90
5 x 1-1/2	1281	100
5 x 2	1301	100
5 x 3	1911	80
6 x 1-1/2	1321	100
6 x 2	1341	90
6 x 3	1621	70
8 x 2	1981	60

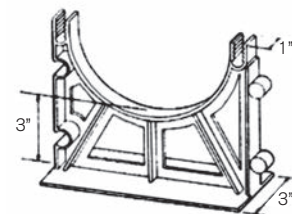
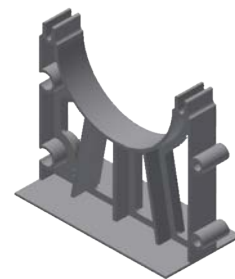
- Standard package quantity may vary by region.
- Spacer illustrations for reference only. Actual spacer structure may vary.



## Base Spacers

Trade Size	System Part Number	Standard Package Quantity
2 x 1-1/2	1511	250
2 x 2	1531	225
2 x 3	1551	225
3 x 1-1/2	1571	175
3 x 2	1591	155
3 x 3	1611	150
4 x 1	1211	175
4 x 1-1/2	1861	140
4 x 2	1251	140
4 x 3	1901	120
5 x 1-1/2	1291	120
5 x 2	1311	120
5 x 3	1921	100
6 x 1-1/2	1331	100
6 x 2	1351	100
6 x 3	1631	95
8 x 2	1991	50

- Standard package quantity may vary by region.
- Spacer illustrations for reference only. Actual spacer structure may vary.



Item availability may vary by region.

NOTE: Special orders are non-cancelable, non-returnable and non-refundable.

[www.alliedeg.com](http://www.alliedeg.com)

# PVC Couplings and Adapters

## Couplings

Trade Size	System Part Number	Standard Package Quantity
1/2	59601	200
3/4	59602	125
1	59603	70
1-1/4	59604	40
1-1/2	59605	30
2	59606	40
2-1/2	59607	20
3	59608	40
3-1/2	59609	30
4	59610	20
5	59611	10
6	59612	8
8*	924576	1



## Female Adapters

Trade Size	System Part Number	Standard Package Quantity
1/2	59630	200
3/4	59631	125
1	59632	70
1-1/4	59633	40
1-1/2	59634	30
2	59635	40
2-1/2	59636	20
3	59637	40
3-1/2	59638	30
4	59639	20
5	59640	10
6	59641	8
8*	59642	2



## Terminal Adapters

Trade Size	System Part Number	Standard Package Quantity
1/2	59615	200
3/4	59616	125
1	59617	70
1-1/4	59618	40
1-1/2	59619	30
2	59620	40
2-1/2	59621	20
3	59622	40
3-1/2	59623	30
4	59624	20
5	59625	10
6	59626	8
8*	59627	2



\* Fitting illustration for reference only

\* UL 651 does not include 8"

Item availability may vary by region.

NOTE: Special orders are non-cancelable, non-returnable and non-refundable.

[www.alliedeg.com](http://www.alliedeg.com)

# PVC Couplings and Adapters

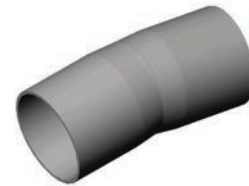
## Long Line Couplings

Trade Size	System Part Number	Standard Package Quantity
1-1/2	924066	25
2	925111	20
2-1/2	925112	25
3	925113	25
4	925114	15
5	925115	8
6	925116	4



## 5° Couplings - Bell x Bell

	Trade Size	System Part Number	Standard Package Quantity
DB	1-1/2	924518	50
	2	924519	50
	3	924521	30
	4	924523	30
	5	924525	15
	6	924527	10
Sch40	2	802731	50
	2-1/2	802732	30
	3	802733	30
	3-1/2	802734	30
	4	802735	30
	5	802736	15
	6	802737	10
C-duct	4	925351	30



## 5° Couplings - Bell x Spigot

	Trade Size	System Part Number	Standard Package Quantity
DB	1-1/2	924168	50
	2	924520	50
	3	924522	30
	4	924524	30
	5	924526	15
	6	924528	10
Sch40	2	924348	50
	2-1/2	925252	30
	3	924349	30
	3-1/2	924068	30
	4	924350	30
	5	924352	15
	6	924353	10



Item availability may vary by region.

NOTE: Special orders are non-cancelable, non-returnable and non-refundable.

# PVC Couplings and Adapters

## Swedge Couplings

	Trade Size	System Part Number	Standard Package Quantity
DB	1-1/2	924543	50
	2	924544	50
	3	924152	30
	4	924153	30
	5	924154	15
	6	924155	10
Sch40	1	924371	50
	1-1/4	924069	50
	1-1/2	895123	50
	2	895124	50
	2-1/2	895125	30
	3	895126	30
	4	895127	30
	5	895128	15
	6	895129	10
Sch80	2	924570	50
	3	924571	30
C-Duct	4 C-Duct to 4 Duct	925352	30
	4	924578	30



Item availability may vary by region.

NOTE: Special orders are non-cancelable, non-returnable and non-refundable.

[www.alliedeg.com](http://www.alliedeg.com)

# PVC Couplings and Adapters

## Repair Coupling Sleeves

	Trade Size	System Part Number	Standard Package Quantity
DB	1-1/2	924529	50
	2	924530	50
	3	924531	30
	4	924532	30
	5	924533	15
	6	924534	10
Sch40	1	924354	50
	1-1/4	924355	50
	1-1/2	924356	50
	2	924357	50
	2-1/2	924358	30
	3	924359	30
	4	924360	30
	5	924361	15
C-Duct	6	924362	10
	4	924242	30



## Repair Coupling Sleeves - 12 inch lengths

	Trade Size	System Part Number	Standard Package Quantity
Sch40	1-1/4	924070	30
	1-1/2	924071	30
	2	924072	30
	2-1/2	924073	25
	3	924074	25
	3-1/2	924075	25
	4	924076	15
	5	924077	8
	6	924078	5



## Swedge Reducers - Spigot x Spigot

	Trade Size	System Part Number	Standard Package Quantity
DB	2-1/2 x 2	924535	100
	3 x 2	924536	80
	3 x 2-1/2	924537	80
	4 x 3	924539	60
	5 x 4	924540	36
	6 x 5	924542	36
Sch40	1-1/2 x 1	924363	25
	2 x 1-1/2	924364	25
	2-1/2 x 2	924365	80
	3 x 2	924366	80
	3 x 2-1/2	924367	80
	4 x 3	924368	60
	5 x 4	924369	36
Sch80	6 x 5	924370	36
	3 x 2	924568	80
	4 x 3	924569	60
	5 x 4	925350	36



Item availability may vary by region.

NOTE: Special orders are non-cancelable, non-returnable and non-refundable.

## PVC Expansion Couplings and Meter Risers

### Expansion Couplings - Two Piece

Trade Size	System Part Number	Standard Package Quantity
1/2	789646	25
3/4	789647	10
1	789648	10
1-1/4	789649	5
1-1/2	789650	5
2	789651	25
2-1/2	789652	12
3	789653	12
3-1/2	789654	6
4	789655	6
5	789656	1
6	789657	1



### Expansion Couplings - One Piece

Trade Size	System Part Number	Standard Package Quantity
1/2	924549	50
3/4	924061	50
1	924062	50
1-1/4	924063	25
1-1/2	924064	25
2	924065	25



### 2' Slip Meter Risers Schedule 40

Trade Size	System Part Number	Standard Package Quantity
2	924082	1
2-1/2	924083	1
3	924084	1
4	924085	1



### 7' Slip Meter Risers Schedule 40

Trade Size	System Part Number	Standard Package Quantity
2	924086	1
2-1/2	924087	1



### 7' Meter Risers Schedule 80

Trade Size	System Part Number	Standard Package Quantity
2	924088	1

Item availability may vary by region.

NOTE: Special orders are non-cancelable, non-returnable and non-refundable.

[www.alliedeg.com](http://www.alliedeg.com)

# PVC Accessories

## Pipe Straps - PVC - 2 Hole



Trade Size	System Part Number	Standard Package Quantity
1/2	59280	300
3/4	59281	200
1	59282	200
1-1/4	59283	200
1-1/2	59284	200
2	59285	200
2-1/2	802839	100
3	802840	100
4	802842	100

## Pulling Elbows



Trade Size	System Part Number	Standard Package Quantity
1/2	52400	75
3/4	52401	50
1/2 & 3/4*	925119	75

\*Fits 1/2" and 3/4" PVC pipe

Includes:

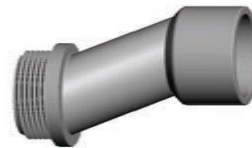
- 1.) 3/4" pull elbow
- 2.) 3/4" socket x 1/2" socket reducer bushing

## Service Entrance Heads



Trade Size	System Part Number	Standard Package Quantity
1/2	59269	10
3/4	59270	10
1	59271	20
1-1/4	59272	20
1-1/2	59273	20
2	59274	5
2-1/2	59275	5
3	59276	5
3-1/2	59277	5
4	59278	1

## Meter Offsets



Trade Size	System Part Number	Standard Package Quantity
1-1/4	59193	15
2	59194	8

Item availability may vary by region.

NOTE: Special orders are non-cancelable, non-returnable and non-refundable.



# PVC Access Fittings

## Type LB



Trade Size	System Part Number	Standard Package Quantity
1/2	59200	25
3/4	59201	15
1	59202	10
1-1/4	59203	10
1-1/2	59204	10
2	59205	5
2-1/2	59206	5
3	59207	5
3-1/2	59208	4
4	59209	4

## Type LL



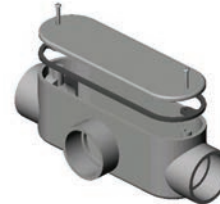
Trade Size	System Part Number	Standard Package Quantity
1/2	59210	25
3/4	59211	15
1	59212	10
1-1/4	59213	10
1-1/2	59214	10
2	59215	5
2-1/2	59216	5
3	59217	5
3-1/2	59218	4
4	59219	4

## Type LR



Trade Size	System Part Number	Standard Package Quantity
1/2	59220	25
3/4	59221	15
1	59222	10
1-1/4	59223	10
1-1/2	59224	10
2	59225	5
2-1/2	59226	5
3	59227	5
3-1/2	59228	4
4	59229	4

## Type T



Trade Size	System Part Number	Standard Package Quantity
1/2	59230	25
3/4	59231	15
1	59232	10
1-1/4	59233	10
1-1/2	59234	10
2	59235	5
2-1/2	59236	2
3	59237	2
3-1/2	59238	1
4	59239	1

Item availability may vary by region.

NOTE: Special orders are non-cancelable, non-returnable and non-refundable.

# PVC Access Fittings & PVC Junction Boxes

## Type C



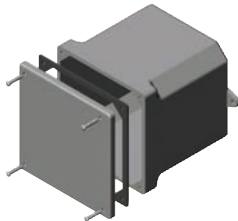
Trade Size	System Part Number	Standard Package Quantity
1/2	59260	25
3/4	59261	15
1	59262	10
1-1/4	59263	10
1-1/2	59264	10
2	59265	5
2-1/2	59266	5
3	59267	5
3-1/2	59268	4
4	59279	4

## Type E



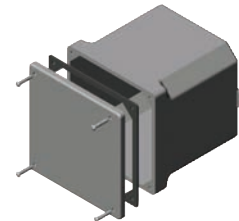
Trade Size	System Part Number	Standard Package Quantity
1/2	59090	25
3/4	59091	15
1	59092	10
1-1/4	59093	10
1-1/2	59094	10
2	59095	5
2-1/2	59296	5
3	59297	5
3-1/2	59298	4
4	59299	4

## Junction Boxes with Self Tapping Screws



Trade Size	System Part Number	Standard Package Quantity
4x4x2	59250	10
4x4x4	59251	10
4x4x6	59252	10
5x5x2	59253	10
6x6x4	59254	10
6x6x6	59255	5
8x8x4	59256	5
8x8x7	59257	4
12x12x4	59258	2
12x12x6	59259	2
12x12x8	802944	3

## Junction Boxes with Brass Screw Inserts



Trade Size	System Part Number	Standard Package Quantity
4x4x2	925085	15
4x4x4	925086	10
4x4x6	925087	8
5x5x2	925088	12
6x6x4	925089	15
6x6x6	925090	4
8x8x4	925091	4
8x8x7	925092	4
12x12x4	925082	2
12x12x6	925083	4
12x12x8	925084	3
12x12x12	924059	1

Item availability may vary by region.

NOTE: Special orders are non-cancelable, non-returnable and non-refundable.

# PVC Junction Boxes & Accessories

## Octagonal Boxes

Trade Size	Description	System Part Number	Standard Package Quantity
4 x 1-1/2	w/3/4 hub	802804	15
4 x 2	w/1 hub	802805	12



## Floor Box Base

Trade Size	System Part Number	Standard Package Quantity
1	33758	5



- Includes:
  - 1.) Temporary protective cover
  - 2.) Two 1" x 3/4" reducer plugs
  - 3.) Three 3/4" x 1/2" reducer plugs

## Octagonal Box Rings

Trade Size	Description	System Part Number	Standard Package Quantity
1	box ring	802808	20
2	box ring	802809	20



## Floor Box Adapter Kit

System Part Number	Standard Package Quantity
924080	10



- Adapts metal cover to floor box
- Includes:
  - 1.) Leveling ring
  - 2.) Metal cover adapter
  - 3.) 2 Gaskets

## Floor Box Cover - Duplex Receptacle

Description	System Part Number	Standard Package Quantity
Brown	925059	10
Gold	925060	10



## Floor Box Divider Kit

System Part Number	Standard Package Quantity
924081	10



- Adapts metal cover to floor box
- Includes:
  - 1.) Expandable base divider
  - 2.) 1-1/4" ENT riser tube
  - 3.) Upper divider

## Floor Box Leveling Ring

Description	System Part Number	Standard Package Quantity
Universal	925742	10

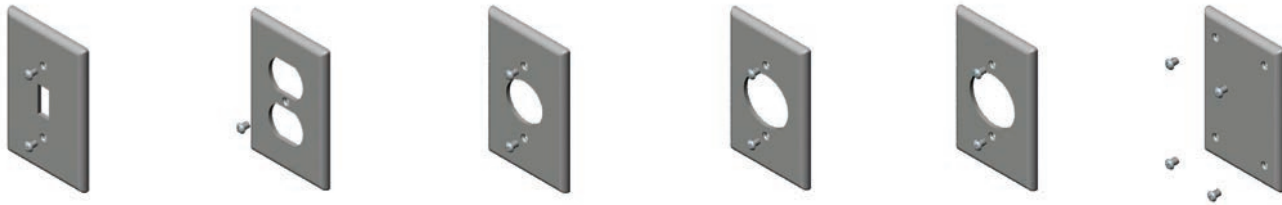


Item availability may vary by region.

NOTE: Special orders are non-cancelable, non-returnable and non-refundable.

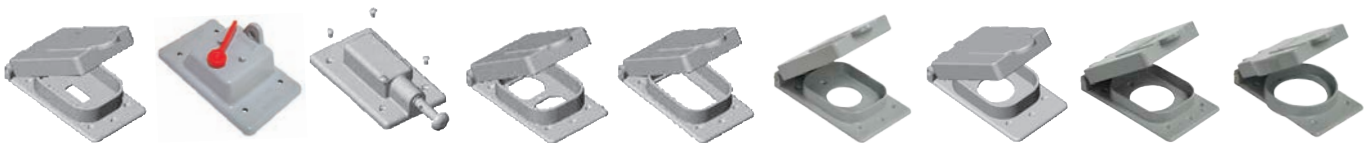
# PVC Cover Plates & Weatherproof Box Covers

## Single Gang Cover Plates



Description	System Part Number	Standard Package Quantity
Toggle Switch	802883	100
Duplex Receptacle	924581	100
Single Receptacle - 15 amps	924314	100
Single Receptacle - 20 amps	802885	100
Single Receptacle - 30 amps	924322	100
Single Blank w/Gasket	925076	50

## Single Gang Cover - Weatherproof



Description	System Part Number	Standard Package Quantity
Toggle Switch	925744	10
Toggle Switch w/ Lock	925140	10
Plunger Switch	924041	10
Duplex Receptacle	925146	10
GFI Receptacle	925148	10
Receptacle - 15 Amp	925149	10
Receptacle - 20 Amp	925150	10
Receptacle - 30 Amp	925151	10
Receptacle - 50 Amp	925152	10

## Double Gang Cover Plates



Description	System Part Number	Standard Package Quantity
Double Switch	925126	50
Combo Switch/Receptacle	925128	50
Double Duplex	924582	50
Double Blank w/Gasket	924574	50

Item availability may vary by region.

NOTE: Special orders are non-cancelable, non-returnable and non-refundable.

# PVC Cover Plates & Weatherproof Box Covers

## Double Gang Cover - Weatherproof



Description	System Part Number	Standard Package Quantity
Double Toggle Switch Cover w/lock	802906	10
Switch and Duplex Receptacle	924047	10
Switch and GFI Receptacle	924048	10
Switch and Receptacle 1.375	924052	10

• Fits F Series outlet boxes



Description	System Part Number	Standard Package Quantity
Double GFI Receptacle	924045	10
Double Duplex Receptacle	924046	10

• Fits F Series outlet boxes

## Triple Gang Cover Plates



Description	Part Number	Unit Quantity
Triple Switch	802909	50
Double Switch/Single Receptacle	802914	50
Single Switch/Double Receptacle	924049	50
Triple Receptacle	802916	50
Triple Blank w/gasket	802917	50

Item availability may vary by region.

NOTE: Special orders are non-cancelable, non-returnable and non-refundable.

# PVC Exposed Boxes - Single Gang

## FSE



Trade Size	System Part Number	Standard Package Quantity
1/2	59240	10
3/4	59241	10
1	59242	10

## FSS



Trade Size	System Part Number	Standard Package Quantity
1/2	59243	10
3/4	59244	10
1	924025	10

## FSE - Deep



Trade Size	System Part Number	Standard Package Quantity
1	925942	10
1/2 - 3/4 - 1	925075	10

## FSCC



Trade Size	System Part Number	Standard Package Quantity
1/2	59345	10
3/4	59346	10
1	59347	10

## FSC



Trade Size	System Part Number	Standard Package Quantity
1/2	59246	10
3/4	59247	10
1	59248	10

## FD - Deep



Trade Size	System Part Number	Standard Package Quantity
Blank	925062	10

## FSC - Deep



Trade Size	System Part Number	Standard Package Quantity
1/2 - 3/4 - 1	925071	10

NOTE: Special orders are non-cancelable, non-returnable and non-refundable.

# PVC Exposed Boxes - Double Gang

## FSE



Trade Size	System Part Number	Standard Package Quantity
1/2	924026	5
3/4	924027	5
1	924028	5
1/2 - 3/4 - 1	925739	5

## FSS



Trade Size	System Part Number	Standard Package Quantity
1/2	802864	5
3/4	802865	5
1	59348	5
1/2 - 3/4 - 1	925740	5

## FSC



Trade Size	System Part Number	Standard Package Quantity
1/2	802867	5
3/4	802868	5
1	802869	5
1/2 - 3/4 - 1	925068	5

## FSCC



Trade Size	System Part Number	Standard Package Quantity
1/2	802870	5
3/4	802871	5
1	59349	5
1/2 - 3/4 - 1	925070	5

## FD - Deep



Trade Size	System Part Number	Standard Package Quantity
Blank	59155	5

Item availability may vary by region.

NOTE: Special orders are non-cancelable, non-returnable and non-refundable.

# PVC Exposed Boxes - Triple Gang

## FSE



Trade Size	System Part Number	Standard Package Quantity
1/2	802878	5
3/4	802879	5
1	802880	5
1/2 - 3/4 - 1	925074	10

## FSC



Trade Size	System Part Number	Standard Package Quantity
1/2	802874	5
3/4	802876	5
1	59146	5

## FD - Deep



Trade Size	System Part Number	Standard Package Quantity
Blank	802881	5

Item availability may vary by region.

NOTE: Special orders are non-cancelable, non-returnable and non-refundable.



# PVC Fittings - Miscellaneous

## Caps

Trade Size	System Part Number	Standard Package Quantity
1/2	59645	100
3/4	59646	100
1	59647	50
1-1/4	59648	25
1-1/2	59649	25
2	59125	50
2-1/2	59126	25
3	59127	25
3-1/2	59131	25
4	59128	25
5	59129	25
6	59130	10
8	924585	1



## Poly Plugs

Trade Size	System Part Number	Standard Package Quantity
1	925133	100
1-1/4	925134	100
1-1/2	925135	100
2	59651	100
2-1/2	925132	100
3	59653	80
3-1/2	925137	80
4	59655	50
5	59656	40
6	59657	30
8	925138	12



## Reducer Bushings

Trade Size	System Part Number	Standard Package Quantity
3/4 x 1/2	59897	100
1 x 1/2	802738	100
1 x 3/4	59899	100
1-1/4 x 3/4	802739	50
1-1/4 x 1	59901	50
1-1/2 x 1	802740	25
1-1/2 x 1-1/4	59903	50
2 x 1	802741	50
2 x 1-1/4	802742	25
2 x 1-1/2	59905	25
2-1/2 x 2	59906	25
3 x 2	802743	25
3 x 2-1/2	59909	25
4 x 2	802744	15
4 x 3	59908	20
4 x 3-1/2	59910	20



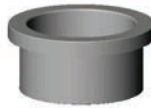
## Expandable Plugs

Trade Size	System Part Number	Standard Package Quantity
1	925094	50
1-1/4	925095	50
1-1/2	925096	50
2	925097	50
2-1/2	925098	30
3	925100	30
4	925104	30
5	925106	20



## Junction Box Adapters

Trade Size	System Part Number	Standard Package Quantity
1/2	33715	100
3/4	33716	100
1	33717	100
1-1/4	33718	50
1-1/2	33719	50
2	33720	25
2-1/2	33721	10
3	33722	10
3-1/2	33723	10
4	33724	10



## End Bells

Trade Size	System Part Number	Standard Package Quantity
1/2	59673	100
3/4	59674	100
1	59675	50
1-1/4	59676	50
1-1/2	59677	50
2	59678	40
2-1/2	59679	30
3	59680	50
3-1/2	59681	50
4	59682	50
5	59683	25
6	59684	15
8	59685	1



## Threaded Reducer Bushings

Trade Size	System Part Number	Standard Package Quantity
3/4 x 1/2	924056	600
1 x 1/2	924058	300
1 x 3/4	924057	300



Item availability may vary by region.

NOTE: Special orders are non-cancelable, non-returnable and non-refundable.

# PVC Fittings - Solvent Cement/Primer/Cleaner

	Size	System Part Number	Standard Package Quantity
<b>Cement - Medium Body - Clear</b>	1/2 Pint	925353	24
	Pint	925354	12
	Quart	895092	12
	Gallon	925356	6
<b>Cement - Medium Body - Gray</b>	Pint	925357	12
	Quart	925358	12
	Gallon	925359	6
<b>Cement - Regular Body - Clear</b>	1/2 Pint	895133	24
	Pint	895091	12
	Quart	926051	12
<b>All Weather Cement - Medium Body - Clear</b>	Pint	926054	12
	Quart	926055	12
<b>All Weather Cement - Medium Body - Blue</b>	Pint	924579	12
	Quart	924580	12
<b>Primer - Clear</b>	Pint	926040	12
	Quart	813087	12
<b>Primer - Purple</b>	1/2 Pint	926042	24
	Pint	926043	12
	Quart	925118	12
<b>Cleaner</b>	Pint	926037	12
	Quart	926038	12

Item availability may vary by region.

NOTE: Special orders are non-cancelable, non-returnable and non-refundable.

## Warranty

**Warranties.** Seller warrants the products will meet Underwriter's Laboratory (UL) specifications if such products are UL listed. No warranty is given for products or components that have been (i) manufactured by companies other than Seller; (ii) subject to misuse, improper installation, corrosion, or negligence; (iii) disassembled, modified or repaired by unauthorized persons; (iv) used in any manner contrary to Seller's instructions or recommendations; or (v) subject to (1) corrosion beyond normal weathering; (2) corrosion caused by disruption of any product coating after production; (3) corrosion occurring at points in the product that have been drilled, cut or welded; or (4) corrosion occurring in unusual or highly corrosive soil, environmental or industrial conditions (in case of corrosion under this subsection (v)(4), Seller's limited obligation is to ensure that the product complies with its published specifications). SELLER DISCLAIMS ALL OTHER WARRANTIES, WHETHER EXPRESS OR IMPLIED, INCLUDING, WITHOUT LIMITATION, ANY WARRANTY OF MERCHANTABILITY OR FITNESS FOR A PARTICULAR PURPOSE, ANY WARRANTY THAT THE PRODUCTS WILL CONFORM TO ANY SAMPLES, ANY WARRANTY THAT THE PRODUCTS WILL NOT DISCOLOR OR THE TEXTURE OR FINISH WILL NOT CORRODE OR DETERIORATE, ANY WARRANTY RELATED TO THE FAILURE OF ANY SOLVENT WELD JOINT OR DEFECTIVE SOLVENT USED IN MAKING ANY SUCH JOINT (EXCLUDING SOLVENT WELDS MADE BY SELLER), AND ANY WARRANTY REGARDING ANY ANCILLARY SERVICES RENDERED.

**Remedy and Limitation of Liability.** If the products do not comply with the warranties set forth above, Buyer must provide prompt written notice to Seller of the non-conformance in reasonably sufficient detail (and such other detail as Seller requests) and must comply with Seller's instructions and policies regarding the non-conforming product. Buyer must provide such notice within 30 days of receipt of the products. Seller's liability will terminate upon expiration of the notice period. Seller's sole liability for non-conforming products will be to repair or replace the non-conforming product or return the purchase price paid therefore, at Seller's sole option. Buyer will bear all disassembly, shipment and reinstallation costs of repaired or replaced products. IN NO EVENT WILL SELLER BE LIABLE IN CONTRACT, TORT, STRICT LIABILITY OR OTHERWISE FOR INCIDENTAL, INDIRECT, SPECIAL OR CONSEQUENTIAL DAMAGES, REGARDLESS OF WHETHER SELLER WAS INFORMED OF THE POSSIBILITY OF SUCH DAMAGES, AND IN NO EVENT WILL SELLER'S LIABILITY EXCEED AN AMOUNT EQUAL TO THE SALES PRICE OF THE PRODUCTS.

All trademarks, trade names, logos and similar marks used herein are the property of their respective owners.



**NOW AVAILABLE**

**KWIK-COUPLE®  
JUST BECAME  
SUPER!**

**SUPER KWIK-COUPLE™**

- **Speed of Installation** – Just Insert the conduit and tighten the compression nut
- **Reduce Labor Cost** – Connects Kwiker than Standard Couplings and 3-Piece Couplings
- **Reduced Material Cost** – No need to purchase or inventory 3-Piece Couplings
- **Flexible Design** – Easy transitions for GRC, IMC and EMT
- **Eliminates Field Threading** – Connects to threaded or unthreaded product saving labor and space on the job site
- Installing rigid conduit and IMC conduit faster than ever!

*Eliminates threading*

*Easy transitions*

*No pipe turning*

**allied**  
TUBE & CONDUIT®

A PART OF **atkore**  
INTERNATIONAL

[alliedeg.com](http://alliedeg.com)

16100 South Lathrop Ave  
Harvey, IL 60426  
PHONE/ 708-339-1610  
TOLL-FREE / 800-882-5543

[www.alliedeg.com](http://www.alliedeg.com)



**UNISTRUT**



**RAZOR RIBBON**

**FLEXHEAD INDUSTRIES**



**Columbia-MBF**



**UNISTRUT Construction**



**TECTRONTube**



**SprinkFLEX**



**KAF-TECH**

**SCI STEEL COMPONENTS INC.**