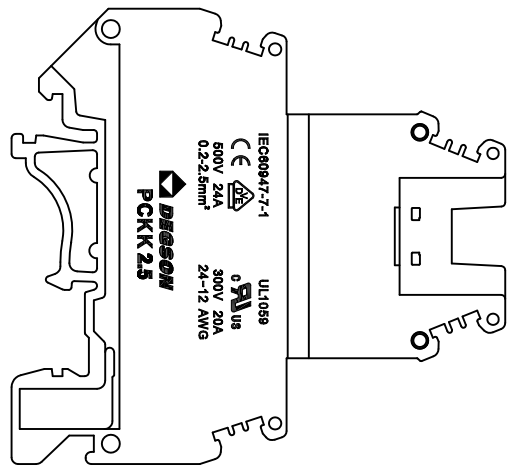
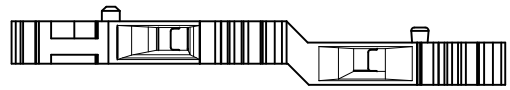
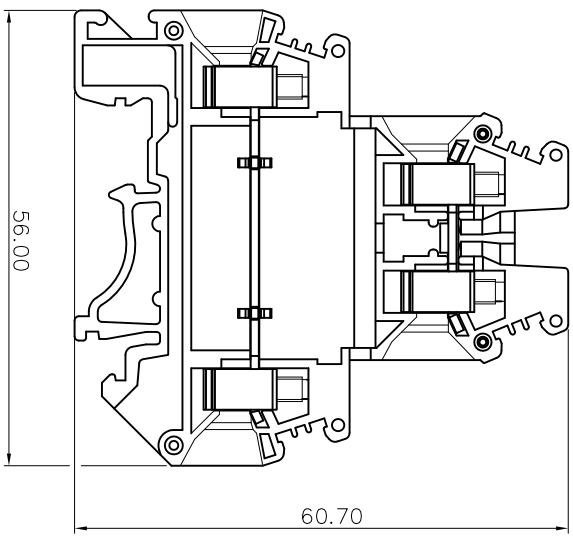
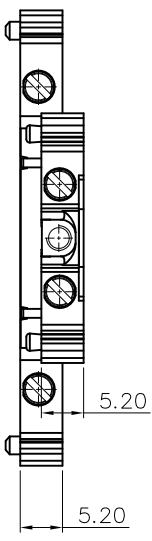


REVISION RECORD			
REV	ECN	DESCRIPTION	DRFT DATE



IEC Standard

1. Pollution Degree	3
Overvoltage Category	III
Rate Impulse Voltage(KV)	6.0KV
Rate Voltage(V)	500V
Rate Current(A)	24A

- 2. Torque value : M3 , 0.5N·m
- 3. Wire range : 0.2~2.5mm<sup>2</sup>

NOTES:  
 1. Dimension shall be interpreted per ASME Y14.5-2009  
 2. Pitch : 5.20mm, Poles : N=01P  
 3. Stripping length : 7~8mm  
 4. Operating temperature : -40°C~+105°C  
 5. Undimensioned tolerances:  
 6. RoHS Compliance

Pitch range in mm	Nominal dimension range					
	Over	Over	In mm	Over	Over	Over
6	TO	TO	30	TO	TO	150
10	TO	TO	30	TO	TO	150
24	TO	TO	60	TO	TO	150
30	TO	TO	60	TO	TO	150
60	TO	TO	100	TO	TO	150
100	TO	TO	100	TO	TO	150
150	TO	TO	150	TO	TO	150
±0.15	±0.20	±0.30	±0.30	±0.50	±0.70	±1.00
±1.30	±1.00	±1.30	±1.00	±1.30	±1.30	±2

PCKK2.5 - 01P - 1Y - 00A (H)  
 (Series No.) (Poles) (Single Pitch) (Color): 1. (Grey)  
 2. (Blue)  
 3. (Black)  
 4. (Green)  
 5. (Orange)  
 6. (Red)  
 7. (Transparent)  
 8. (Yellow)  
 9. (White)

DETACHED LISTS	
PART NO.:	/
APPD:	/
CHKD:	/
DRFT:	/
THIRD ANGLE PROJECTION	
NAME:	<b>DEGSON</b> NINGBO DEGSON ELECTRICAL CO., LTD 宁波高松电子有限公司
TITLE:	CUSTOMER DRAWING
DRAWING NO.:	/
REV	DO
SHEET	1/1
SCALE	1:1