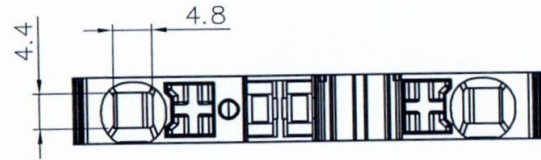
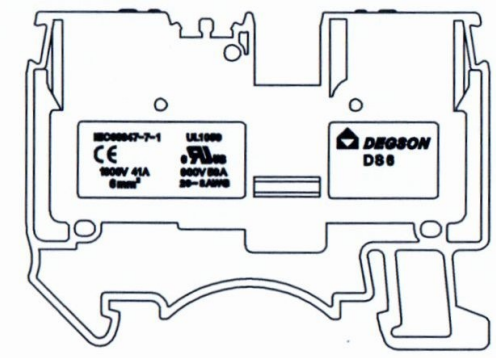
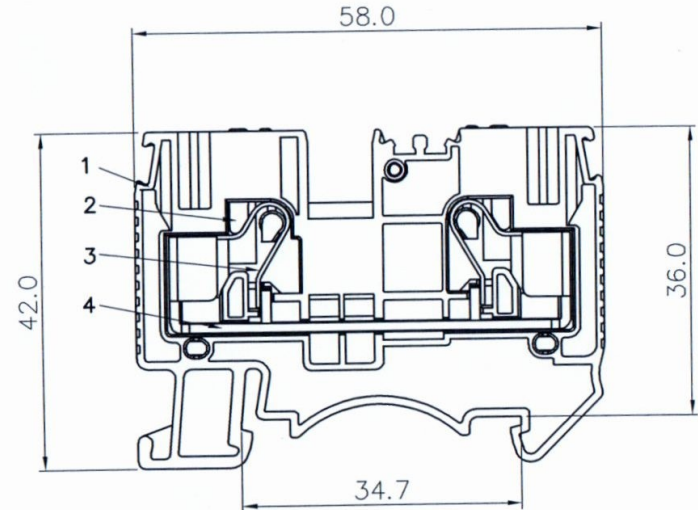


REVISION RECORD				
REV	ECN	DESCRIPTION	DRFT	DATE



仅供参考图
 签字: *[Signature]*
 日期: 2016.06.06



NOTES1:

- UL Standard
- 1. Rated Voltage/Current : 600V / 50A
- 2. Withstanding Voltage : AC2200V/1Min.
- 3. Wire Range : 20~8AWG

IEC Standard

1. Pollution Degree	3
Overvoltage Category	III
Rate Impulse Voltage(KV)	8.0KV
Rate Voltage(V)	1000V
Rate Current(A)	41A

2. Wire Range : 0.5~6mm²&10mm²(sol)

NOTES2:

- 1. Dimension shall be interpreted per ASME Y14.5-2009
- 2. Pitch : 8.2mm, Poles : N=01P
- 3. Stripping length : 10-12mm
- 4. Operating temperature: -40°C~+105°C
- 5. Undimensioned Tolerances:

Pitch Range In mm		Nominal Dimension Range In mm						□	∠
TO	Over	TO	Over	TO	Over	TO	Over	0.1/10	
6	10	6	10	10	24	30	60	<	
±0.15	±0.20	±0.30	±0.30	±0.50	±0.70	±1.00	±1.30	±2'	

6. RoHS Compliance

ITEM	NAME OF PART	Q'TY	MATERIAL	NOTES
4	DS6-00A CURRENT CARRIER	1	COPPER	Sn plated
3	DS6-00A SPRING	2	STAINLESS STEEL	
2	DS6-00A BUTTON	2	POM	UL94V-2
1	DS6-00A HOUSING	1	PA66	UL94V-0

DETACHED LISTS	PART NO.: /	宁波高松电子有限公司 DEGSON ® NINGBO DEGSON ELECTRICAL CO., LTD		
	APPD: Alan 06/16/16"	NAME: DS6-01P-1Y-00A(H)		
	CHKD: Ding 2016.06	TITLE: CUSTOMER DRAWING		
	DRFT: ding 04/14/16"	DRAWING NO.: DS6-C01	REV	DO-1
	 THIRD ANGLE PROJECTION	DRAWING NO.: DS6-C01 SHEET 1/1	DO NOT SCALE DRAWING SCALE 1:1	

A