

Plexo weatherproof boxes

increased depth PVC range



0921 22

0350 43

Dimensions opposite and p. 41

Grey RAL 7035

Operating temperature : - 20 °C to +50 °C

PVC box and cover

Self-extinguishing : 750 °C for Cat. Nos. 0350 43 and 0922 84

960 °C for Cat. Nos. 0350 58 and 0921 22

Deep weatherproof plastic industrial equipment boxes with smooth sides

Fixing options :

- inside : 4 oblong holes at back of box
 - outside : cabling volume at 4 corners with Ø4 screws
 - with wall mounting brackets (Cat. No. 0364 08) for 310 x 240 boxes
- Option of mounting equipment on rail or on plain plate at back of box
1/4 turn opening/closing

Pack	Cat. Nos.	Weatherproof boxes – IP 55
		Nominal internal dimensions : Height x Width x Depth (mm)
		Depth 140 mm
2	0921 22	IK 07 - IP 55 220 x 170 x 140 mm - (1/4 turn cover fixings)
		Depth 154 mm
2	0350 43	IK 08 - IP 55 265 x 174 x 154 mm - (1/4 turn cover fixings with hinges)
1	0350 58	359 x 265 x 154 mm - (1/4 turn cover fixings with hinges)
		Depth 160 mm
1	0922 84	IK 08 - IP 55 310 x 240 x 160 mm - (1/4 turn cover fixings with hinges)

Accessories

Metal mounting plates

Galvanised steel - 1.5 mm thick
For PVC box size :

5	0350 90	220 x 170 mm
5	0350 92	265 x 174 mm
5	0350 93	310 x 240 mm
1	0350 94	359 x 265 mm

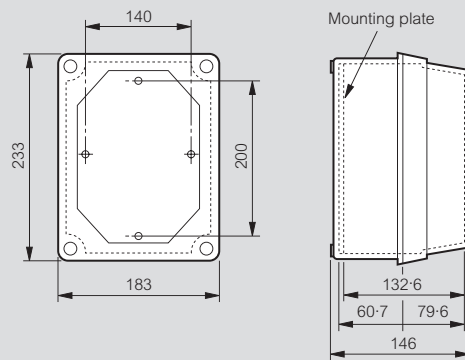
Set of 4 wall mounting brackets

1	0364 08	For PVC box size 310 x 240 mm only
---	---------	------------------------------------

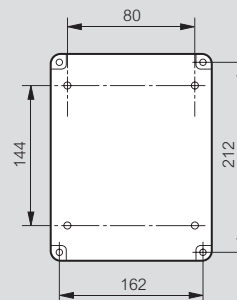
PVC boxes are not provided with side mounts for IP 2X terminals

■ Dimensions (mm)

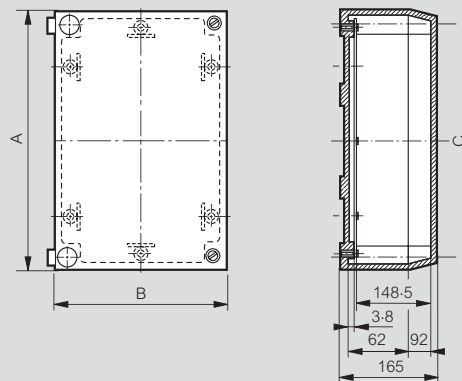
Cat. No. 0921 22



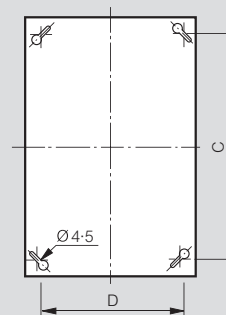
Fixing dimensions



Cat. Nos. 0350 43/58



Fixing dimensions



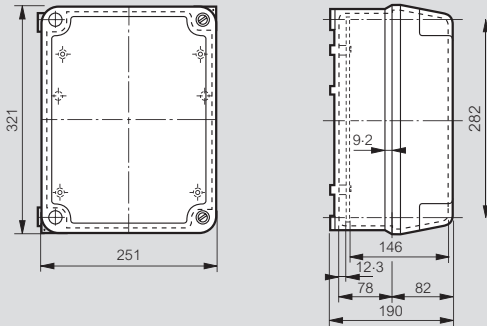
Cat. Nos.	Dimensions		Fixing points		Weight (kg)
	A (mm)	B (mm)	C (mm)	D (mm)	
0350 43	273	182	246	155	1.08
0350 58	367	273	340	246	1.80

Plexo weatherproof boxes

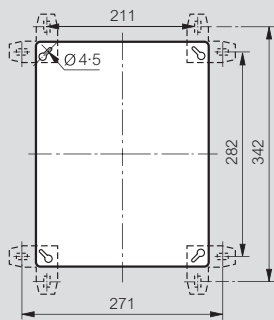
increased depth PVC range (continued)

■ Dimensions (mm)

Cat. No. 0922 84

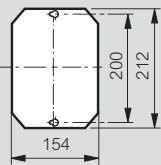


Fixing dimensions

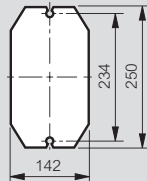


■ Mounting plates for PVC boxes

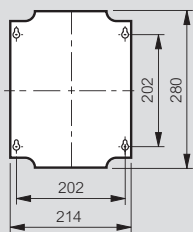
Cat. No. 0350 90



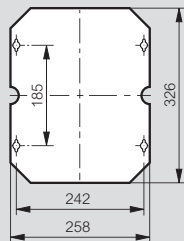
Cat. No. 0350 92



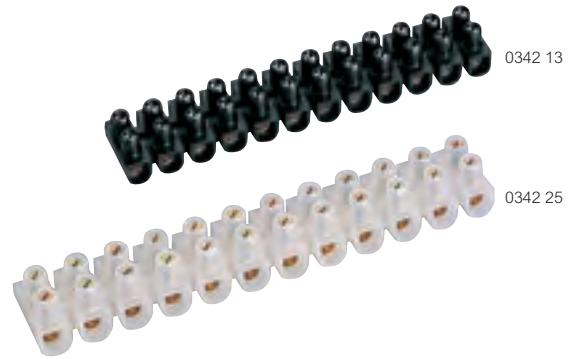
Cat. No. 0350 93



Cat. No. 0350 94



Nylbloc™ terminal strips



Pack	Cat. Nos.	Nylbloc terminal strips			
		According to EN 60998-2-1, the rated insulation voltage of Nylbloc terminal strips is 250 V			
		They may be used under 400 V nominal voltage supply when integrated in equipment designed according to EN 60664-1 with pollution degree 2 and overvoltage category III			
		12 way strips with captive screws			
		Supplied with screws undone			
		Flame retardent polypropylene (-25 °C to +100 °C)			
		Ambient temperature from -25 °C to +55 °C			
		Rated capacity (mm ²)	Diameter Ø	Current max. (A)	Dimensions (mm)
	Black				
10	0342 11	2.5	2.5	24	15.6 x 94 x 12.3
10	0342 13	6	3.5	41	18 x 107 x 14.7
10	0342 15	10	4.5	57	20.8 x 136 x 17.4
10	0342 17	16	5.5	76	24.2 x 157 x 22.6
10	0342 19	25	7	101	33.2 x 214 x 27.8
	White				
10	0342 21	2.5	2.5	24	15.6 x 94 x 12.3
10	0342 23	6	3.5	41	18 x 107 x 14.7
10	0342 25	10	4.5	57	20.8 x 136 x 17.4
10	0342 27	16	5.5	76	24.2 x 157 x 22.6

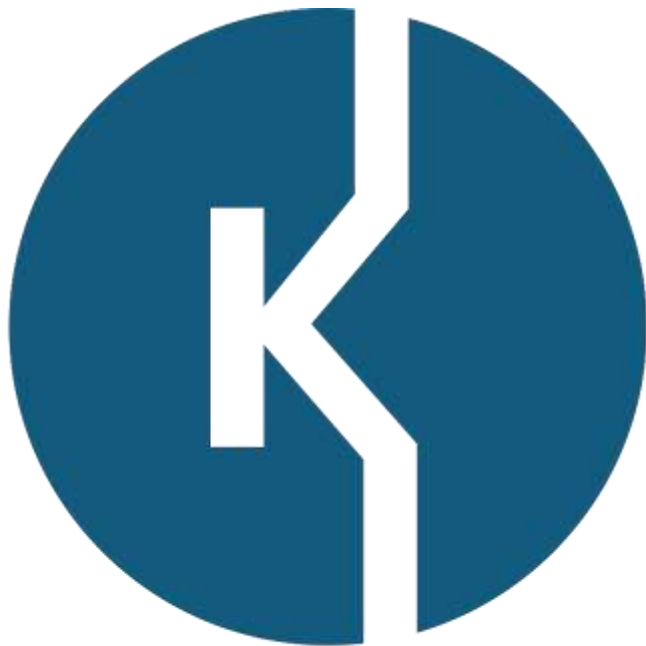


Plexo weatherproof boxes p. 36-40



Download the full file at

<http://assets.kempstoncontrols.com/doc/Legrand%20Industrial%20and%20power%20protection%20catalogue.pdf>



KEMPSTON
CONTROLS