



CZ0873/2BJD



DESCRIPTIONS

The enclosures of explosion-proof light fittings are manufactured of die-cast aluminum alloy, with the surfaces sprayed epoxy resin powder, therefore they have good anti-corrosion performance. The transparent shield is made by the toughened glass of borosilicate, and the exposed fasteners are the stainless steel. Explosion-proof light fitting's terminal box side entry is suitable for rubber-coated and the armored cable wiring. The internationally certified PHOENIX cage type terminals are selected as the internal terminals, which are convenient for wiring. LED warning light is supplied inside. The unique heat insulation design united with the exterior high density radiator in the explosion-proof light fitting to cause the radiation effect will be better. For light and signal transmission in such fields as machinery, fire protection, aviation.

The mounting ways of the explosion-proof light fittings are seater type and pendant type.

- The highest class of flameproof is up to IIC.
- The degree of protection is up to IP66.
- IECEx, ATEX International certification.

Zone 1 and zone 2
Zone 21 and zone 22



MAIN TECHNICAL DATA

Certification	Ex mark	Meet the standard
China: CNEx14.0611	Ex deIIC T6 DIP A21 TA,T6	GB3836 GB12476
IECEX: IECEX CQM13.0025X	Ex deIIC T6 Gb Ex tb IIIC T80°C Db	IEC60079
ATEX: TÜV ATEX 7580X	Ex deIIC T6 Gb Ex tb IIIC T80°C Db	EN60079

Intended use: Can be used in zone 1 and zone 2
Can be used in zone 21 and zone 22

Ambient temperature: $-20^{\circ}\text{C} \leq \text{Ta} \leq +40^{\circ}\text{C}/+55^{\circ}\text{C}$
 $-40^{\circ}\text{C} \leq \text{Ta} \leq +40^{\circ}\text{C}/+55^{\circ}\text{C}$

Degree of protection: IP66

Terminal: L1, N cage type terminal 2-2.5mm², PE terminal: 2×10mm²

Rated voltage: 24V AC/DC

Cable entry: (Standard configuration) moulded plastic 1×M25×1.5,

110V AC 50/60Hz

Outside diameter: Φ8-17mm

220V AC 50/60Hz

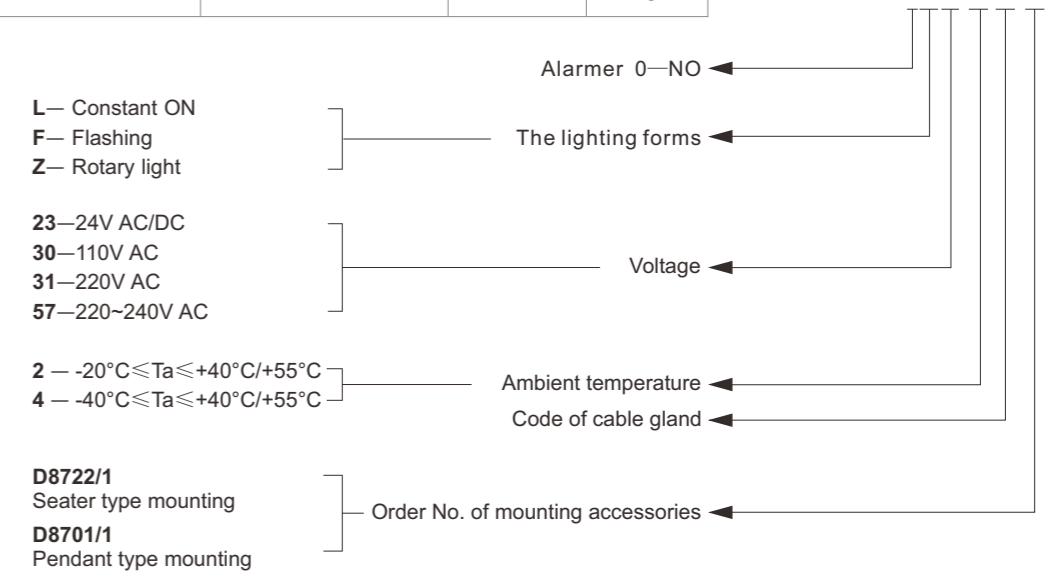
220~240V AC 50/60Hz

Power: Max 10W

Light source: LED

ORDER SPECIFICATIONS

Illustration	Light source code	Colour of warning light fittings	Power	Weight	Order No.
	LED lamps	Red	10W	8.3kg	CZ0873/2BJD-R0 - -B+
		Yellow	10W	8.3kg	CZ0873/2BJD-Y0 - -B+
		Green	10W	8.3kg	CZ0873/2BJD-G0 - -B+
		Blue	10W	8.3kg	CZ0873/2BJD-B0 - -B+
		White	10W	8.3kg	CZ0873/2BJD-W0 - -B+



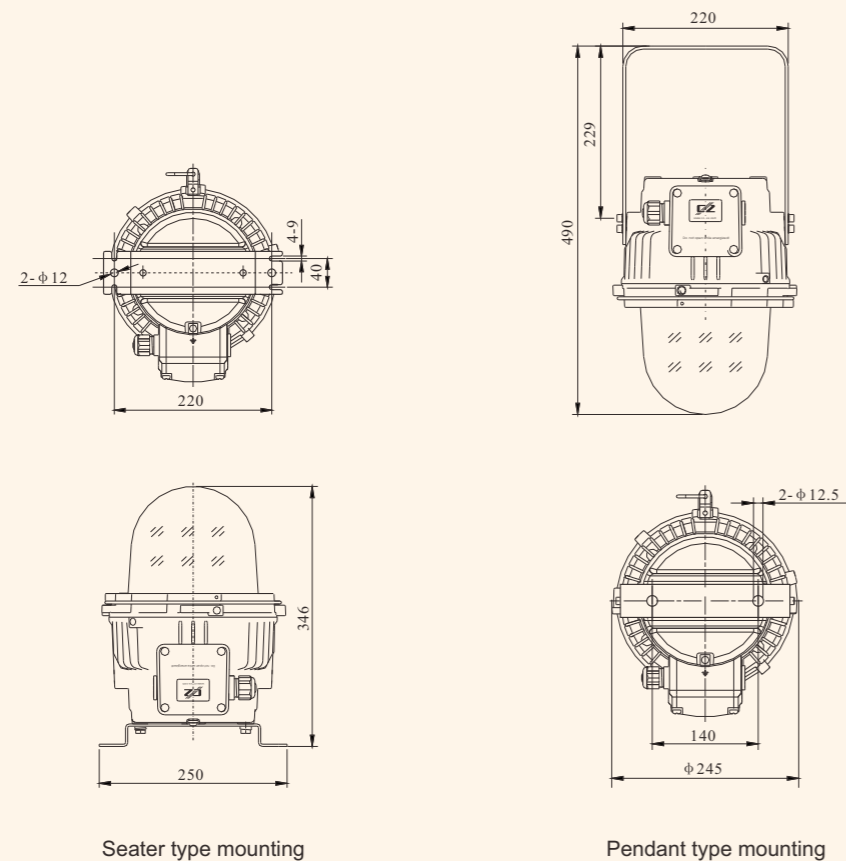


CODE OF CABLE GLAND

Code	Specification	Cable diameter
B	One moulded plastic M25×1.5 cable gland, one moulded plastic M25×1.5 stopping plug	Φ8-17mm
D	Two moulded plastic M25×1.5 cable glands	Φ8-17mm
H	One brass CZ0226/M25×1.5-(G02) increased safety metal cable gland (stopping boxes), one moulded plastic M25×1.5 stopping plug	Φ11.5-16mm
I	Two brass CZ0226/M25×1.5-G02 increased safety metal cable glands (stopping boxes)	Φ11.5-16mm

OUTLINE AND INSTALLATION DIMENSIONS

Unit mm



Seater type mounting

Pendant type mounting



CZ0873/2BTD



DESCRIPTIONS

The enclosures of explosion-proof light fittings are manufactured of die-cast aluminum alloy, with the surfaces sprayed epoxy resin powder, therefore they have good anti-corrosion performance. The transparent shield is made by the toughened glass of borosilicate, and the exposed fasteners are the stainless steel. Explosion-proof light fitting's terminal box side entry is suitable for rubber-coated and the armored cable wiring. The internationally certified PHOENIX cage type terminals are selected as the internal terminals, which are convenient for wiring. LED signal tower light is supplied inside. The unique heat insulation design united with the exterior high density radiator in the explosion-proof light fitting to cause the radiation effect will be better. For light and signal transmission in such fields as machinery, fire protection, aviation.

The mounting ways of the explosion-proof light fittings are seater type and pendant type.

- The highest class of flameproof is up to IIC.
- The degree of protection is up to IP66.
- International IECEx Approval, Europe union ATEX Approval.

Zone 1 and zone 2
Zone 21 and zone 22



MAIN TECHNICAL DATA

Certification	Ex mark	Meet the standard
China: CNEx14.0611	Ex deIIc T6 DIP A21 Ta,T6	GB3836 GB12476
IECEX: IECEX CQM13.0025X	Ex deIIc T6 Gb Ex tb IIIC T80°C Db	IEC60079
ATEX: TÜV ATEX 7580X	Ex II2 GD Ex deIIc T6 Gb Ex tb IIIC T80°C Db	EN60079

Intended use: Can be used in zone 1 and zone 2
Can be used in zone 21 and zone 22

Degree of protection: IP66

Rated voltage: 24V AC/DC

110V AC 50/60Hz

220V AC 50/60Hz

220~240V AC 50/60Hz

Power: Max 10W

Light source: LED

Ambient temperature: $-20^{\circ}\text{C} \leq T_a \leq +40^{\circ}\text{C}/+55^{\circ}\text{C}$

$-40^{\circ}\text{C} \leq T_a \leq +40^{\circ}\text{C}/+55^{\circ}\text{C}$

Terminal: Cage type terminal 2-2.5mm², PE terminal: 2×10mm²

Cable entry: (Standard configuration) Moulded plastic 1×M25×1.5,

Outside diameter: Φ8-17mm

Moulded plastic 1×M25×1.5 stopping plug

ORDER SPECIFICATIONS

Illustration	Light source code	The lighting forms	Voltage	Weight	Order No.
	LED lamps	Constant ON	24V AC/DC	8.3kg	CZ0873/2BTD-3/ 0L23- -B+
			110V AC	8.3kg	CZ0873/2BTD-3/ 0L30- -B+
			220V AC	8.3kg	CZ0873/2BTD-3/ 0L31- -B+
			220~240V AC	8.3kg	CZ0873/2BTD-3/ 0L57- -B+
		Flashing	24V AC/DC	8.3kg	CZ0873/2BTD-3/ 0F23- -B+
			110V AC	8.3kg	CZ0873/2BTD-3/ 0F30- -B+
			220V AC	8.3kg	CZ0873/2BTD-3/ 0F31- -B+
			220~240V AC	8.3kg	CZ0873/2BTD-3/ 0F57- -B+

R— Red
Y— Yellow
G— Green
B— Blue
W— White

Color code of each section

Alarmer 0—NO

2 — $-20^{\circ}\text{C} \leq T_a \leq +40^{\circ}\text{C}/+55^{\circ}\text{C}$

4 — $-40^{\circ}\text{C} \leq T_a \leq +40^{\circ}\text{C}/+55^{\circ}\text{C}$

Ambient temperature

Code of cable gland

D8722/1 Seater type mounting

D8701/1 Pendant type mounting

Order No. of mounting accessories

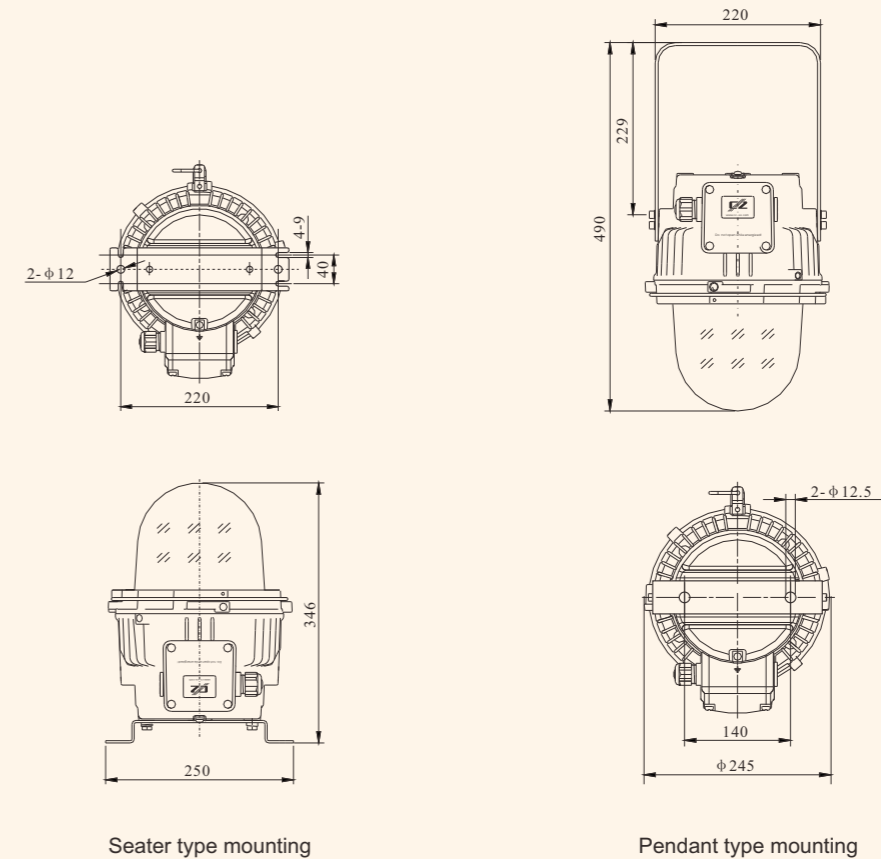


CODE OF CABLE GLAND

Code	Specification	Cable diameter
B	One moulded plastic M25×1.5 cable gland, one moulded plastic M25×1.5 stopping plug	Φ8-17mm
D	Two moulded plastic M25×1.5 cable glands	Φ8-17mm
H	One brass CZ0226/M25×1.5-(G02) increased safety metal cable gland (stopping boxes), One moulded plastic M25×1.5 stopping plug	Φ11.5-16mm
I	Two brass CZ0226/M25×1.5-G02 increased safety metal cable glands (stopping boxes)	Φ11.5-16mm

OUTLINE AND INSTALLATION DIMENSIONS

Unit mm



CZ0873/2BZDL(B)



DESCRIPTIONS:

The enclosures of explosion-proof light fittings are manufactured of die-cast aluminum alloy, with the surfaces sprayed epoxy resin powder, therefore they have good anti-corrosion performance. The transparent shield is made by the toughened glass of borosilicate, and the exposed fasteners are the stainless steel. Explosion -proof light fitting's terminal box side entry is suitable for rubber-coated and the armored cable wiring. The internationally certified PHOENIX cage type terminals are selected as the internal terminals, which are convenient for wiring. LED aviation obstruction lamp is supplied inside. The unique heat insulation design united with the exterior high density radiator in the explosion-proof light fitting to cause the radiation effect will be better. For the building facilities around the tall tower and chimney of power industry and the airport to ensure the safety.

Imported integrated chips with many protection circuits are adopted. The synchronous flashing of more than one lamp can be achieved by the connection of synchronized signal lines.

- The highest class of flameproof is up to IIC.
- The degree of protection is up to IP66.
- International IECEx Approval, Europe union ATEX Approval.

Zone 1 and zone 2
Zone 21 and zone 22

MAIN TECHNICAL DATA:

Certification	Ex mark	Meet the standard
China: CNEEx14.0611	Ex deIIC T6 DIP A21 Ta,T6	GB3836 GB12476
IECEX:IECEX CQM13.0025X	Ex deIIC T6 Gb Ex tb IIIC T80°C Db	IEC60079
ATEX: TÜV ATEX 7580X	Ⓜ II2 GD Ex deIIC T6 Gb Ex tb IIIC T80°C Db	EN60079

Intended use: Can be used in zone 1 and zone 2
Can be used in zone 21 and zone 22

Degree of protection: IP66

Rated voltage: 220V AC 50Hz
220~240V AC 50/60Hz

Ambient temperature: -20°C≤Ta≤+40°C/+55°C
-40°C≤Ta≤+40°C/+55°C

Terminal: L1, N cage type terminal, PE terminal: 2×10mm²

Cable entry: (Standard configuration)Moulded plastic 1×M25×1.5,

Outside diameter: 8-17mm

Moulded plastic 1×M25×1.5 stopping plug

ORDER SPECIFICATIONS:

Illustration	Light source code	Power	Luminous intensity	Temperature class*		Weight	Order No.
				Ta 40°C	Ta 55°C		
	LED lamps	10W	Red 2000cd±25%	T6	T6	8.3kg	CZ0873/2BZDL-R25- -B
	Pulsed stroboflash xenon lamp tube	10W	White 10,000cd±25%	T6	T6	8.3kg	CZ0873/2BZDB-W25- -B
Red 4000cd±25%			CZ0873/2BZDB-R25- -B				

25 — 220V AC 50Hz
57 — 220~240V AC 50/60Hz } Voltage power ←

2 — -20°C≤Ta≤+40°C/+55°C
4 — -40°C≤Ta≤+40°C/+55°C } Ambient temperature ←

Code of cable gland ←