



***GE Industrial Systems***

---

# **OEM Load Center Parts Program**



## OEM Load Center Manual

### ***A Manual that Helps You Find Solutions***

GE Industrial Systems is pleased to offer a comprehensive line of PowerMark Gold™ and PowerMark Plus™ load center interiors and components for Original Equipment Manufacturers (OEM's). This offering has been assembled to provide OEM's with unprecedented flexibility to meet their customers needs.

GE's OEM Load Center manual is designed to help you select and identify GE load center components quickly and accurately. Based on your amperage needs and the number of circuits required, this manual identifies the part numbers for the interior and all component parts. Envelope drawings are provided for each interior to assist you in adapting the GE interior to your own custom installation.

This manual features:

- Selection Guide for Residential Main Lug/ Convertible, Main Breaker and Commercial Load Centers
- Circuit Breaker Selection Guide
- Accessory Selection Guide
- Part Number Identification for All Load Center Components
- Dimensioned Envelope Drawings

### ***Dedication to Quality***

GE load centers are designed, manufactured, sold, and serviced with a dedication to quality unequalled in the electrical components industry. All GE products are produced in accordance with the company's Six Sigma Quality Initiative. Six Sigma is the disciplined methodology of defining, measuring, analyzing, improving, and controlling the quality in all GE products, processes, and transactions—with the ultimate goal of virtually eliminating all defects. The Six Sigma initiative has changed the culture of GE and impacts everything we do and every product we design.

GE's Six Sigma Quality Initiative is reinforced with a solid warranty program on each GE load center. All PowerMark Gold™ load centers are backed by a lifetime warranty. GE warrants that GE PowerMark Gold residential load centers will be free from defects in materials and workmanship, under normal care and proper installation, for the lifetime of the product.

### ***The "Contractor's Load Center"***

In developing the PowerMark Gold load center, GE consulted with practicing electrical contractors. We incorporated many features suggested to us by contractors, features that make PowerMark Gold the finest quality, easiest-to-use residential load centers. All PowerMark Gold load centers incorporate a tin-plated, solid copper bus for maximum conductivity and corrosion resistance. All load centers feature robust neutral bars that extend the full length of the bus for faster, more professional installations; plus, the neutral bars are raised, making them more accessible to speed installation. All enclosures are commercial-quality, heavy-gage steel with a protective galvanized finish for superior corrosion resistance. In addition, Robertson-style square-drive screws allow higher installation torque and prevent screwdriver slippage.

### ***Money-Saving THQP Circuit Breakers***

All PowerMark Gold load centers accommodate GE's reliable THQL one-inch-wide circuit breaker. PowerMark Gold load centers also accommodate GE's unique space-saving one-half-inch *THQP circuit breaker*. THQP circuit breakers help save you money by providing installation flexibility. THQP circuit breakers are identical in design to THQL circuit breakers and they are tested to the same UL specifications. THQP circuit breakers are most beneficial when size and cost constraints are driving factors, helping you to be more cost competitive. They help free up space to allow new circuits to be added to a crowded load center and thus may prevent the need to upgrade to a larger load center. THQP circuit breakers are available in one- and two-pole designs up to 50 amps.

US National Electrical Code Paragraph 384-15 requires branch-circuit load centers to be provided with a physical means to prevent the installation of more circuit breakers than the number for which the load center was designed, rated, and approved. GE load centers are designed to limit installation to no more than 42 total circuits per load center and thus the number of allowable THQP circuit breaker spaces may be limited. For information on which load centers accept THQP circuit breakers, reference the right-side view of each load center's envelope drawing. In addition, each load center page also provides a chart that indicates the maximum number of breakers per load center.

**Contents**

[PowerMark Plus™ & PowerMark Gold™ Load Center Selection Guide ..... 4](#)  
[Q Line Circuit Breakers..... 7](#)  
[Load Center Accessories..... 11](#)  
[PowerMark Gold™ Load Center Parts..... 14](#)  
[PowerMark Plus™ Load Center Parts..... 38](#)  
[PowerMark Gold™ OEM Specialty Load Center Parts ..... 82](#)

Note: Text printed in [blue](#) on this and the following three pages is linked to the corresponding page in the manual. As you move the Acrobat hand pointer over the text, it will change to a finger pointer. Click the mouse button to jump to that page.

# GE OEM Load Center Parts Program

## PowerMark Plus™ & PowerMark Gold™ Load Center Selection Guide

- UL Recognized Component
- 60°/75° C Conductor Rating
- Suitable for Use as Service Entrance Equipment When Installed in Accordance with the National Electrical Code
- 22 kAIC RMS Symmetrical, Except Where Noted

### Single-Phase, Three-Wire, 120/240 Vac

OEM Interiors used in PowerMark Gold Load Centers

- Main Lug and Convertible Load Center Interiors
  - Factory-Installed Main Lugs (TLM units convertible to main breaker)
  - Copper Bus – Tin-Plated Standard (all OEM interiors with suffix U2)
  - OEM interiors are UL-recognized components listed under UL file E21790

Main Ampere Rating	Maximum Spaces					Cat. No.			Drawing Page #
	1" THQL		1/2" THQP		Total 1-Pole Spaces	OEM Interior with Neutral Bar	OEM Interior without Neutral Bar	Complete Load Center with Indoor Enclosure	
	1p	2p	1p	2p					
70	2	1	4	1	4	TL270U2	—	TL270SCU	—
100	2	1	—	—	2	—	565B837G2	—	—
125	4	2	8	3	8	TL412U	TL412UN	TPL412C	—
	6	3	12	4	12	TLM612U2 <sup>③</sup>	TLM612U2N <sup>③</sup>	TLM612SCU	14
	8	4	16	6	16	TLM812U2 <sup>③</sup>	TLM812U2N <sup>③</sup>	TLM812SCU	17
	12	6	24	10	24	TLM1212U2 <sup>①</sup>	—	TLM1212CCU TM1210CCU TM1212CCU	20
	16	8	16	6	24	TLM1612U2 <sup>①</sup>	—	TLM1612CCU TM1612CCU	22
	24	12	—	—	24	TLM2412U2	—	TLM2412CCU TM2412CCU	24
150	24	12	12	4	30	TLM2415U2 <sup>②</sup>	—	TLM2415CCU TM2415CCU	26
200	16	8	32	14	32	TLM1620U2 <sup>②</sup>	—	TLM1620CCU TM1615CCU TM1620CCU	28
	20	10	40	18	40	TLM2020U2 <sup>②</sup>	—	TLM2020CCU TM2020CCU	30
	32	16	16	6	40	TLM3220U2 <sup>②</sup>	—	TLM3220CCU TM3220CCU	32
	40	20	—	—	40	TLM4020U2 <sup>②</sup>	—	TLM4020CCU TM4020CCU	34
225	42	20	—	—	42	TLM4222U2 <sup>②</sup>	—	TLM4222CCU TM4222CCU	36

① For Main Breaker, order mounting kit TQMH000. Also order THQL, THHQL, or TXQL circuit breaker separately.

② For Main Breaker, order THQMV main breaker (includes mounting base).

③ For Main Breaker, order THQLRK2 retainer kit plus THQL, THHQL, or TXQL circuit breaker separately.

# GE OEM Load Center Parts Program

## PowerMark Plus™ & PowerMark Gold™ Load Center Selection Guide

### Three-Phase, Four-Wire, 208Y/120 Vac ①

#### OEM Interiors used in PowerMark Plus Load Centers

- Factory-Installed Main Lug Load Center Interiors
  - OEM interiors are UL-recognized components listed under UL file E21790

Main Ampere Rating	Maximum Spaces			Total 1-Pole Spaces	Cat. No.		Drawing Page-#
	1" THQL				OEM-Interior	Complete-Load Center, Indoor Enclosure	
	1-pole	2-pole	3-pole ②				
100	3	1	1	3	565B837G1	—	—
125	12	6	4	12	TL12412U	TL12412C	38
150	18	8	6	18	TL14815U	TL18415C	40
	24	12	8	24	TL24415U	TL24415C	42
200	18	8	6	18	TL18420U	TL18420C	44
	30	14	10	30	TL30420U	TL30420C	46
	42	20	14	42	TL42420U	TL42420C	48
225	30	14	10	30	TL30422U	TL30422C	50
	42	20	14	42	TL42422U	TL42422C	52

- Main Breaker–Style Load Centers
  - Main Lugs Not Included
  - OEM interiors are UL-recognized components listed under UL file E21790

Main Ampere Rating	Maximum-Spaces			Total 1-Pole Spaces	Cat.-No.		Drawing Page-#
	1"-THQL				OEM-Interior	Complete-Load Center, Indoor Enclosure	
	1-pole	2-pole	3-pole ②				
100	12	6	4	12	TM12410U ③	TM12410C	54
	18	8	6	18	TM18410U ③	TM18410C	56
125	30	14	10	30	TM30412U ④	TM30412C	58
150	24	12	8	24	TM24415U ④	TM24415C	61
	30	14	10	30	TM30415U ④	TM30415C	64
	42	20	14	42	TM42415U ④	TM42415C	67
200	24	12	8	24	TM24420U ④	TM24420C	70
	30	14	10	30	TM30420U ④	TM30420C	73
	42	20	14	42	TM42420U ④	TM42420C	76
225	42	20	14	42	TM42422U ④	TM42422C	79

- ① Also UL Listed for 3-phase, 4-wire 240/120 Vac delta and 3-phase, 3-wire 240 Vac branch breakers installed.
- ② Three-pole plug-in breakers available through 100 amperes.
- ③ Main Breaker, THHQL32100 included.
- ④ For Main Breaker, order TQD\*X2 or THQD\*X2 style breaker with appropriate mounting bracket (see drawings).

# GE OEM Load Center Parts Program

## PowerMark Plus™ & PowerMark Gold™ Load Center Selection Guide

### Single-Phase, Three-Wire, 120/240 Vac

#### Specialty OEM interiors used by GE in PowerMark Gold Meter Socket Load Centers

- All Specialty interiors are constructed without the neutral bar attached to the assembly. They are packaged with or without a separately mounted neutral bar.
- OEM interiors are UL-recognized components listed under UL file E21790

#### Types

- Narrow Style – Breaker mounting rail on one side only (Column style).
- Wide Style – Breaker mounting rail on two sides.
- Split Bus – Two sections of bus. Used with multiple service disconnects.
- Feed-Thru – Feed-Thru lugs factory installed.
- Main Lug – Factory-installed main lugs (MLO).
- Main Breaker – Main breaker provisions, breaker sold separately.

Main Ampere Rating	Maximum-Spaces					Cat.-No.		Main-Type	Drawing Page-#
	1"-THQL		1/2"-THQP		Total 1-Pole Spaces	OEM-Interior-with Neutral-Bar	OEM-Interior without-Neutral Bar		
	1p	2p	1p	2p					
<b>Split-Bus-/Feed- Thru-/Narrow-Style-(Farm-Panel)</b>									
200	4	2	8	3	8	TSF420U	TSF420UN	Main Breaker① ②	<a href="#">82</a>
<b>Narrow-Style-/MLO</b>									
200	4	2	8	3	8	TSLR420U	TSLR420UN	MLO	<a href="#">83</a>
<b>Feed-Thru-/Narrow-Style</b>									
200	8	4	16	6	16	TSM820U	TSM820UN	Main Breaker②	<a href="#">87</a>
<b>Narrow-Style</b>									
125	12	6	24	10	24	TSM1212U	TSM1212UN	Main Breaker⑤	<a href="#">84</a>
	16	8	32	14	32	TSM1610U	TSM1610UN	Main Breaker⑤	<a href="#">85</a>
200	20	10	40	18	40	TSM2020U	TSM2020UN	Main Breaker②	<a href="#">86</a>
<b>Wide-Style-/Main-Breaker</b>									
125	12	6	24	10	24	TSMR1212U	TSMR1212UN	Main Breaker③	<a href="#">88</a>
200	20	10	40	18	40	TSMR2015U	TSMR2015UN	Main Breaker④	<a href="#">89</a>

- ① For subfeed main breaker, order THQL, THHQL, or TXQL, 110 A max.  
 ② for main breaker, order THQMV\*WL breaker with main breaker retainer THQLRK1.  
 ③ For main breaker, order THQL, THHQL, or TXQL with mounting kit TQMH000.  
 ④ For main breaker, order THQMV main breaker (includes mounting base).  
 ⑤ Reverse-fed main breaker retainer is not available; customer supplied.

# GE OEM Load Center Parts Program

## Q Line Circuit Breakers

### Standard Circuit Breakers

- UL Listed (Molded-Case Circuit Breakers No. 489)
- Federal Government Specification Qualified (WC-375B)
- 60°/75° C Conductor Rating
- Quick-Make, Quick-Break
- Box-Type Terminals

Breaker-Type	Ampere-Rating	Wire-Size-AWG/ kcmil	
		Cu	Al
THQP	15–25	14–8	12–8
	30–50	8–4	8–2
THQL THHQL TXQL	15–30	14–8	12–8
	35–60	8–3	8–2
	70–100	6–1/0	4–1/0
	110–125	2–2/0	2–2/0
TQDL THQDL	125–200	1/0–250	1/0–250

Ampere Rating	10,000-AIC			22,000-AIC		65,000-AIC
	Type-THQP- 1/2" Module	Type-THQL-1" Module		Type-THHQL-1" Module		Type-TXQL-1" Module
	120/240- Vac	240- Vac	120/240- Vac	240- Vac	120/240- Vac	120/240- Vac
	Cat.-No.	Cat.-No.	Cat.-No.	Cat.-No.	Cat.-No.	Cat.-No.
<b>Single-Pole ①</b>						
15②	THQP115	THQL1115	—	THHQL1115	—	TXQL1115
20②	THQP120	THQL1120	—	THHQL1120	—	TXQL1120
25	THQP125	THQL1125	—	THHQL1125	—	TXQL1125
30	THQP130	THQL1130	—	THHQL1130	—	TXQL1130
35	THQP135	THQL1135	—	THHQL1135	—	—
40	THQP140	THQL1140	—	THHQL1140	—	—
45	THQP145	THQL1145	—	THHQL1145	—	—
50	THQP150	THQL1150	—	THHQL1150	—	—
Std. Pkg.	5 cartons of 20	5 cartons of 10	—	5 cartons of 10	—	5 cartons of 10
<b>Two-Pole ③ :-Incorporates-Internal-Common-Trip-Bar</b>						
15	THQP215	THQL2115	THQL2215	THHQL2115	THHQL2215	TXQL2115
20	THQP220	THQL2120	THQL2220	THHQL2120	THHQL2220	TXQL2120
25	THQP225	THQL2125	THQL2225	THHQL2125	THHQL2225	TXQL2125
30	THQP230	THQL2130	THQL2230	THHQL2130	THHQL2230	TXQL2130
35	THQP235	THQL2135	THQL2235	THHQL2135	THHQL2235	—
40	THQP240	THQL2140	THQL2240	THHQL2140	THHQL2240	—
45	THQP245	THQL2145	THQL2245	THHQL2145	THHQL2245	—
50	THQP250	THQL2150	THQL2250	THHQL2150	THHQL2250	—
60	—	THQL2160	THQL2260	THHQL2160	THHQL2260	—
70	—	THQL2170	THQL2270	THHQL2170	THHQL2270	—
80	—	THQL2180	THQL2280	THHQL2180	THHQL2280	—
90	—	THQL2190	THQL2290	THHQL2190	THHQL2290	—
100	—	THQL21100	THQL22100	THHQL21100	THHQL22100	—
110	—	THQL21110	—	THHQL21110	—	—
125	—	THQL21125	—	THHQL21125	—	—
Std. Pkg.	5 cartons of 10	5 cartons of 5	5 cartons of 5	5 cartons of 5	5 cartons of 5	5 cartons of 5
125	—	TQDL21125④	—	THQDL21125④	—	—
150	—	TQDL21150④	—	THQDL21150④	—	—
175	—	TQDL21175④	—	THQDL21175④	—	—
200	—	TQDL21200④	—	THQDL21200④	—	—
Std. Pkg.	—	10 cartons of 1	—	10 cartons of 1	—	—
<b>Three-Pole ③ :-Incorporates-Internal-Common-Trip-Bar</b>						
15	—	—	THQL32015	—	THHQL32015	TXQL32015
20	—	—	THQL32020	—	THHQL32020	TXQL32020
25	—	—	THQL32025	—	THHQL32025	TXQL32025
30	—	—	THQL32030	—	THHQL32030	TXQL32030
35	—	—	THQL32035	—	THHQL32035	—
40	—	—	THQL32040	—	THHQL32040	—
45	—	—	THQL32045	—	THHQL32045	—
50	—	—	THQL32050	—	THHQL32050	—
60	—	—	THQL32060	—	THHQL32060	—
70	—	—	THQL32070	—	THHQL32070	—
80	—	—	THQL32080	—	THHQL32080	—
90	—	—	THQL32090	—	THHQL32090	—
100	—	—	THQL32100	—	THHQL32100	—
Std. Pkg.	—	—	5 cartons of 3	—	5 cartons of 3	5 cartons of 3

① UL Listed as HACR (heating, air conditioning, and refrigeration).  
 ② UL Listed as SWD (switching duty). Suitable for 120 volts ac fluorescent lighting loads.  
 ③ 15–100 A UL Listed as HACR (heating, air conditioning, and refrigeration.).  
 ④ Requires four 1-inch spaces.

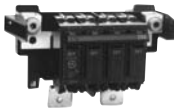
### Main Circuit Breaker Kits

- For use with PowerMark Gold OEM Interiors with TLM prefix.
- 60°/75° C Conductor Rating
- Quick-Make, Quick-Break
- Multipole Breakers Incorporate Internal Common Trip
- Box-Type Terminals

### PowerMark Gold™ Main Circuit Breakers

- Two-pole, 120/240 Vac
- For use with 150–225 A PowerMark Gold load centers
- 22 kAIC RMS symmetrical
- Includes mounting base
- For Specialty Load Center interiors with a main circuit breaker and lugs, use catalog number THQMV\_\_WL, with the appropriate main breaker rating inserted in the space.

Main-Breaker Rating,-A	Cat.-No.	
	Top-Feed	Bottom-Feed
100	THQMV100	THQMV100B
125	THQMV125	THQMV125B
150	THQMV150	THQMV150B
175	THQMV175	THQMV175B
200	THQMV200	THQMV200B
225	THQMV225	THQMV225B



THQMV200

### PowerMark Plus™ Main Circuit Breakers

- Three-pole, 240 Vac
- For use with 125-225A PowerMark Plus Interiors
- Line LUGs only included
- Breaker Mounting Bracket indicated on Drawings

Ampere Rating	Catalog-Number		Wire Range
	10- kAIC	22- kAIC	
100	TQD32100X2	THQD32100X2	#1–300 Cu or 2/0–300 Al
125	TQD32125X2	THQD32125X2	
150	TQD32150X2	THQD32150X2	
175	TQD32175X2	THQD32175X2	
200	TQD32200X2	THQD32200X2	
225	TQD32225X2	THQD32225X2	

### PowerMark Gold Main Circuit Breaker Kits

- Two-pole, 120/240 Vac or 240 Vac
- For use with 125 A PowerMark Gold load centers

Cat.-No.	
Main-Breaker-Kit	Description
TQMH000	Order appropriate THQL (10 kAIC) or THHQL (22 kAIC) breakers separately



TQMH000  
with breaker

### Main Breaker Retainers

For Main Lug Load Centers Using a Back-Fed Branch Breaker as a Main

Load-Center	Breaker	Cat.-No.	Std. Pkg.
TL (225 A max)	THQL	THQLRK	1
	TQDL	TQDLRK	
PowerMark Gold	THQL	THQLRK1	
		THQLRK2 <sup>①</sup>	



THQLRK1

① For six- or eight-circuit load centers.



# GE OEM Load Center Parts Program

## Q Line Circuit Breakers

### Surge Arrester

- UL Listed (1449)
- Meets ANSI/IEEE Standard C62.11-1987
- Protects all circuits connected to load centers in which it is installed

Response Time:	Less than 1 nanosecond
Clamping voltage:	500 V
Maximum surge current:	27,000 A
Reaction time:	1 microsecond

Cat.-No.
THQLSURGE



THQLSURGE

### Arc Fault Circuit Interrupters

- UL Listed (Molded-Case Circuit Breakers No. 489)
- UL Classified for mitigating the effects of arc faults
- 10 kAIC RMS symmetrical

Ampere Rating	1-Pole, 120/240- Vac
	Cat.-No.
15	THQL1115AF
20	THQL1120AF



THQL1115AF

### CB3® Ground Fault

- UL Listed (Molded-Case Circuit Breakers No. 489 and Ground Fault Circuit Interrupters No. 943)
- Class A (.005 Ampere ground fault trip level)

Ampere Rating	1-Pole	2-Pole
	120- Vac Cat.-No.	120/240- Vac Cat.-No.
10 kAIC	15	THQL1115GF THQL2115GF1
	20	THQL1120GF THQL2120GF1
	30	THQL1130GF THQL2130GF1
	40	— THQL2140GF1
22 kAIC	50	— THQL2150GF1
	15	THHQ1115GF —
	20	THHQ1120GF —
	30	THHQ1130GF —
Std. Pkd.	10 cartons of 1	10 cartons of 1



THQL1120GF

### Switching Neutral

- UL Listed (Molded-Case Circuit Breakers No. 489)
- 10 kAIC RMS symmetrical
- Standard one- or two-pole automatic breaker plus one fully rated, nonautomatic pole

Rating, -A	1-Pole-plus Switching-Neutral	2-Pole-plus Switching-Neutral
	120/240- Vac Cat.-No.	120/240- Vac Cat.-No.
15	THQL21WY15	THQL31WY15
20	THQL21WY20	THQL31WY20
25	THQL21WY25	THQL31WY25
30	THQL21WY30	THQL31WY30
Std. Pkg.	5 cartons of 5	5 cartons of 5



THQL21WY20

# GE OEM Load Center Parts Program

## Q Line Circuit Breakers

### HID Lighting

- UL Listed (Molded-Case Circuit Breakers No. 489)
- HID breakers have been designed to handle the current and voltage spikes that result when gaseous discharge lamps, including fluorescent and HID lamps, are switched on and off.

Ampere Rating	1-Pole	2-Pole
	120/240- Vac Cat.-No.	120/240- Vac Cat.-No.
10 kAIC	15 THQL1115HID①	THQL2115HID
	20 THQL1120HID①	THQL2120HID
	30 THQL1130HID	THQL2130HID
22 kAIC	15 THHQL1115HID①	THHQL2115HID
	20 THHQL1120HID①	THHQL2120HID
	30 THHQL1130GF	THHQL2130HID
Std. Pkg.	5 cartons of 10	5 cartons of 10

① UL Listed as SWD (switching duty). Suitable for 120 Vac fluorescent lighting loads.



THQL1120HID

### High Magnetic

- UL Listed (Molded-Case Circuit Breakers No. 489)
- 10 kAIC RMS symmetrical
- High short-circuit setting suitable for circuits with inherent high in-rush load currents

Ampere Rating	1-Pole 120- Vac Cat.-No.
15	THQL1115HM
20	THQL1120HM
25	THQL1125HM
30	THQL1130HM
40	THQL1140HM
50	THQL1150HM
Std. Pkg.	5 cartons of 10



THQL1140HM

### Molded-Case Switches

- UL Listed (Molded-Case Switches No. 1087)
- Without overload or short-circuit protection

Vac	Rating, A	2-Pole Cat.-No.	3-Pole Cat.-No.
120/240	60	RQL21Y60	—
	100	TQL21Y100	—
240	60	TQL22Y60	TQL32Y60
	100	TQL22Y100	TQL32Y100
Std. Pkg.		5 cartons of 5	5 cartons of 3



TQL21Y100

### TQ Circuit Breakers

- 3/4-inch wide
- 10 kAIC RMS symmetrical
- UL Classified
- For use in Square D QO® load centers

Rating, A	1-Pole Cat.-No.	2-Pole Cat.-No.
15	TQ1115	TQ2115
20	TQ1120	TQ2120
30	TQ1130	TQ2130
40	TQ1140	TQ2140
50	TQ1150	TQ2150
60	—	TQ2160
Std. Pkg.	1 carton of 10	1 carton of 5



TQ1120

### Equipment Ground Kits

#### PowerMark Plus Equipment Ground Kits

Number-of-Terminals			Cat.-No.	Std.-Pkg.
Small-14-8 Cu, 12-8-Al	Large-14-4 Cu, 12-4-Al	Other-AWG/ kcmil-Cu/Al		
4	3	—	TGL1 ①	20
7	—	—	TGL3 ①	
11	3	—	TGL2 ②	
14	—	—	TGL4 ②	
10	2	(1) 14-2	TGL8 ②	
—	—	(1) 6-2/0	TGL20 ③	
—	—	(3) 10-1/0	TNG3 ④	
—	—	(6) 10-1/0	TNG6 ④	

- ① TGL1 and TGL3 mount interchangeably.
- ② TGL2, TGL4, and TGL8 mount interchangeably.
- ③ Add-on equipment ground lug (for use on any TGL kit).
- ④ Suitable only for 400 and 600 amp devices.

1

#### PowerMark Gold and Three-Phase PowerMark Plus Equipment Ground and Isolated Ground Bus Bar

Description-(4-14-Cu/10-12-Al-Wire Ranges per-Hole, Solid or Stranded)	Cat.No.	Std.Pkg.
12-hole Ground	TGK12	1
24-Hole Ground	TGK24	
32-Hole Ground	TGK32	
42-Hole Ground	TGK42	
Isolated Ground Bus Bar Kit (Order with TGK Equipment Ground Kits)	TGKIS	



TGL2



TGK12 with TGKIS



TGK12

### Neutral Kits

#### PowerMark Plus Neutral Kits

Wire-Size-AWG/ kcmil-Cu/Al	Cat.-No.	Std.-Pkg.
(5) 14-1/0	TNLK1 ①	1
(3) 1-300	TNLK2 ①	
(1) 6-2/0	286A8894G1 ②	
(1) 1-300 Cu or 2/0-300 Al	192A7663G13 ②	

- ① Suitable only for 400 and 600 amp devices.
- ② Add-on neutral lug kit for 100-200 amp load centers.

#### PowerMark Gold Neutral and Neutral Ground Kits

Description	Wire-Size, Cu/Al	Cat.-No.	Std.-Pkg.
Neutral	6-1	TNLK12	1
Neutral	6-2/0	TNLK20	
Neutral	6-250	TNLK250	
Neutral/Ground	6-2/0	TLK20	
Neutral/Ground	6-250	TLK250	



TNLK1



TLK20 shown attached to neutral/ground bar



TLK250 shown attached to neutral/ground bar



TNLK20



TNLK250



TLK20



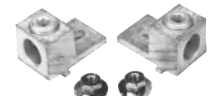
TLK250

### Main Lug Kits

Load-Center-Type	Wire-Size AWG/kcmil-Cu/Al	Ampere-Rating	Cat.-No.
PowerMark Plus	2-3/0	150	THLK150
	1-250	200	THLK200
PowerMark Gold	6-2/0	125	TMLK125
	6-250	200	TMLK200
	6-300	225	TMLK225



THLK200



TMLK200

# GE OEM Load Center Parts Program

## Load Center Accessories

### Door Lock

Description	Cat.-No.	Std.-Pkg.
For all indoor load centers except TPL412	TDL106	10



TDL106

### Circuit Directory

Description	Cat.-No.	Std.-Pkg.
Card and holder with pressure-sensitive backing. Mounts inside door.	TD42	1



TD42

### Touch-Up Paint

Description	Cat.-No.	Std.-Pkg.
12.75 oz. spray can of light-gray enamel	TSP61	1



TSP61

### Front Filler Plates

(to cover rectangular breaker knockouts)

Knockout-Width	Cat.-No.	Std.-Pkg.
1/2"	TFH	100
1"	TQLFP1	50



TFH

### Universal Rain-Tight Hubs (Aluminum)

For Outdoor Enclosures with Removable Closing Caps

Nominal-Conduit-Diameter in-Inches	Cat.-No.	Std.-Pkg.
3/4	TC75	10
1	TC100	
1 1/4	TC125	
1 1/2	TC150	
2	TC200	
2 1/2	TC250	
Closing Cap	TCCP	5
3	TC300	



TC150

### Door Handles

Location-of-Main-Lugs-or Main-Breaker	Cat.-No.	Std.-Pkg.
Top	TRL22	1
Bottom	TRL22B	



TRL22

### Handle Locks (Padlocking)

ON or OFF, Snap-On, Padlock Not Included

Breaker	Cat.-No.	Std.-Pkg.
THQP	TQPPL	10
THQL	THP100	
TQDL	TQDLPDL1	
TQD	TQOPLD1	



THP100

### Handle Locks (Non-Padlocking)

ON or OFF, Snap-On

Breaker	Cat.-No.	Std.-Pkg.
THQP	TQPL	10
THQL	THL103	



THL103

### Handle Ties

For Two Single-Pole Breakers

(all multipole breakers have internal common trip)

Breaker	Description	Cat.-No.	Std. Pkg.
THQP	Solid Snap-On Trip Indicating	THT1	100
	For two THQPs separated by two side-by-side THQPs	THT2	20
THQL	Solid Snap-On	THT104	50
	Trip Indicating	TQHT1	20



THT1, THT2, THT104

### Load Center Hardware & Hardware Kits

Description	Cat.-No.	Std.-Pkg.
PowerMark Gold bond screw kit with one bond screw	TBS	1
PowerMark Gold hardware kit with 20 front-mounting screws	THDWRKIT	

### Residential Circuit Breaker Enclosures

- UL Listed
- Suitable for use as service entrance
- Short-circuit ratings equal to the installed breaker
- Steel enclosures



TQD200NRE

Breaker Type	Max. Amp Rating	Poles	Cat.-No.	
			Type-1-Indoor Enclosure ①	Type-3R-Outdoor Enclosure ②
THQL, THQL-GF, TXQL	100	1, 2, 3	—	TQL100RE ③
			TQL100F	TQL100R
			TQL100S	
TQD, THQD	225	2	—	TQD225NR ④
			—	TQD150NRE ⑤
			—	TQD200NRE ⑤
		2, 3	TQD225F	TQD225R
—	TQD225S			
THQMV	—	2	—	THMQMV150NRE ⑤
—	—	—	—	THMQMV200NRE ⑤

① F – flush, S – surface, C – combination

② 100– 250 A devices have removable closing caps. Larger amp devices require field-cut openings. Order hubs separately.

③ 100 A circuit breaker factory installed.

④ Suitable only for two-pole breaker.

⑤ 150 and 200 A circuit breaker factory installed.

### Subfeed and Feed-Through Lugs

- UL Listed
- For use in load centers to economically supply power to subpanel
- Includes mounting base

Poles	Rating-A	Cat.-No.
2	125	THLK2125
3	125	THLK3125
2	150	THLK2150 ①
2	200	THLK2200 ①
3	225	THLK3225 ①



THLK2125

① For use with PowerMark Gold load centers only.

### Interior Assembly

Part Number	Description	Min. Qty.	Master Pack Qty.
TLM612U2	Interior with neutral, 6 Circuit, 125 A, Cu	1	10
TLM612U2N	Interior without neutral, 6 Circuit, 125 A, Cu	1	10
THDWRKIT2	Interior Mounting Screw Kit	10	10

### Front Assembly

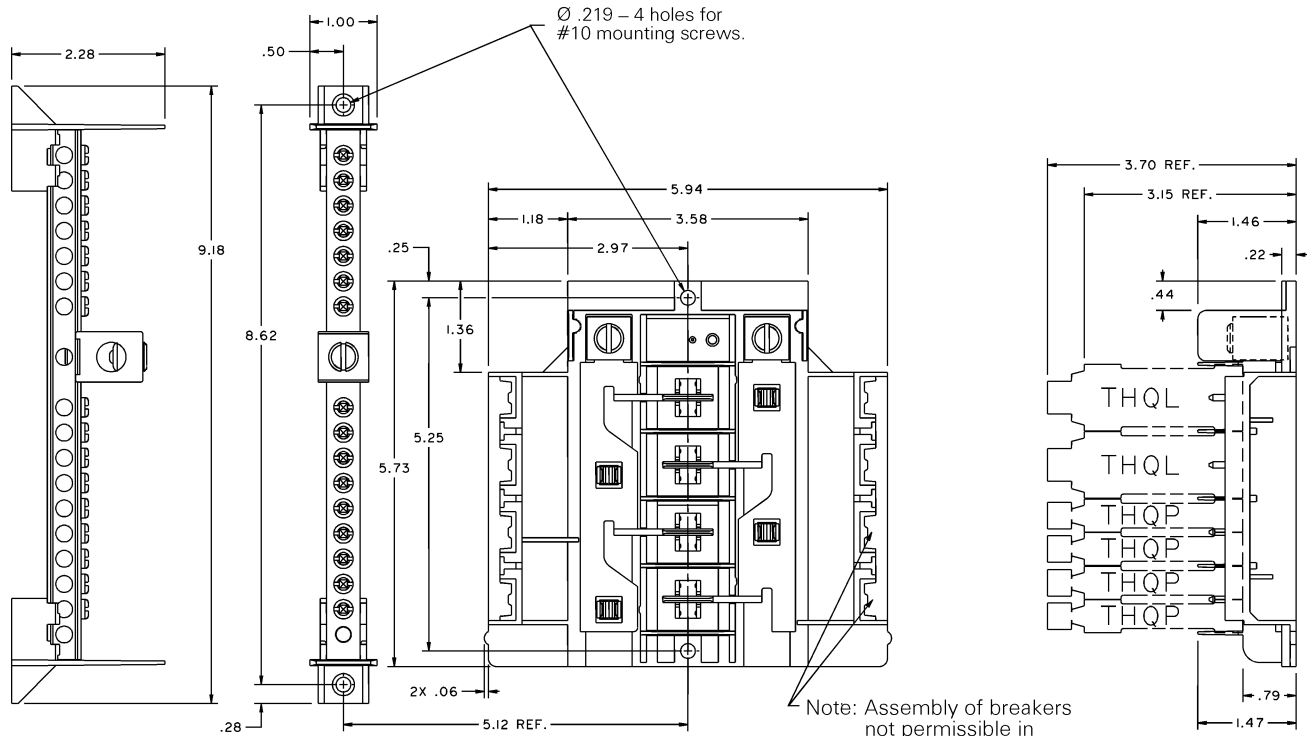
TLM6FC	Flush Front, TLM612FCU	1	1
TLM6FCD	Flush Front with Door, TLM612FCUD	1	1
TLM6SC	Surface Front, TLM612SCU	1	1
TLM6SCD	Surface Front with Door, TLM612SCUD	1	1
THDWRKIT	Front Mounting Screw Kit	20	1

### Box Assembly

LC612BOX	Box Assembly	1	72
----------	--------------	---	----

### Accessories

TBS	Bonding Screw Kit	1	1
TGK12	Equipment Ground Kit	1	200



Single-phase, three-wire, 120/240 Vac  
Factory-installed main lugs.

OEM interiors are UL-recognized components listed under UL file E21790.

Main Ampere Rating	Maximum Spaces				Total 1-Pole Spaces
	1" THQL		1/2" THQL		
	1-Pole	2-Pole	1-Pole	2-Pole	
125	6	3	12	4	12

### Equipment Ground Terminations

Solid, AWG	Stranded, AWG
14-4 Cu	14-4 Cu
12-10 Al	12-4 Al

UL listed (Panelboards No. 67)

60° C and 75° C conductor rating.

22,000 amperes RMS symmetrical short-circuit rating.

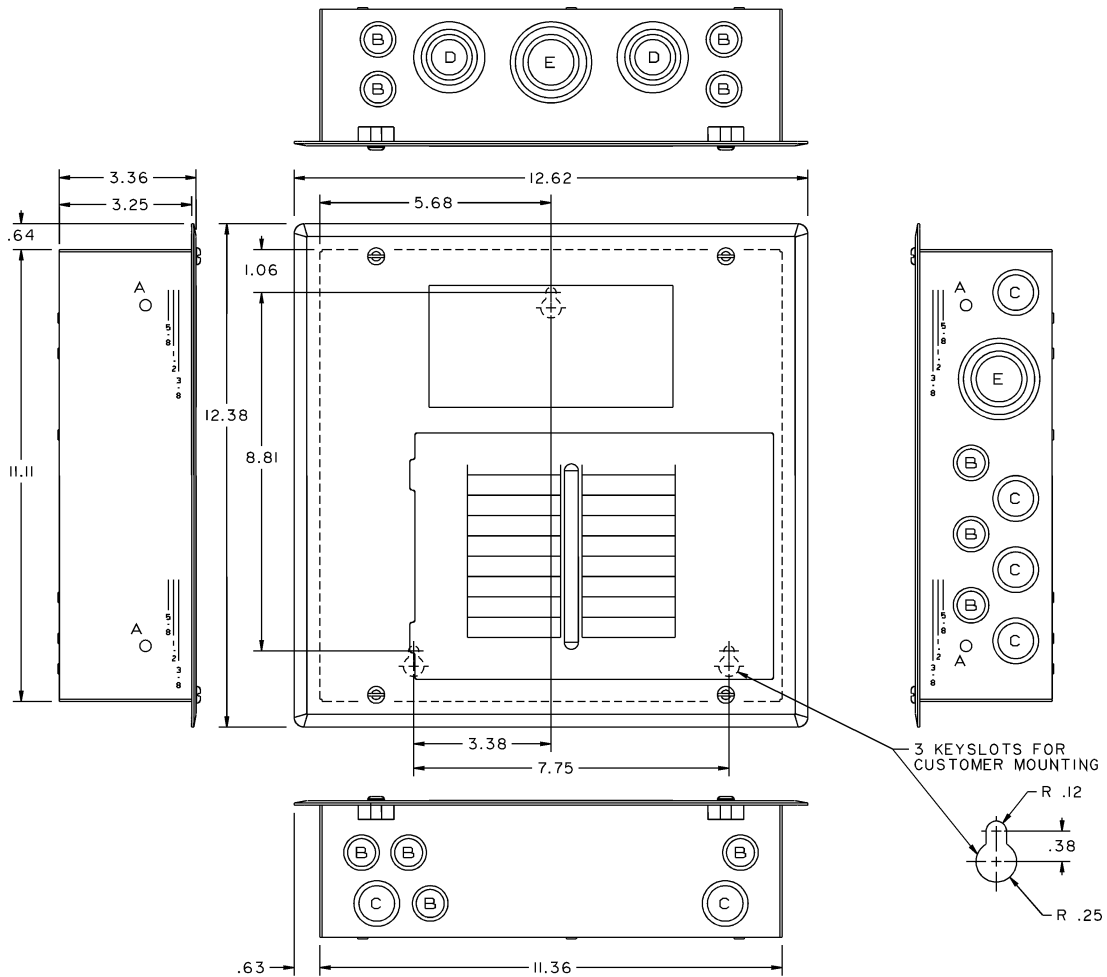
### Neutral Terminations

Solid, AWG	Stranded, AWG
14-10 Cu	14-4 Cu
12-10 Al	12-4 Al

### Wire Sizes

Line	Neutral Lugs
6-3 Cu-Al	6-2/0 Cu-Al

### Flush Mount – TLM612FCU



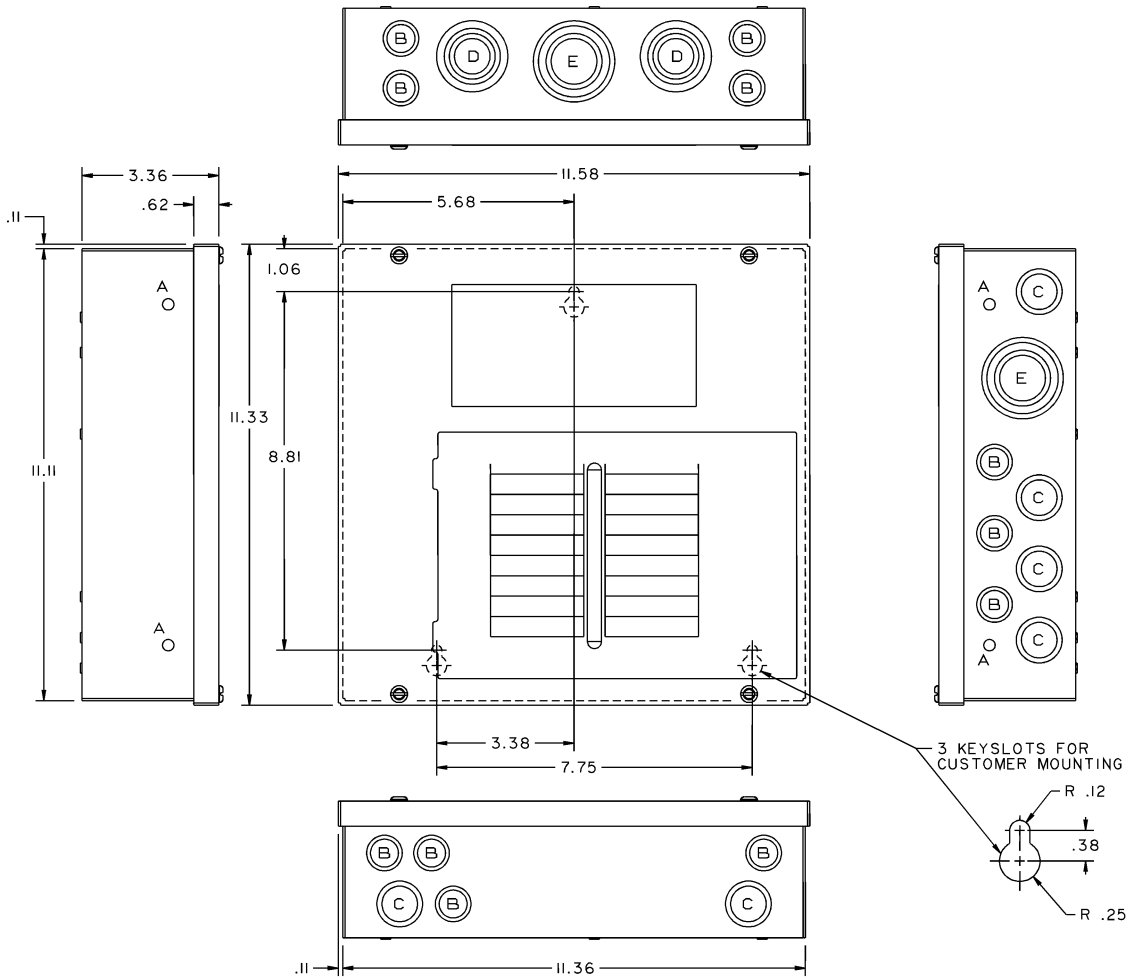
KNOCKOUT LEGEND	
SYM	DESCRIPTION
A	9/32 KNOCKOUT
B	3/8 X 1/2 KNOCKOUT
C	1/2 X 3/4 KNOCKOUT
D	1/2 X 3/4 X 1 X 1-1/4 KNOCKOUT
E	3/4 X 1 X 1-1/4 X 1-1/2 KNOCKOUT

UL listed (Panelboards No. 67)

60° C and 75° C conductor rating.

22,000 amperes RMS symmetrical short-circuit rating.

**Surface Mount – TLM612SCU**



KNOCKOUT LEGEND	
SYM	DESCRIPTION
A	9/32 KNOCKOUT
B	3/8 X 1/2 KNOCKOUT
C	1/2 X 3/4 KNOCKOUT
D	1/2 X 3/4 X 1 X 1-1/4 KNOCKOUT
E	3/4 X 1 X 1-1/4 X 1-1/2 KNOCKOUT



### Interior Assembly

Part Number	Description	Min. Qty.	Master Pack Qty.
TLM812U2	Interior with neutral, 8 Circuit, 125 A, Cu	1	10
TLM812U2N	Interior without neutral, 8 Circuit, 125 A, Cu	1	10
THDWRKIT2	Interior Mounting Screw Kit	10	10

### Front Assembly

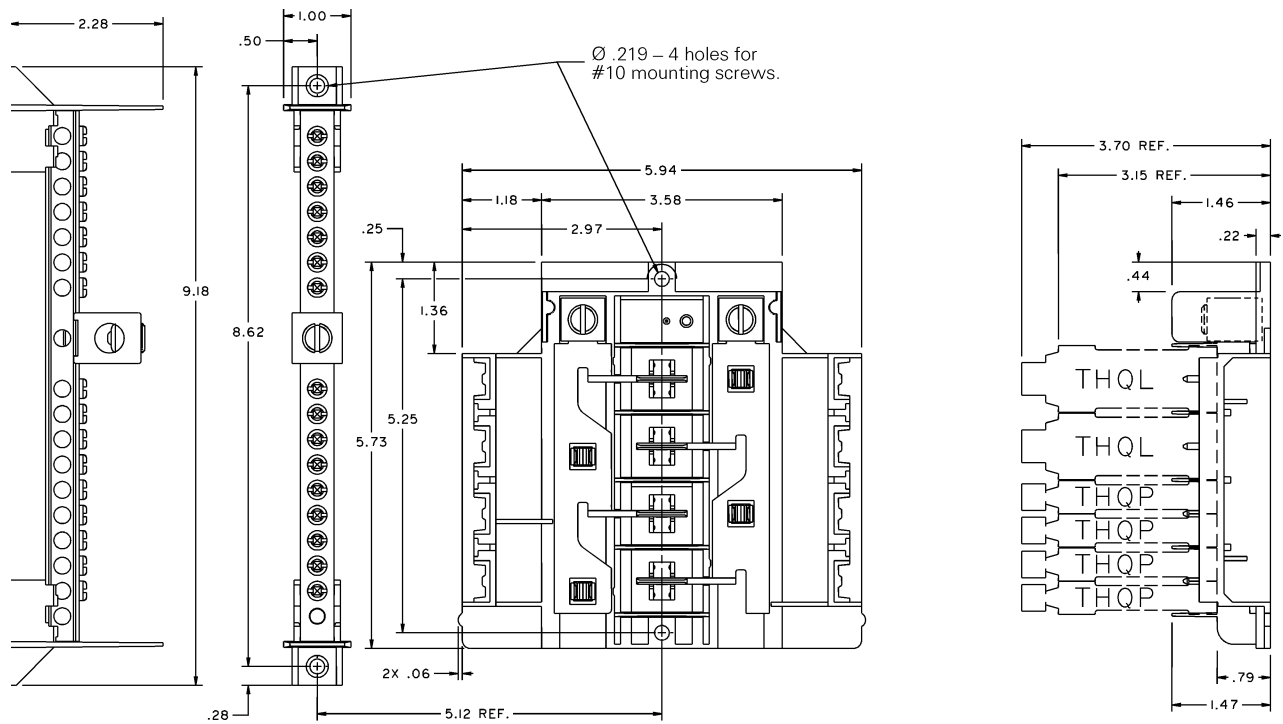
TLM8FC	Assembly, Front and Pan, Flush Mount	1	1
TLM8FCD	Door, Flush Mount, Front Assembly	1	1
TLM8SC	Assembly, Front and Pan, Surface Mount	1	1
TLM8SCD	Door, Surface Mount, Front Assembly	1	1
THDWRKIT	Front Mounting Screw Kit	20	20

### Box Assembly

LC612BOX	Box Assembly	1	72
----------	--------------	---	----

### Accessories

TBS	Bonding Screw Kit	1	1
TGK12	Equipment Ground Kit	1	200



Single-phase, three-wire, 120/240 Vac  
Factory-installed main lugs.

OEM interiors are UL-recognized components listed under UL file E21790.

Main Ampere Rating	Maximum Spaces				Total 1-Pole Spaces
	1" THQL		1/2" THQL		
	1-Pole	2-Pole	1-Pole	2-Pole	
125	8	4	16	6	16

### Equipment Ground Terminations

Solid, AWG	Stranded, AWG
14-4 Cu	14-4 Cu
12-10 Al	12-4 Al

UL listed (Panelboards No. 67)

60° C and 75° C conductor rating.

22,000 amperes RMS symmetrical short-circuit rating.

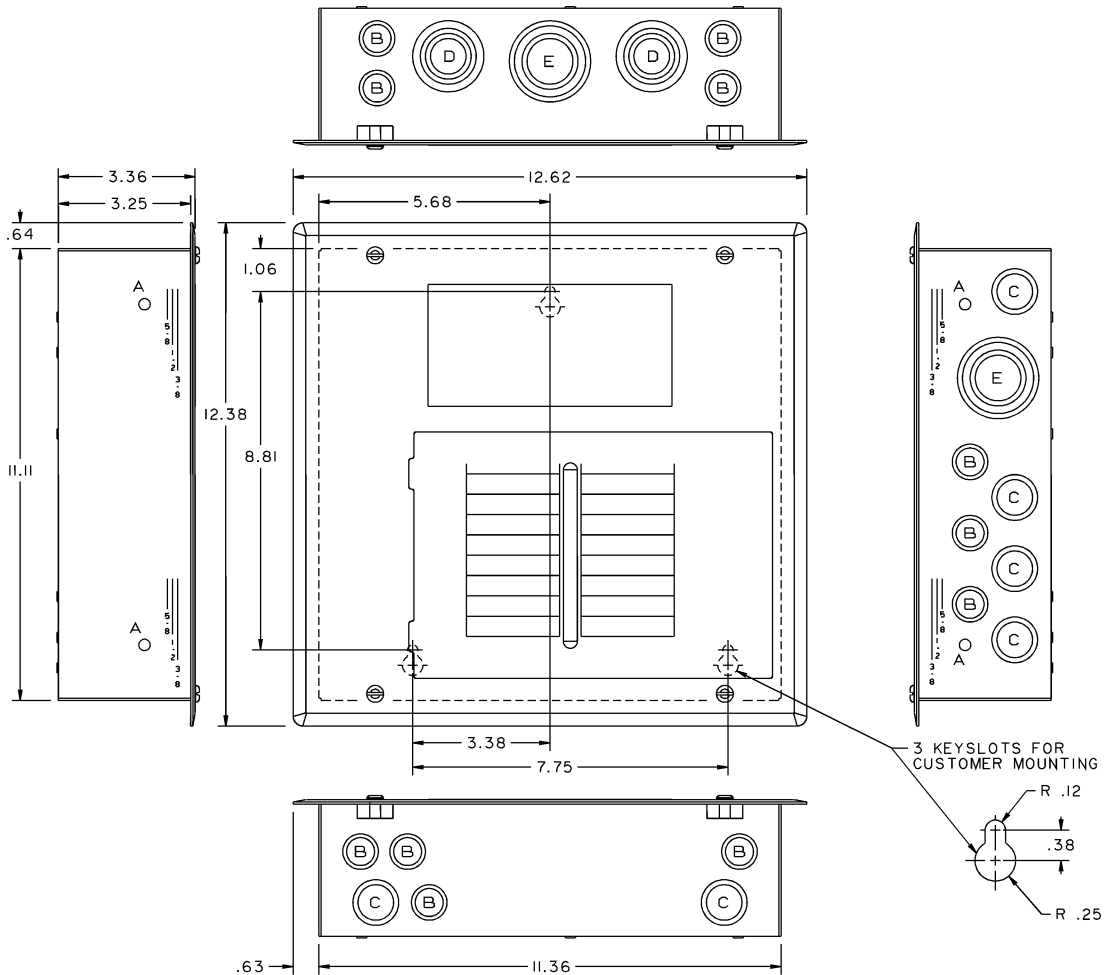
### Neutral Terminations

Solid, AWG	Stranded, AWG
14-10 Cu	14-4 Cu
12-10 Al	12-4 Al

### Wire Sizes

Line	Neutral Lugs
6-3 Cu-Al	6-2/0 Cu-Al

### Flush Mount – TLM812FCU



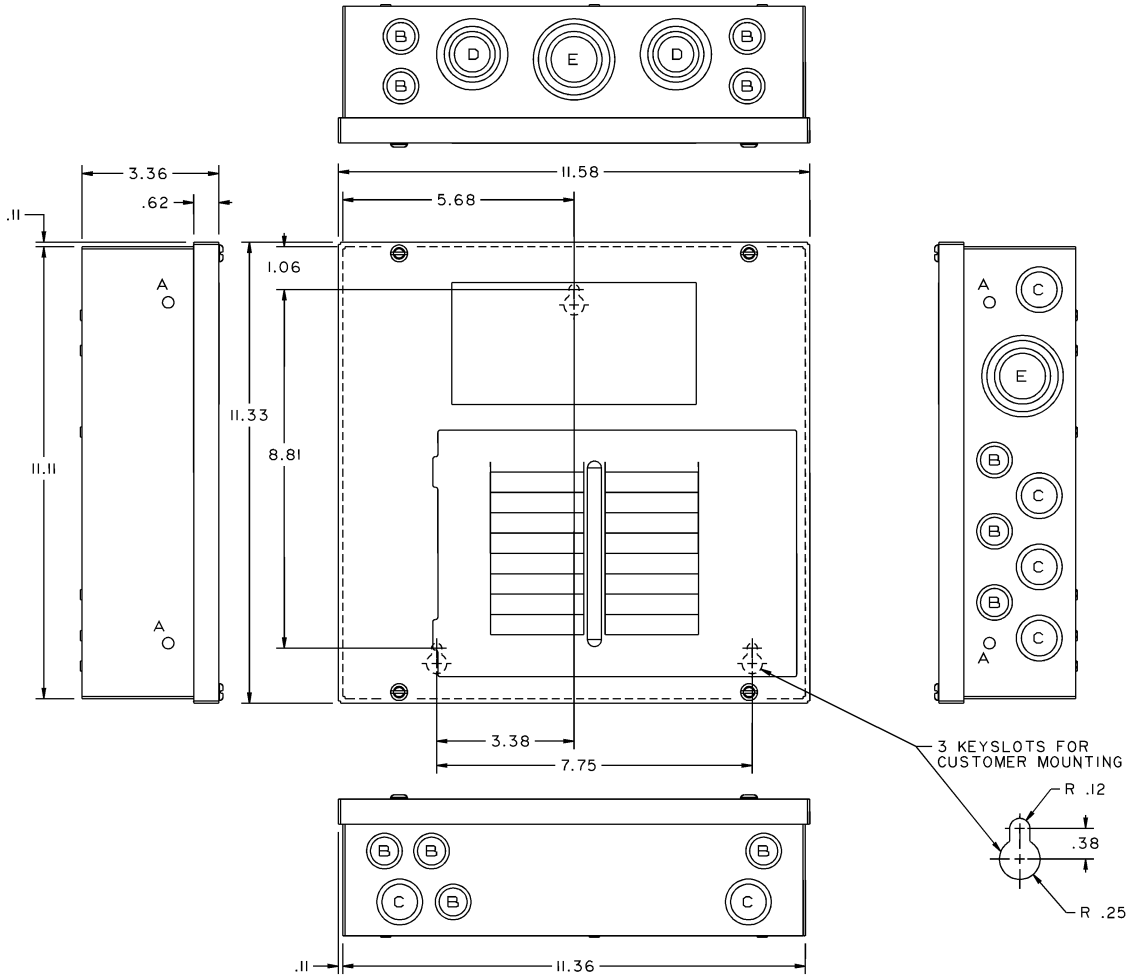
KNOCKOUT LEGEND	
SYM	DESCRIPTION
A	9/32 KNOCKOUT
B	3/8 X 1/2 KNOCKOUT
C	1/2 X 3/4 KNOCKOUT
D	1/2 X 3/4 X 1 X 1-1/4 KNOCKOUT
E	3/4 X 1 X 1-1/4 X 1-1/2 KNOCKOUT

UL listed (Panelboards No. 67)

60° C and 75° C conductor rating.

22,000 amperes RMS symmetrical short-circuit rating.

**Surface Mount – TLM812SCU**



KNOCKOUT LEGEND	
SYM	DESCRIPTION
A	9/32 KNOCKOUT
B	3/8 X 1/2 KNOCKOUT
C	1/2 X 3/4 KNOCKOUT
D	1/2 X 3/4 X 1 X 1-1/4 KNOCKOUT
E	3/4 X 1 X 1-1/4 X 1-1/2 KNOCKOUT

### Interior Assembly

Part Number	Description	Min. Qty.	Master Pack Qty.
TLM1212U2	Interior, 12 circuit, 100–125 A, Cu	1	10
THDWRKIT2	Interior Mounting Screw Kit	10	10

### Front Assembly

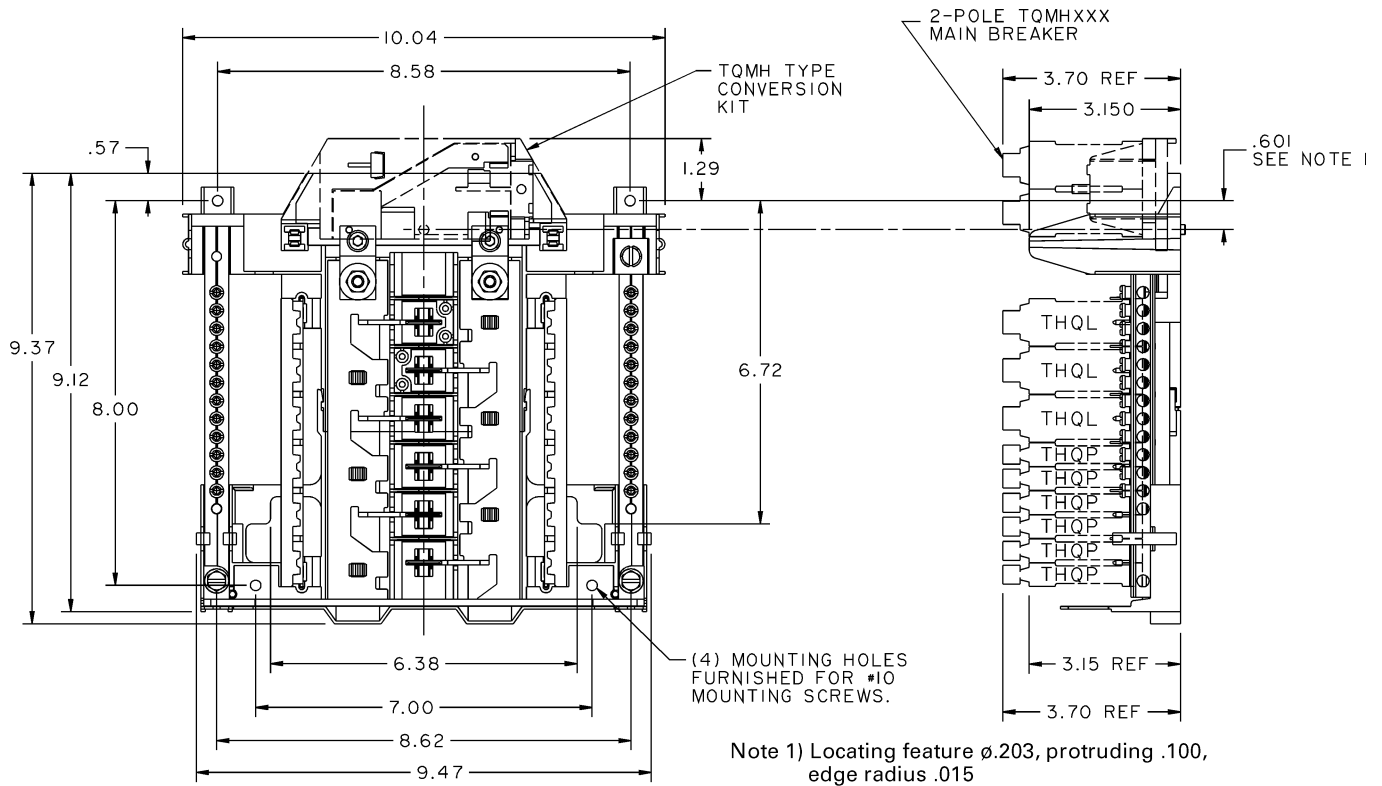
TLM12BC TM12FC	Assembly, Front and Pan For convertible main For main breaker units	1	1
139C5515P2	Door	1	1
192A6597P1	Hinge	3	1200
THDWRKIT	Front Mounting Screw Kit	20	20

### Box Assembly

LC1212BOX	Box Assembly	1	40
-----------	--------------	---	----

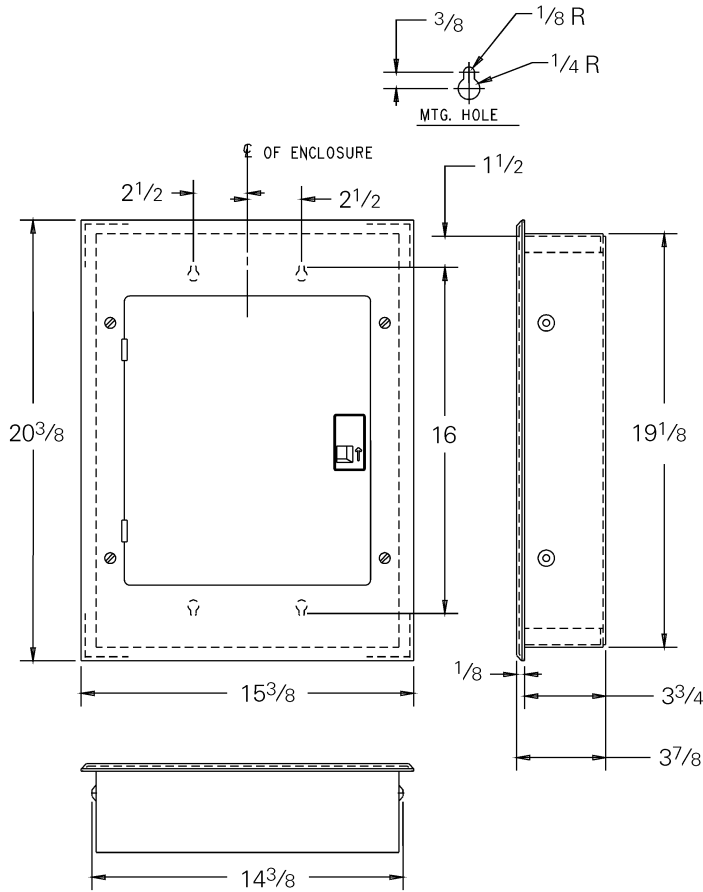
### Accessories

TBS	Bonding Screw Kit	1	1
TGK12, TGK24	Equipment Ground Kit	1	200



OEM interiors are UL-recognized components listed under UL file E21790.

Main Ampere Rating	Maximum Spaces				Total 1-Pole Spaces	Main Breaker Conv Kit
	1" THQL		1/2" THQL			
	1-Pole	2-Pole	1-Pole	2-Pole		
125	12	6	24	10	24	TQMH000



### Equipment Ground Terminations

Solid, AWG	Stranded, AWG
14-4 Cu	14-4 Cu
12-10 Al	12-4 Al

### Neutral Terminations

Solid, AWG	Stranded, AWG
14-10 Cu	14-4 Cu
12-10 Al	12-4 Al

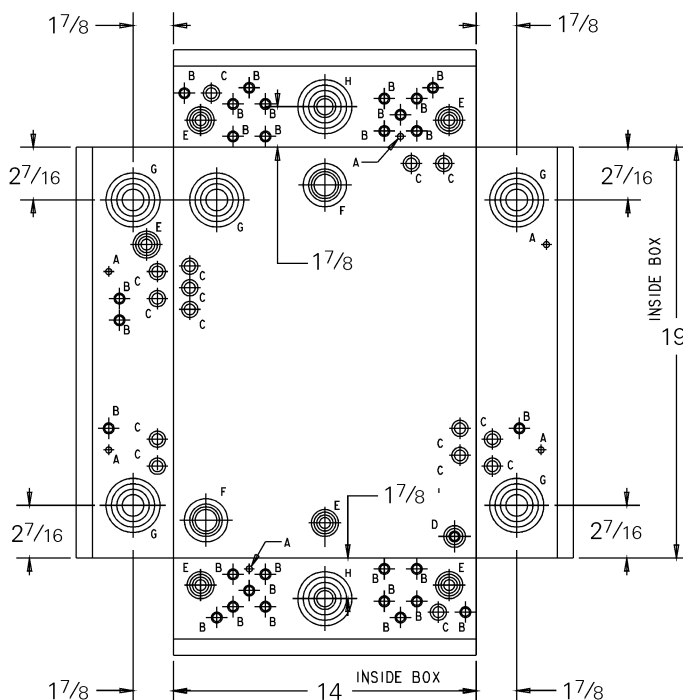
### Wire Sizes

Line	Neutral Lugs
6-2/0 Cu-Al (TLM1212)	6-2/0 Cu-Al
4-1/0 Cu-Al (TM1210)	
1-2/0 Cu-Al (TM1212)	

UL listed (Panelboards No. 67)

60° C and 75° C conductor rating.

22,000 amperes RMS symmetrical short-circuit rating.



### KNOCKOUT DIAGRAM

NOTE: ALL K.O. LOCATING DIMENSIONS ARE INSIDE OF BOX.

- A = 9/32 K.O.
- B = 3/8 X 1/2 K.O.
- C = 1/2 X 3/4 K.O.
- D = 3/8 X 1/2 X 3/4 X 1 K.O.
- E = 1/2 X 3/4 X 1 X 1 1/4 K.O.
- F = 1 X 1 1/4 X 1 1/2 X 2 K.O.
- G = 1 X 1 1/2 X 2 X 2 1/2 K.O.
- H = 3/4 X 1 X 1 1/4 X 1 1/2 X 2 X 2 1/2 K.O.

### Interior Assembly

Part Number	Description	Min. Qty.	Master Pack Qty.
TLM1612U2	Interior, 16 circuit, 125 A, Cu	1	10
THDWRKIT2	Interior Mounting Screw Kit	10	10

### Front Assembly

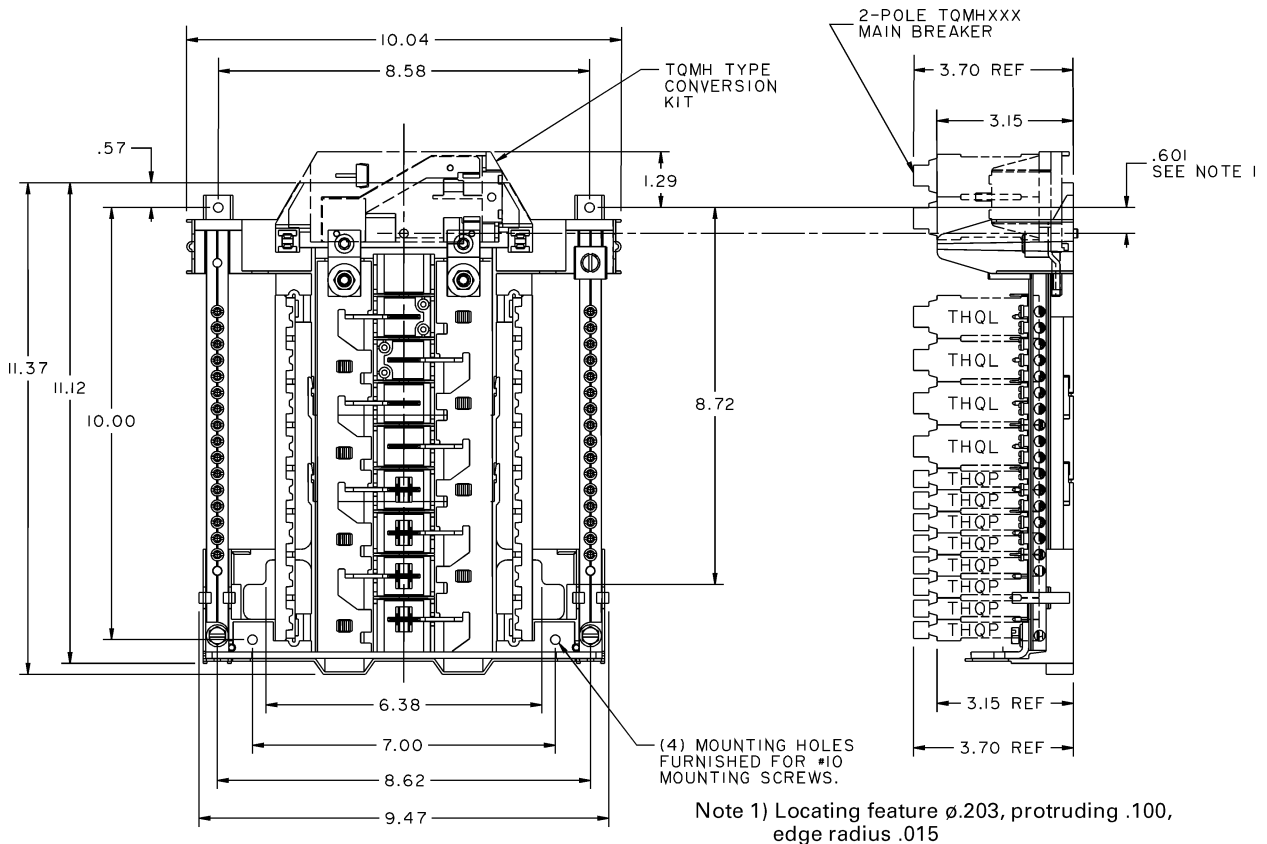
TLM16DC TM16EC	Assembly, Front and Pan For convertible main For main breaker units	1	1
139C5515P2	Door	1	1
192A6597P1	Hinge	3	1200
THDWRKIT	Front Mounting Screw Kit	20	20

### Box Assembly

LC1212BOX	Box Assembly	1	40
-----------	--------------	---	----

### Accessories

TBS	Bonding Screw Kit	1	1
TGK12, TGK24	Equipment Ground Kit	1	200



OEM interiors are UL-recognized components listed under UL file E21790.

Main Ampere Rating	Maximum Spaces				Total 1-Pole Spaces	Main Breaker Conv Kit
	1" THQL		1/2" THQL			
	1-Pole	2-Pole	1-Pole	2-Pole		
125	16	8	16	6	24	TQMH000



### Interior Assembly

Part Number	Description	Min. Qty.	Master Pack Qty.
TLM2412U2	Interior, 24 circuit, 125 A, Cu	1	10
THDWRKIT2	Interior Mounting Screw Kit	10	10

### Front Assembly

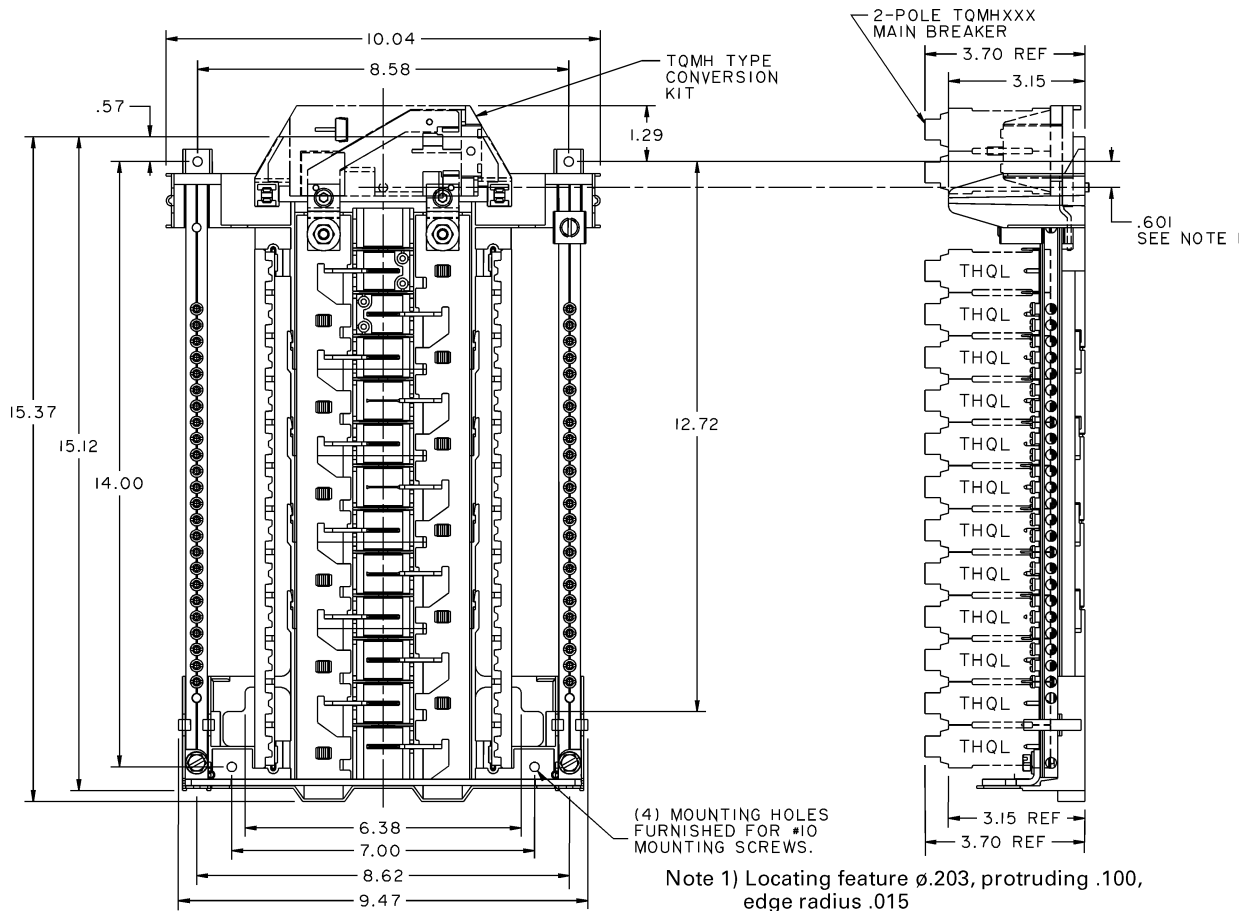
TLM24BC	Assembly, Front and Pan	1	1
139C5515P3	Door	1	1
192A6597P1	Hinge	3	1200
THDWRKIT	Front Mounting Screw Kit	20	20

### Box Assembly

LC24415BOX	Box Assembly	1	24
------------	--------------	---	----

### Accessories

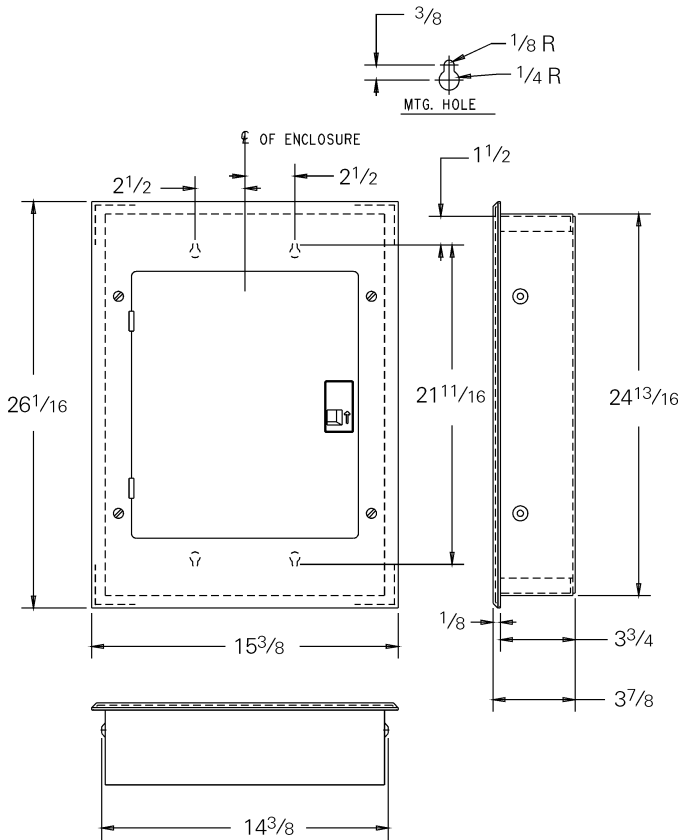
TBS	Bonding Screw Kit	1	1
TGK24	Equipment Ground Kit	1	1



OEM interiors are UL-recognized components listed under UL file E21790.

Main Ampere Rating	Maximum Spaces				Total 1-Pole Spaces	Main Breaker Conv Kit
	1" THQL		1/2" THQL			
	1-Pole	2-Pole	1-Pole	2-Pole		
125	24	12	—	—	24	TQMH000





### Equipment Ground Terminations

Solid, AWG	Stranded, AWG
14-4 Cu	14-4 Cu
12-10 Al	12-4 Al

### Neutral Terminations

Solid, AWG	Stranded, AWG
14-10 Cu	14-4 Cu
12-10 Al	12-4 Al

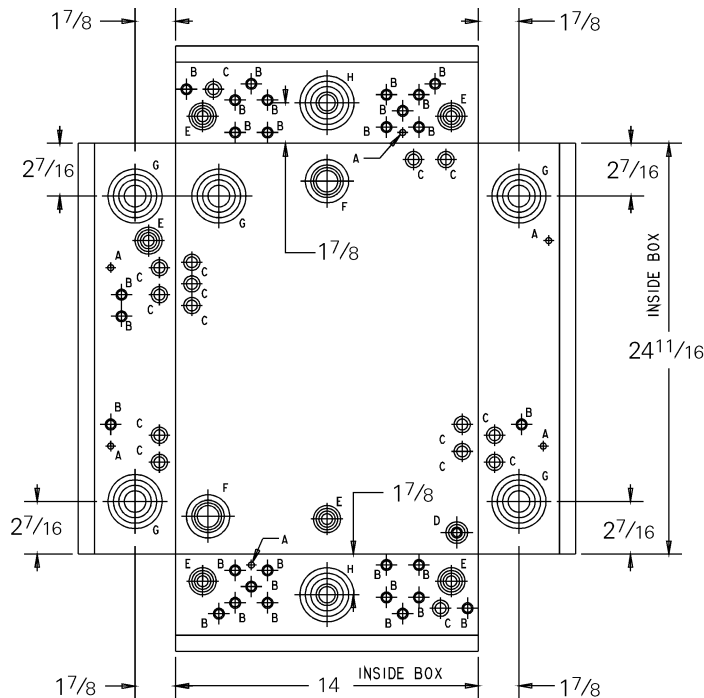
### Wire Sizes

Line	Neutral Lugs
6-2/0 Cu-Al (TLM)	6-2/0 Cu-Al
1-2/0 Cu-Al (TM)	

UL listed (Panelboards No. 67)

60° C and 75° C conductor rating.

22,000 amperes RMS symmetrical short-circuit rating.



### KNOCKOUT DIAGRAM

NOTE: ALL K.O. LOCATING DIMENSIONS ARE INSIDE OF BOX.

- A = 9/32 K.O.
- B = 3/8 X 1/2 K.O.
- C = 1/2 X 3/4 K.O.
- D = 3/8 X 1/2 X 3/4 X 1 K.O.
- E = 1/2 X 3/4 X 1 X 1 1/4 K.O.
- F = 1 X 1 1/4 X 1 1/2 X 2 K.O.
- G = 1 X 1 1/2 X 2 X 2 1/2 K.O.
- H = 3/4 X 1 X 1 1/4 X 1 1/2 X 2 X 2 1/2 K.O.

### Interior Assembly

Part Number	Description	Min. Qty.	Master Pack Qty.
TLM2415U2	Interior, 24 circuit, 150 A, Cu	1	10
THDWRKIT2	Interior Mounting Screw Kit	10	10

### Front Assembly

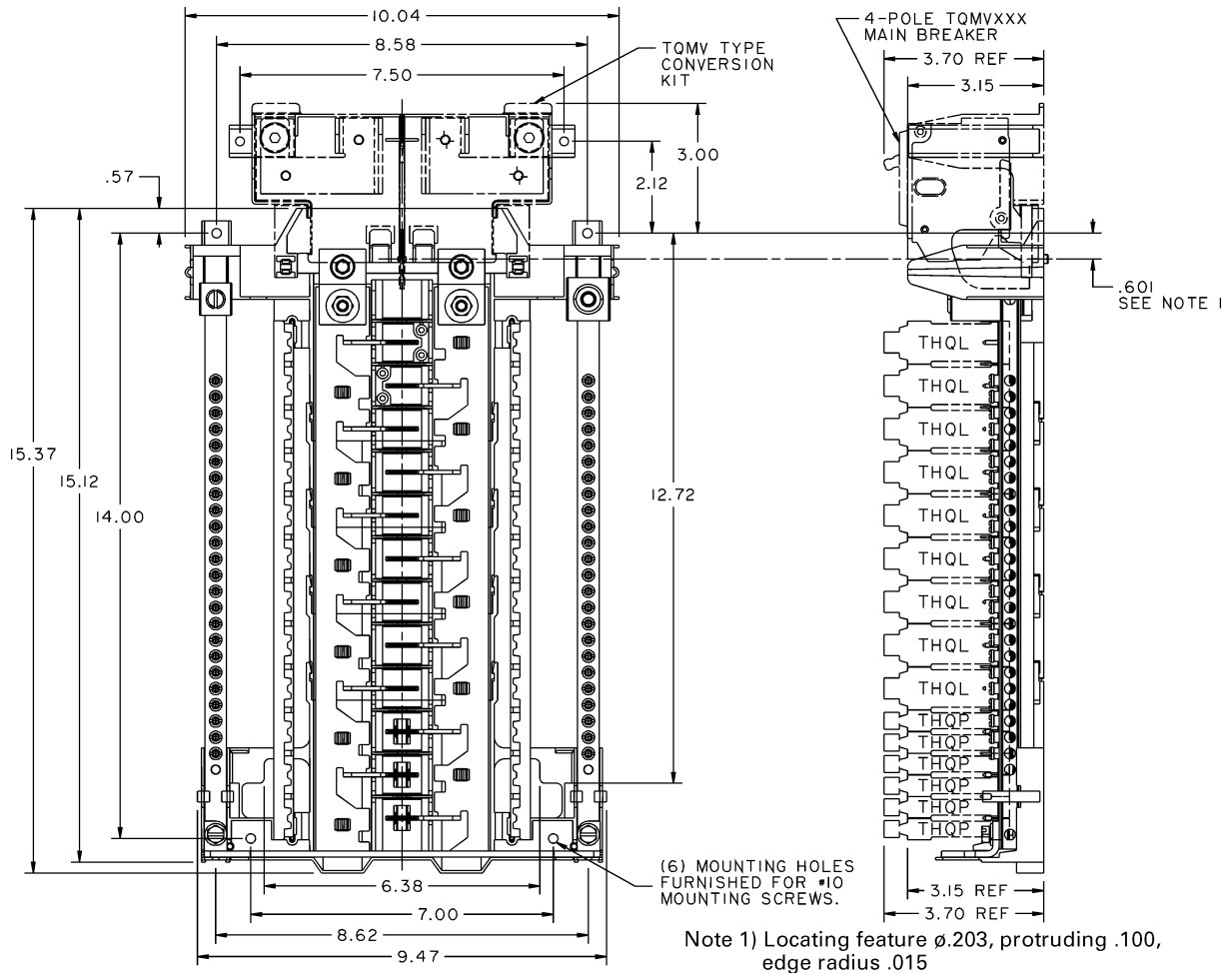
TM24EC	Assembly, Front and Pan	1	1
139C5515P3	Door	1	1
192A6597P1	Hinge	3	1200
THDWRKIT	Front Mounting Screw Kit	20	20

### Box Assembly

LC2015BOX	Box Assembly	1	24
-----------	--------------	---	----

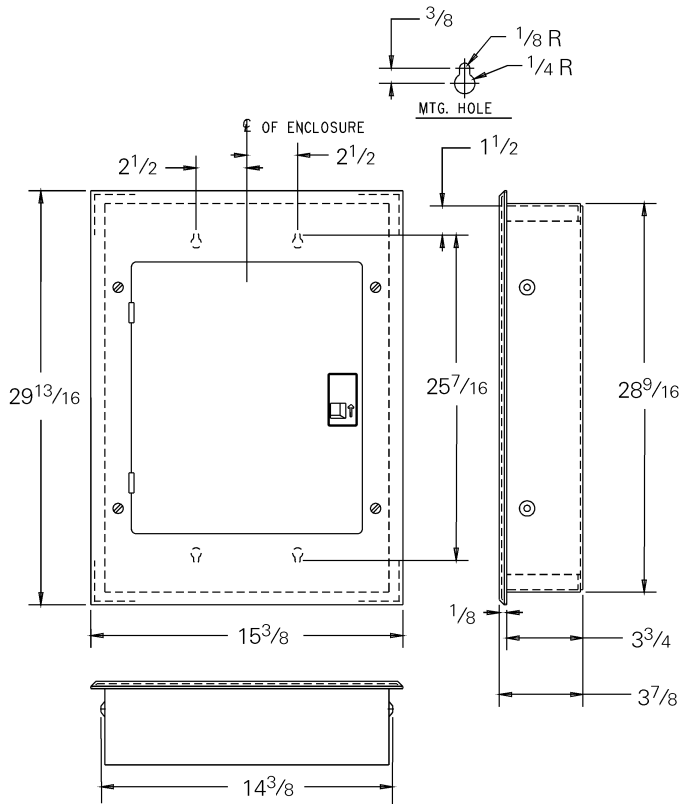
### Accessories

TBS	Bonding Screw Kit	1	1
TGK24, TGK32	Equipment Ground Kit	1	1



OEM interiors are UL-recognized components listed under UL file E21790.

Main Ampere Rating	Maximum Spaces				Total 1-Pole Spaces	Main Breaker Conv Kit
	1" THQL		1/2" THQL			
	1-Pole	2-Pole	1-Pole	2-Pole		
150	24	12	12	4	30	THQMV150



### Equipment Ground Terminations

Solid, AWG	Stranded, AWG
14-4 Cu	14-4 Cu
12-10 Al	12-4 Al

### Neutral Terminations

Solid, AWG	Stranded, AWG
14-10 Cu	14-4 Cu
12-10 Al	12-4 Al

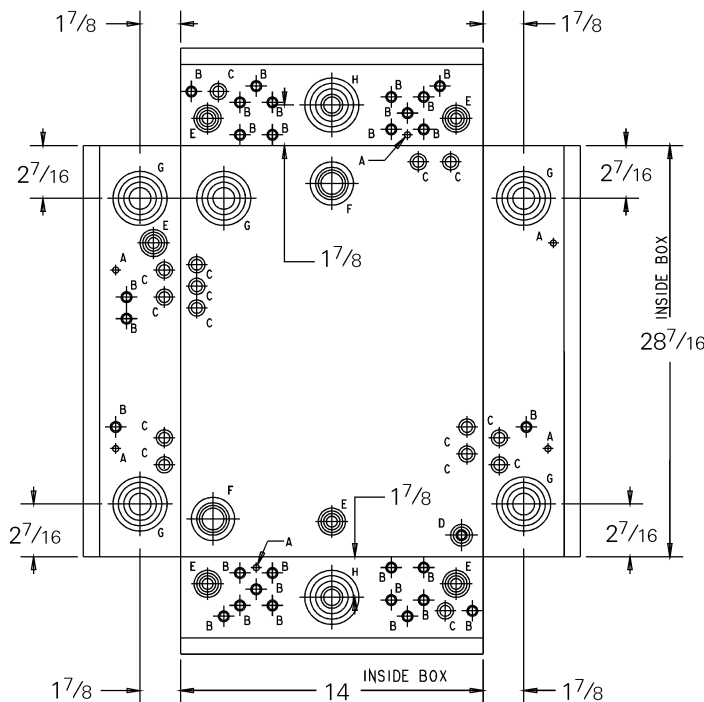
### Wire Sizes

Line	Neutral Lugs
1-2/0 Cu	6-2/0 Cu-Al
2/0-3/0 Al	

UL listed (Panelboards No. 67)

60° C and 75° C conductor rating.

22,000 amperes RMS symmetrical short-circuit rating.



### KNOCKOUT DIAGRAM

NOTE: ALL K.O. LOCATING DIMENSIONS ARE INSIDE OF BOX.

- A = 9/32 K.O.
- B = 3/8 X 1/2 K.O.
- C = 1/2 X 3/4 K.O.
- D = 3/8 X 1/2 X 3/4 X 1 K.O.
- E = 1/2 X 3/4 X 1 X 1 1/4 K.O.
- F = 1 X 1 1/4 X 1 1/2 X 2 K.O.
- G = 1 X 1 1/2 X 2 X 2 1/2 K.O.
- H = 3/4 X 1 X 1 1/4 X 1 1/2 X 2 X 2 1/2 K.O.

### Interior Assembly

Part Number	Description	Min. Qty.	Master Pack Qty.
TLM1620U2	Interior, 16 circuit, 200 A, Cu	1	10
THDWRKIT2	Interior Mounting Screw Kit	10	10

### Front Assembly

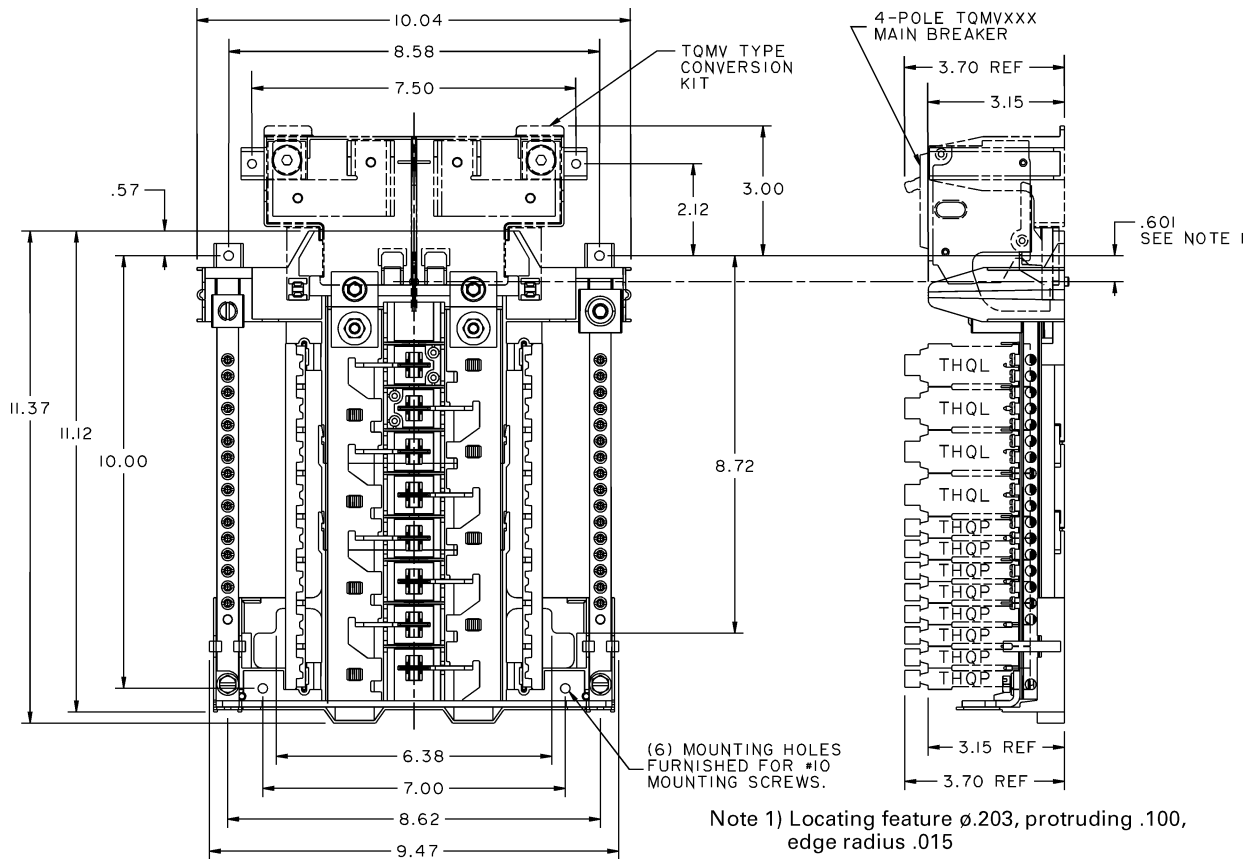
TM16GC	Assembly, Front and Pan	1	1
139C5515P3	Door	1	1
192A6597P1	Hinge	3	1200
THDWRKIT	Front Mounting Screw Kit	20	20

### Box Assembly

LC1620BOX	Box Assembly	1	24
-----------	--------------	---	----

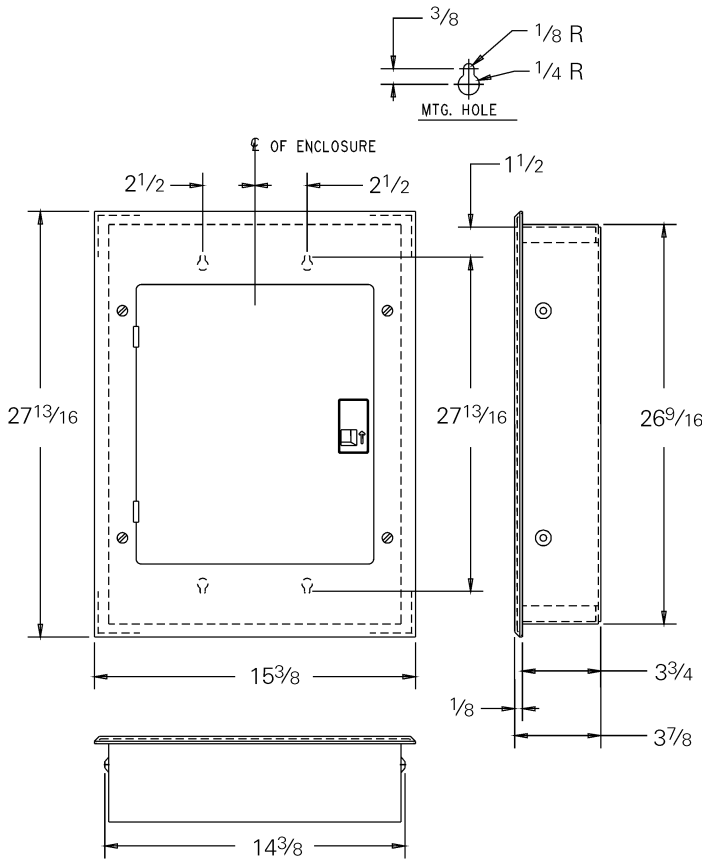
### Accessories

TBS	Bonding Screw Kit	1	1
TGK32	Equipment Ground Kit	1	1



OEM interiors are UL-recognized components listed under UL file E21790.

Main Ampere Rating	Maximum Spaces				Total 1-Pole Spaces	Main Breaker Conv Kit
	1" THQL		1/2" THQL			
	1-Pole	2-Pole	1-Pole	2-Pole		
150	16	8	32	16	32	THQMV200



### Equipment Ground Terminations

Solid, AWG	Stranded, AWG
14-4 Cu	14-4 Cu
12-10 Al	12-4 Al

### Neutral Terminations

Solid, AWG	Stranded, AWG
14-10 Cu	14-4 Cu
12-10 Al	12-4 Al

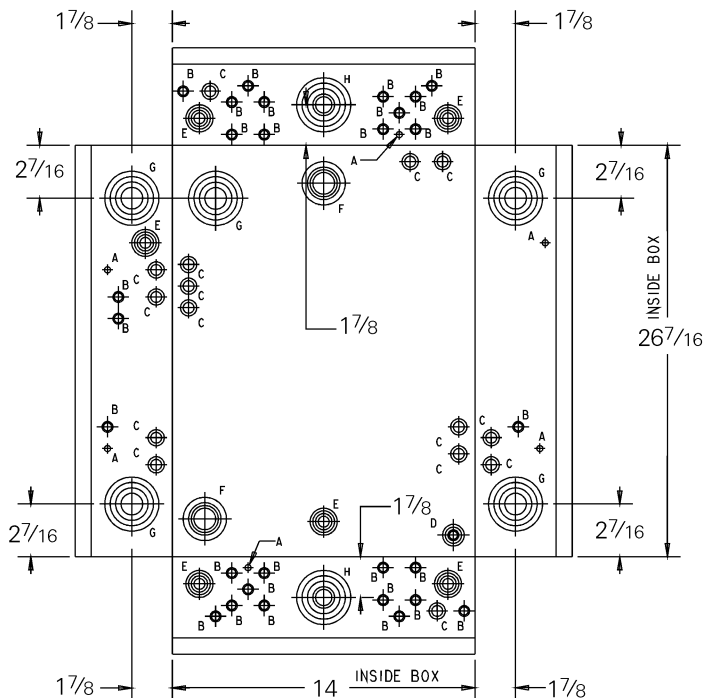
### Wire Sizes

Line	Neutral Lugs
1-250 Cu	6-2/0 Cu-Al
2/0-250 Al	

UL listed (Panelboards No. 67)

60° C and 75° C conductor rating.

22,000 amperes RMS symmetrical short-circuit rating.



### KNOCKOUT DIAGRAM

NOTE: ALL K.O. LOCATING DIMENSIONS ARE INSIDE OF BOX.

- A = 9/32 K.O.
- B = 3/8 X 1/2 K.O.
- C = 1/2 X 3/4 K.O.
- D = 3/8 X 1/2 X 3/4 X 1 K.O.
- E = 1/2 X 3/4 X 1 X 1 1/4 K.O.
- F = 1 X 1 1/4 X 1 1/2 X 2 K.O.
- G = 1 X 1 1/2 X 2 X 2 1/2 K.O.
- H = 3/4 X 1 X 1 1/4 X 1 1/2 X 2 X 2 1/2 K.O.

### Interior Assembly

Part Number	Description	Min. Qty.	Master Pack Qty.
TLM2020U2	Interior, 20 circuit, 200 A, Cu	1	10
THDWRKIT2	Interior Mounting Screw Kit	10	10

### Front Assembly

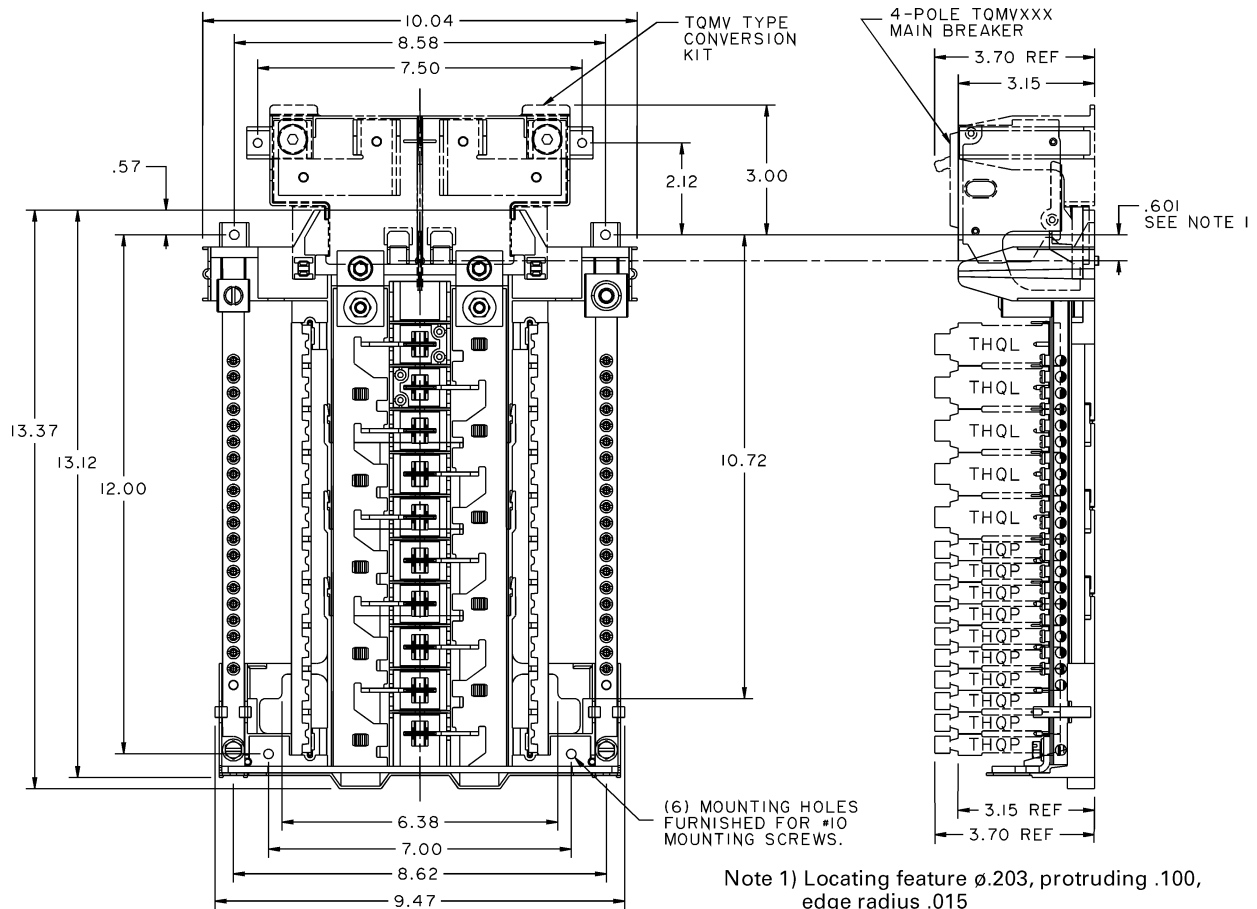
TM20EC	Assembly, Front and Pan	1	1
139C5515P3	Door	1	1
192A6597P1	Hinge	3	1200
THDWRKIT	Front Mounting Screw Kit	20	20

### Box Assembly

LC2015BOX	Box Assembly	1	24
-----------	--------------	---	----

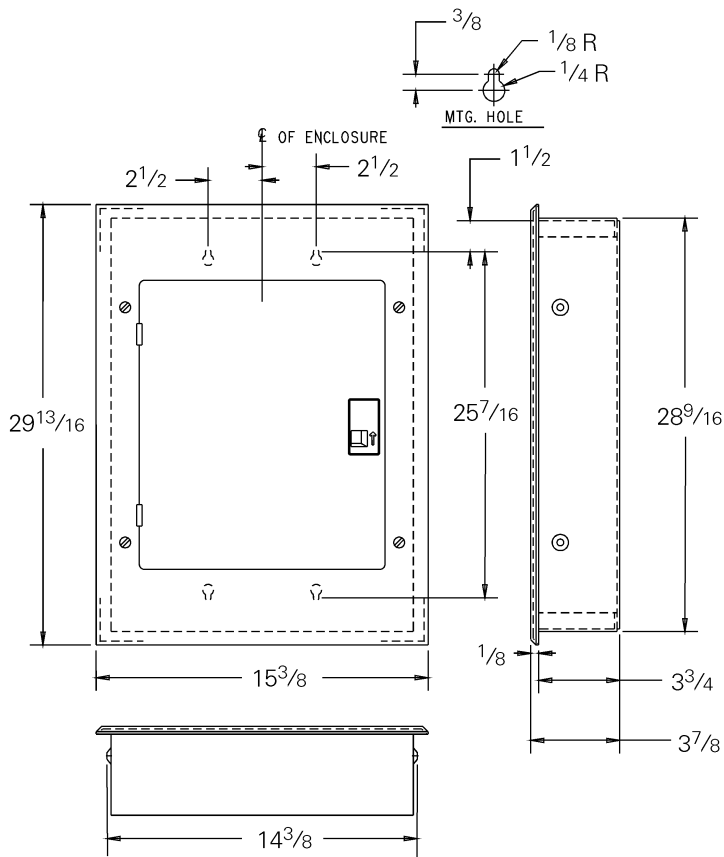
### Accessories

TBS	Bonding Screw Kit	1	1
TGK24, TGK42	Equipment Ground Kit	1	1



OEM interiors are UL-recognized components listed under UL file E21790.

Main Ampere Rating	Maximum Spaces				Total 1-Pole Spaces	Main Breaker Conv Kit
	1" THQL		1/2" THQL			
	1-Pole	2-Pole	1-Pole	2-Pole		
200	20	10	40	18	40	THQMV200



### Equipment Ground Terminations

Solid, AWG	Stranded, AWG
14-4 Cu	14-4 Cu
12-10 Al	12-4 Al

### Neutral Terminations

Solid, AWG	Stranded, AWG
14-10 Cu	14-4 Cu
12-10 Al	12-4 Al

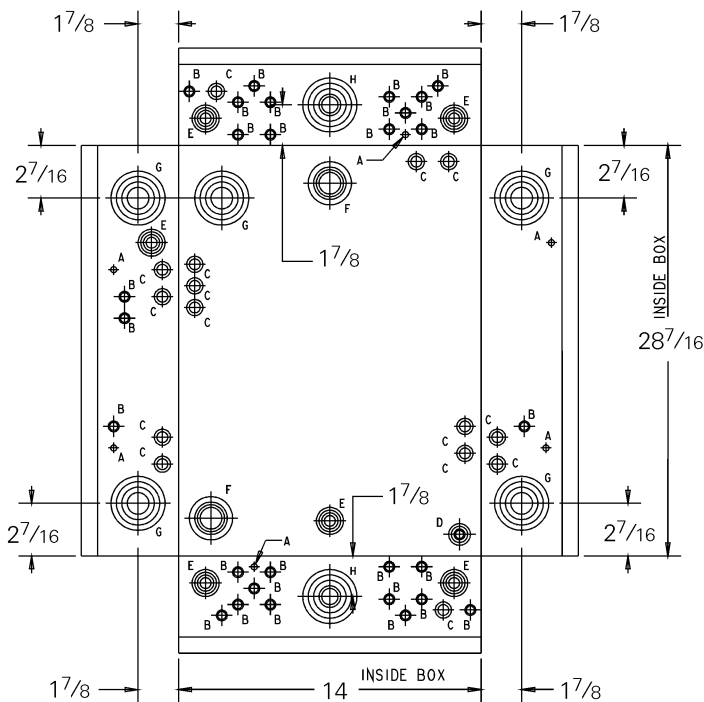
### Wire Sizes

Line	Neutral Lugs
1-250 Cu	6-2/0 Cu-Al
2/0-250 Al	

UL listed (Panelboards No. 67)

60° C and 75° C conductor rating.

22,000 amperes RMS symmetrical short-circuit rating.



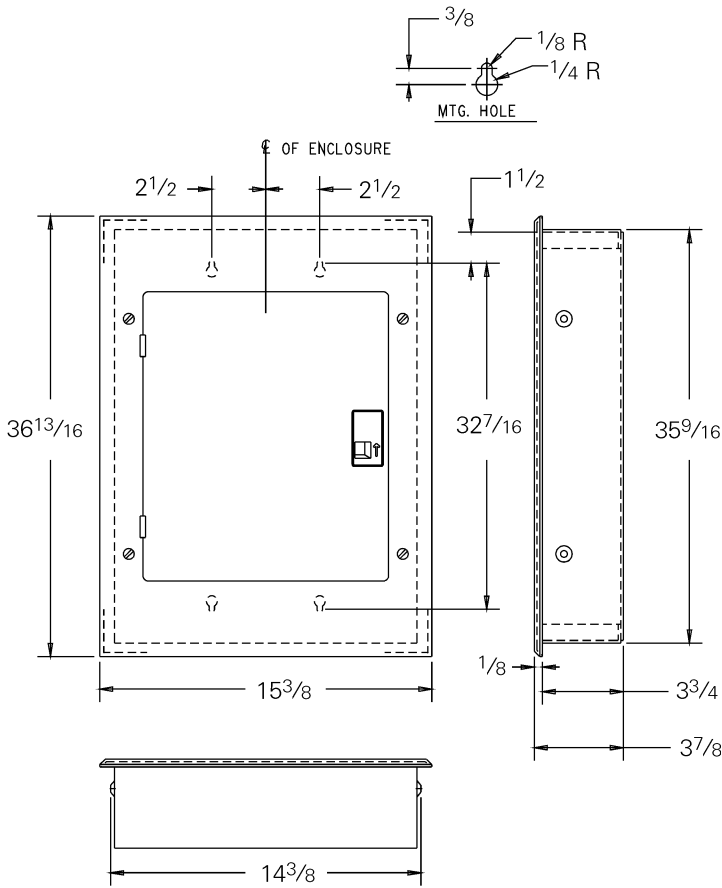
### KNOCKOUT DIAGRAM

NOTE: ALL K.O. LOCATING DIMENSIONS ARE INSIDE OF BOX.

- A = 9/32 K.O.
- B = 3/8 X 1/2 K.O.
- C = 1/2 X 3/4 K.O.
- D = 3/8 X 1/2 X 3/4 X 1 K.O.
- E = 1/2 X 3/4 X 1 X 1 1/4 K.O.
- F = 1 X 1 1/4 X 1 1/2 X 2 K.O.
- G = 1 X 1 1/2 X 2 X 2 1/2 K.O.
- H = 3/4 X 1 X 1 1/4 X 1 1/2 X 2 X 2 1/2 K.O.







**Equipment Ground Terminations**

Solid, AWG	Stranded, AWG
14-4 Cu	14-4 Cu
12-10 Al	12-4 Al

**Neutral Terminations**

Solid, AWG	Stranded, AWG
14-10 Cu	14-4 Cu
12-10 Al	12-4 Al

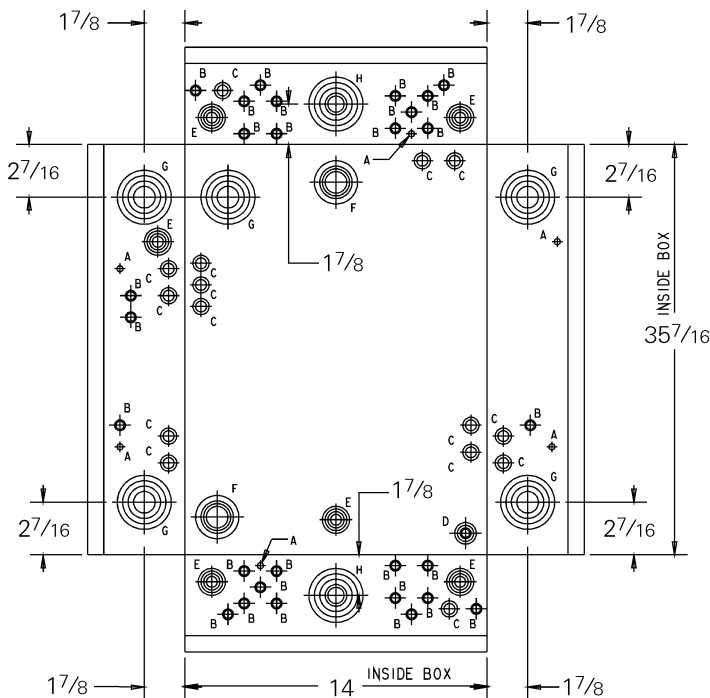
**Wire Sizes**

Line	Neutral Lugs
1-250 Cu 2/0-250 Al	6-2/0 Cu-Al

UL listed (Panelboards No. 67)

60° C and 75° C conductor rating.

22,000 amperes RMS symmetrical short-circuit rating.



**KNOCKOUT DIAGRAM**

NOTE: ALL K.O. LOCATING DIMENSIONS ARE INSIDE OF BOX.

- A = 9/32 K.O.
- B = 3/8 X 1/2 K.O.
- C = 1/2 X 3/4 K.O.
- D = 3/8 X 1/2 X 3/4 X 1 K.O.
- E = 1/2 X 3/4 X 1 X 1 1/4 K.O.
- F = 1 X 1 1/4 X 1 1/2 X 2 K.O.
- G = 1 X 1 1/2 X 2 X 2 1/2 K.O.
- H = 3/4 X 1 X 1 1/4 X 1 1/2 X 2 X 2 1/2 K.O.

### Interior Assembly

Part Number	Description	Min. Qty.	Master Pack Qty.
TLM4020U2	Interior, 40 circuit, 200 A, Cu	1	6
THDWRKIT2	Interior Mounting Screw Kit	10	10

### Front Assembly

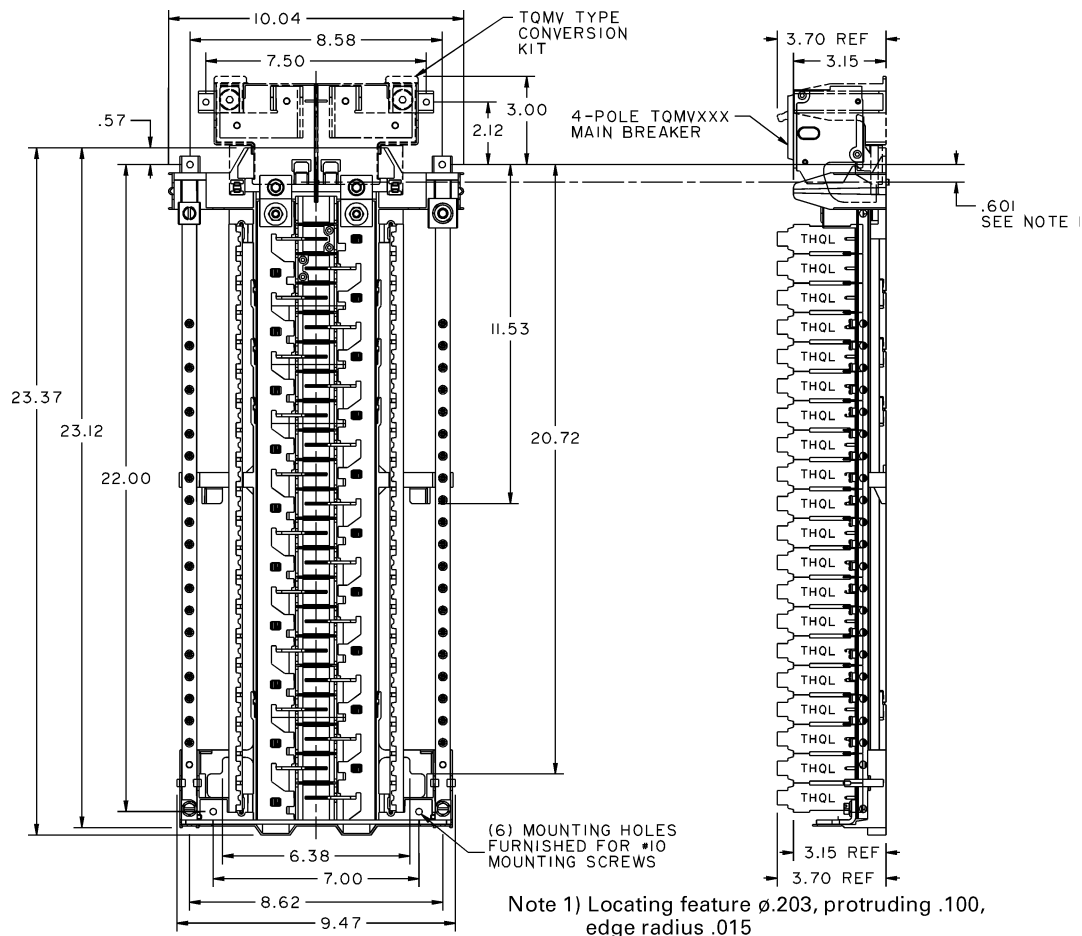
TM40BC	Assembly, Front and Pan	1	1
139C5515P5	Door	1	1
192A6597P1	Hinge	3	1200
THDWRKIT	Front Mounting Screw Kit	20	20

### Box Assembly

LC4020BOX	Box Assembly	1	24
-----------	--------------	---	----

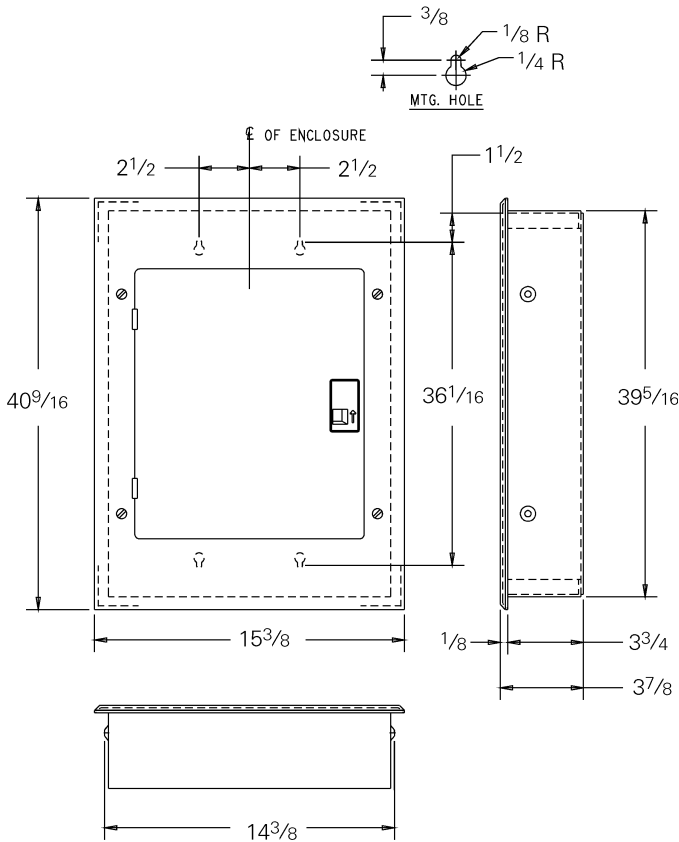
### Accessories

TBS	Bonding Screw Kit	1	1
TGK42	Equipment Ground Kit	1	1



OEM interiors are UL-recognized components listed under UL file E21790.

Main Ampere Rating	Maximum Spaces				Total 1-Pole Spaces	Main Breaker Conv Kit
	1" THQL		1/2" THQL			
	1-Pole	2-Pole	1-Pole	2-Pole		
200	40	20	—	—	40	THQMV200



### Equipment Ground Terminations

Solid, AWG	Stranded, AWG
14-4 Cu	14-4 Cu
12-10 Al	12-4 Al

### Neutral Terminations

Solid, AWG	Stranded, AWG
14-10 Cu	14-4 Cu
12-10 Al	12-4 Al

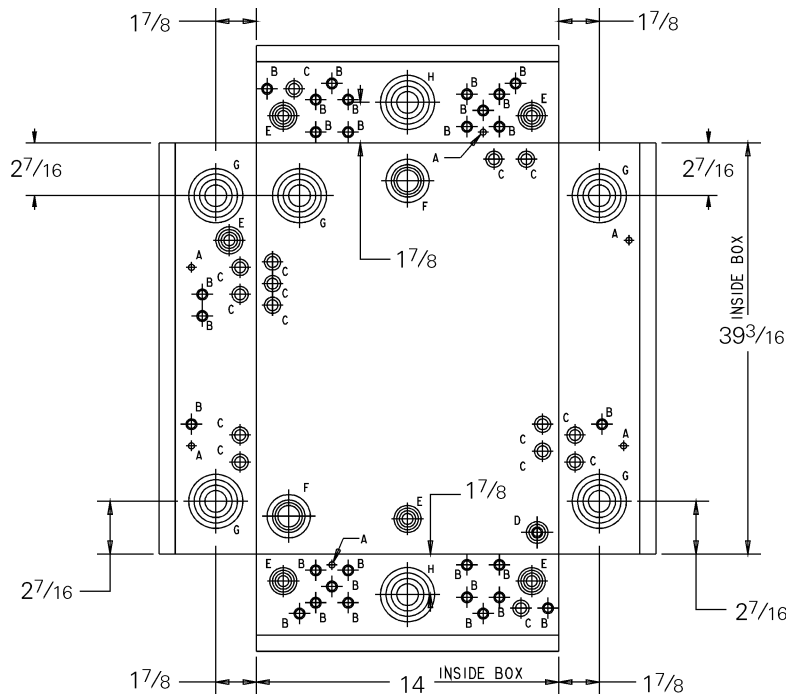
### Wire Sizes

Line	Neutral Lugs
1-250 Cu	6-2/0 Cu-Al
2/0-250 Al	

UL listed (Panelboards No. 67)

60° C and 75° C conductor rating.

22,000 amperes RMS symmetrical short-circuit rating.



### KNOCKOUT DIAGRAM

NOTE: ALL K.O. LOCATING DIMENSIONS ARE INSIDE OF BOX.

- A = 9/32 K.O.
- B = 3/8 X 1/2 K.O.
- C = 1/2 X 3/4 K.O.
- D = 3/8 X 1/2 X 3/4 X 1 K.O.
- E = 1/2 X 3/4 X 1 X 1 1/4 K.O.
- F = 1 X 1 1/4 X 1 1/2 X 2 K.O.
- G = 1 X 1 1/2 X 2 X 2 1/2 K.O.
- H = 3/4 X 1 X 1 1/4 X 1 1/2 X 2 X 2 1/2 K.O.

### Interior Assembly

Part Number	Description	Min. Qty.	Master Pack Qty.
TLM4222U2	Interior, 42 circuit, 225 A, Cu	1	6
THDWRKIT2	Interior Mounting Screw Kit	10	10

### Front Assembly

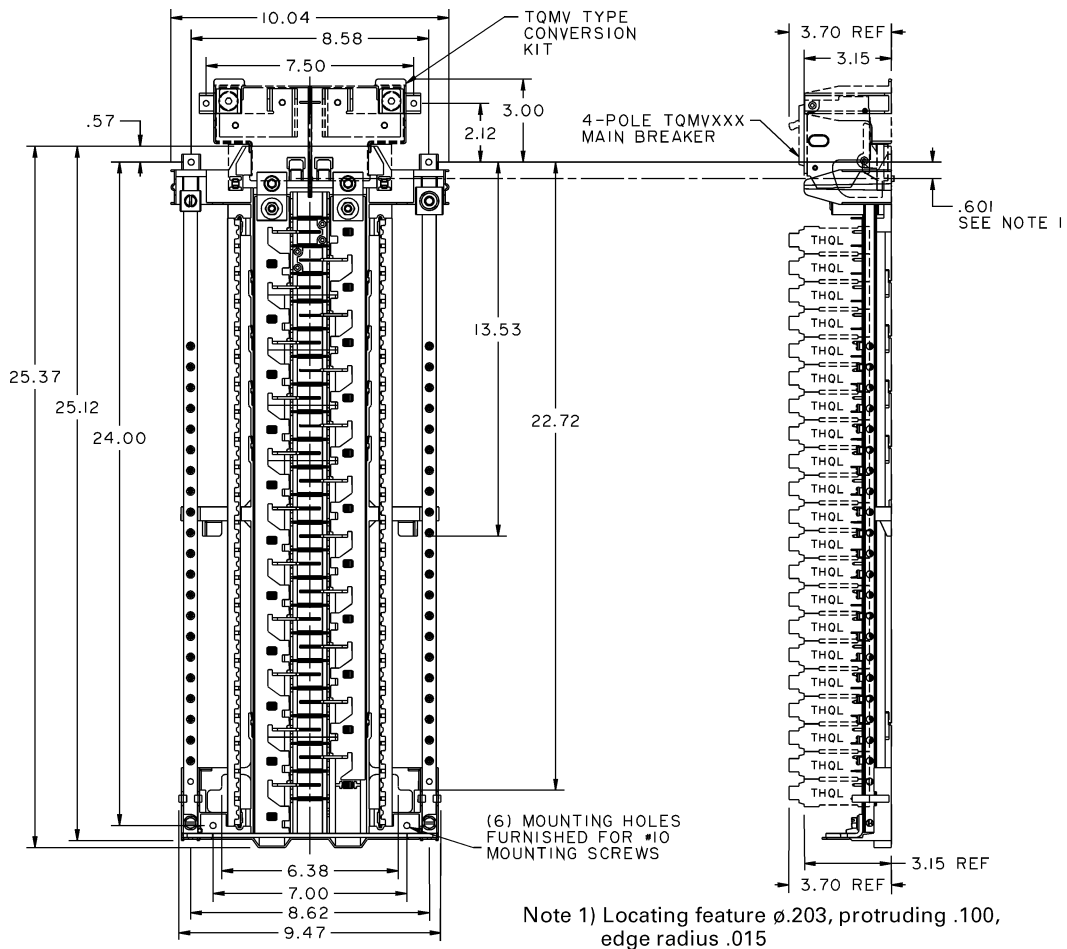
TM42BC	Assembly, Front and Pan	1	1
139C5515P5	Door	1	1
192A6597P1	Hinge	3	1200
THDWRKIT	Front Mounting Screw Kit	20	20

### Box Assembly

LC4222BOX	Box Assembly	1	16
-----------	--------------	---	----

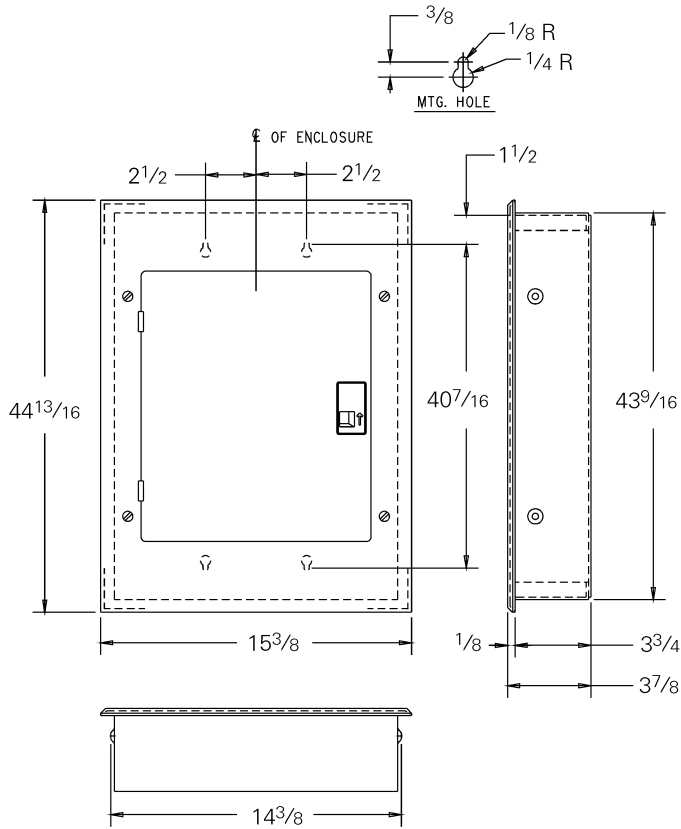
### Accessories

TBS	Bonding Screw Kit	1	1
TGK42	Equipment Ground Kit	1	1



OEM interiors are UL-recognized components listed under UL file E21790.

Main Ampere Rating	Maximum Spaces				Total 1-Pole Spaces	Main Breaker Conv Kit
	1" THQL		1/2" THQL			
	1-Pole	2-Pole	1-Pole	2-Pole		
225	42	20	—	—	42	THQMV225



### Equipment Ground Terminations

Solid, AWG	Stranded, AWG
14-4 Cu	14-4 Cu
12-10 Al	12-4 Al

### Neutral Terminations

Solid, AWG	Stranded, AWG
14-10 Cu	14-4 Cu
12-10 Al	12-4 Al

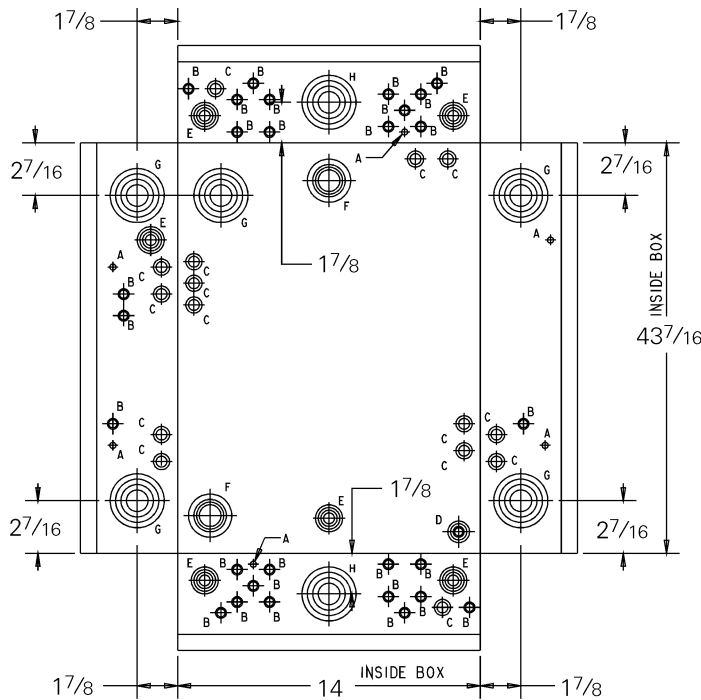
### Wire Sizes

Line	Neutral Lugs
1-250 Cu	6-2/0 Cu-Al
2/0-250 Al	

UL listed (Panelboards No. 67)

60° C and 75° C conductor rating.

22,000 amperes RMS symmetrical short-circuit rating.



### KNOCKOUT DIAGRAM

NOTE: ALL K.O. LOCATING DIMENSIONS ARE INSIDE OF BOX.

- A = 9/32 K.O.
- B = 3/8 X 1/2 K.O.
- C = 1/2 X 3/4 K.O.
- D = 3/8 X 1/2 X 3/4 X 1 K.O.
- E = 1/2 X 3/4 X 1 X 1/4 K.O.
- F = 1 X 1/4 X 1 1/2 X 2 K.O.
- G = 1 X 1/2 X 2 X 2 1/2 K.O.
- H = 3/4 X 1 X 1/4 X 1 1/2 X 2 1/2 K.O.

### Interior Assembly

Part Number	Description	Min. Qty.	Master Pack Qty.
TL12412U	Interior, 12 circuit, 3-phase, 125 A, MLO	1	10
THDWRKIT2	Interior Mounting Screw Kit	10	10

### Front Assembly

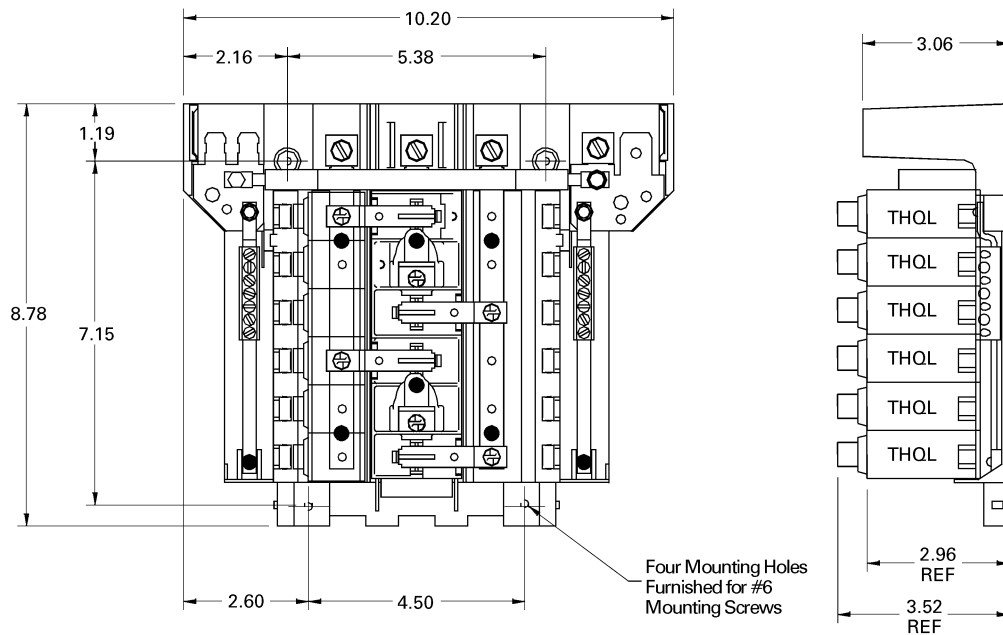
TL12AC3	Assembly, Front and Pan	1	1
139C5515P2	Door	1	1
192A6597P1	Hinge	3	1200
THDWRKIT	Front Mounting Screw Kit	20	20

### Box Assembly

LC1212BOX	Box Assembly	1	40
-----------	--------------	---	----

### Accessories

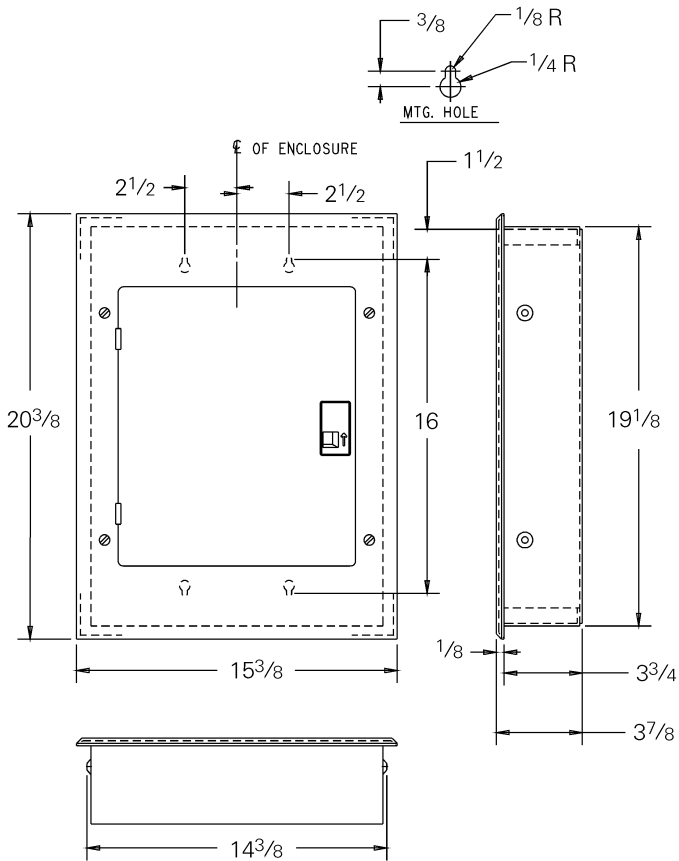
TBS	Bonding Screw Kit	1	1
TGK12, TGK24	Equipment Ground Kit	1	1



OEM interiors are UL-recognized components listed under UL file E21790.

Main Ampere Rating	Maximum Spaces			Total 1-Pole Spaces
	1" THQL			
	1-Pole	2-Pole	3-Pole	
125	12	6	4	12

Alternate backfed main breaker rating: 100 A max. THQL style  
Main breaker retainer required: THQLRK



### Equipment Ground Terminations

Solid, AWG	Stranded, AWG
14-4 Cu	14-4 Cu
12-10 Al	12-4 Al

### Neutral Terminations

Solid, AWG	Stranded, AWG
14-8 Cu	12-4 Cu
12-8 Al	12-4 Al

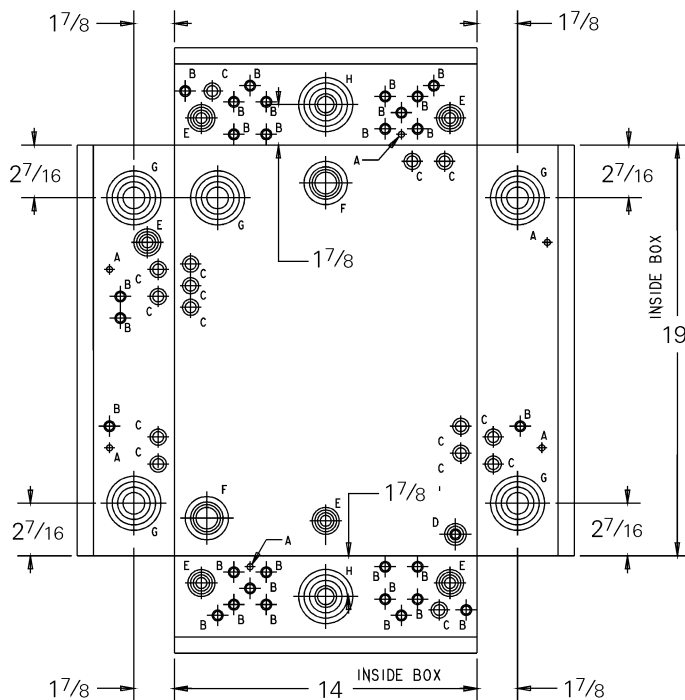
### Wire Sizes

Line	Neutral Lugs
6-2/0 Cu-Al	6-2/0 Cu-Al

UL listed (Panelboards No. 67)

60° C and 75° C conductor rating.

22,000 amperes RMS symmetrical short-circuit rating.



### KNOCKOUT DIAGRAM

NOTE: ALL K.O. LOCATING DIMENSIONS ARE INSIDE OF BOX.

- A = 9/32 K.O.
- B = 3/8 X 1/2 K.O.
- C = 1/2 X 3/4 K.O.
- D = 3/8 X 1/2 X 3/4 X 1 K.O.
- E = 1/2 X 3/4 X 1 X 1 1/4 K.O.
- F = 1 X 1 1/4 X 1 1/2 X 2 K.O.
- G = 1 X 1 1/2 X 2 X 2 1/2 K.O.
- H = 3/4 X 1 X 1 1/4 X 1 1/2 X 2 X 2 1/2 K.O.

### Interior Assembly

Part Number	Description	Min. Qty.	Master Pack Qty.
TL18415U	Interior, 18 circuit, 3-phase, 150 A	1	10
THDWRKIT2	Interior Mounting Screw Kit	10	10

### Front Assembly

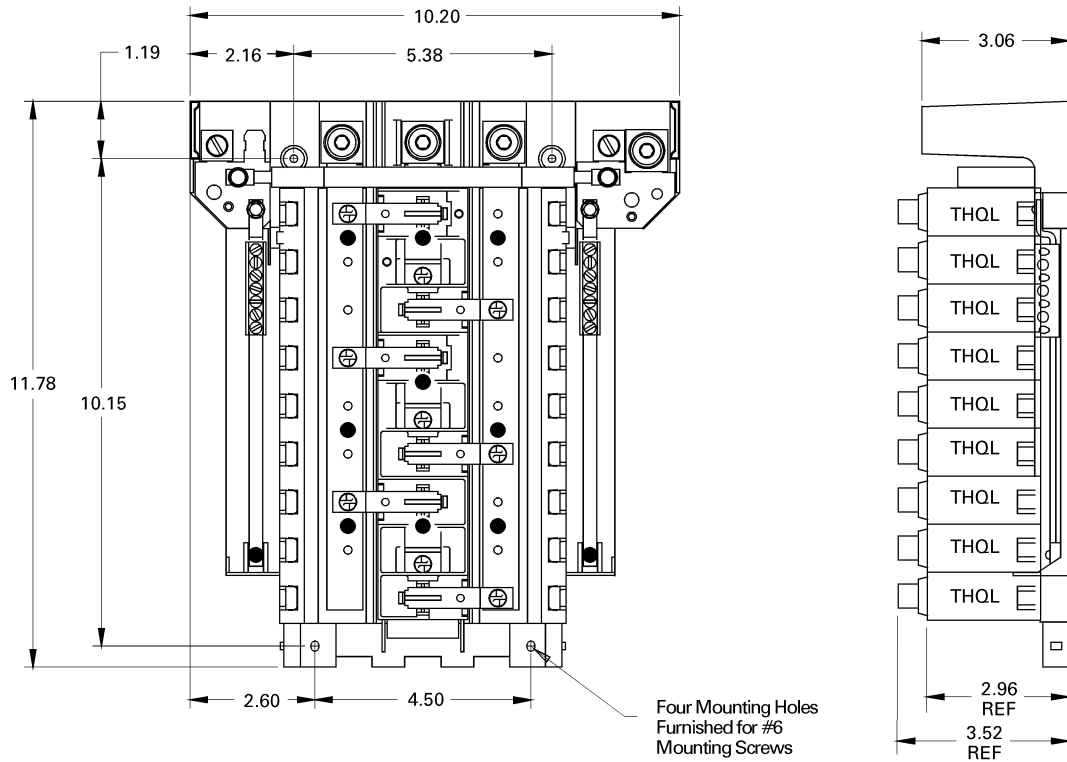
TL18BC3	Assembly, Front and Pan	1	1
139C5515P3	Door	1	1
192A6597P1	Hinge	3	1200
THDWRKIT	Front Mounting Screw Kit	20	20

### Box Assembly

LC24415BOX	Box Assembly	1	24
------------	--------------	---	----

### Accessories

TBS	Bonding Screw Kit	1	1
TGK24, TGK32	Equipment Ground Kit	1	1



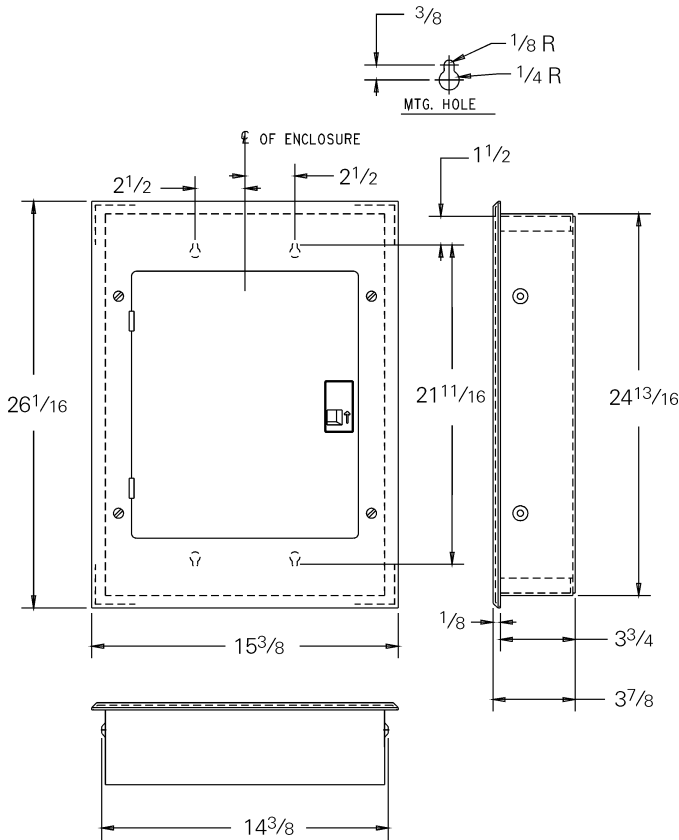
OEM interiors are UL-recognized components listed under UL file E21790.

Main Ampere Rating	Maximum Spaces			Total 1-Pole Spaces
	1-Pole	2-Pole	3-Pole	
150	18	8	6	18

Alternate backfed main breaker rating: 100 A max.

Main breaker retainer required: THQLRK





### Equipment Ground Terminations

Solid, AWG	Stranded, AWG
14-4 Cu	14-4 Cu
12-10 Al	12-4 Al

### Neutral Terminations

Solid, AWG	Stranded, AWG
14-8 Cu	12-4 Cu
12-8 Al	12-4 Al

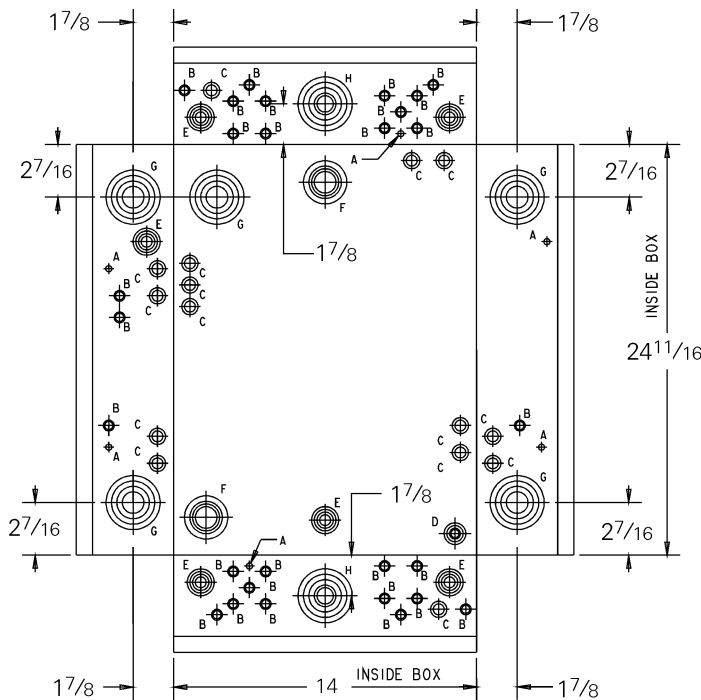
### Wire Sizes

Line	Neutral Lugs
1-3/0 Cu	6-2/0 Cu-Al
2/0-3/0 Al	

UL listed (Panelboards No. 67)

60° C and 75° C conductor rating.

22,000 amperes RMS symmetrical short-circuit rating.



### KNOCKOUT DIAGRAM

NOTE: ALL K.O. LOCATING DIMENSIONS ARE INSIDE OF BOX.

- A = 9/32 K.O.
- B = 3/8 X 1/2 K.O.
- C = 1/2 X 3/4 K.O.
- D = 3/8 X 1/2 X 3/4 X 1 K.O.
- E = 1/2 X 3/4 X 1 X 1 1/4 K.O.
- F = 1 X 1 1/4 X 1 1/2 X 2 K.O.
- G = 1 X 1 1/2 X 2 X 2 1/2 K.O.
- H = 3/4 X 1 X 1 1/4 X 1 1/2 X 2 X 2 1/2 K.O.

### Interior Assembly

Part Number	Description	Min. Qty.	Master Pack Qty.
TL24415U	Interior, 24 circuit, 3-phase, 150 A	1	10
THDWRKIT2	Interior Mounting Screw Kit	10	10

### Front Assembly

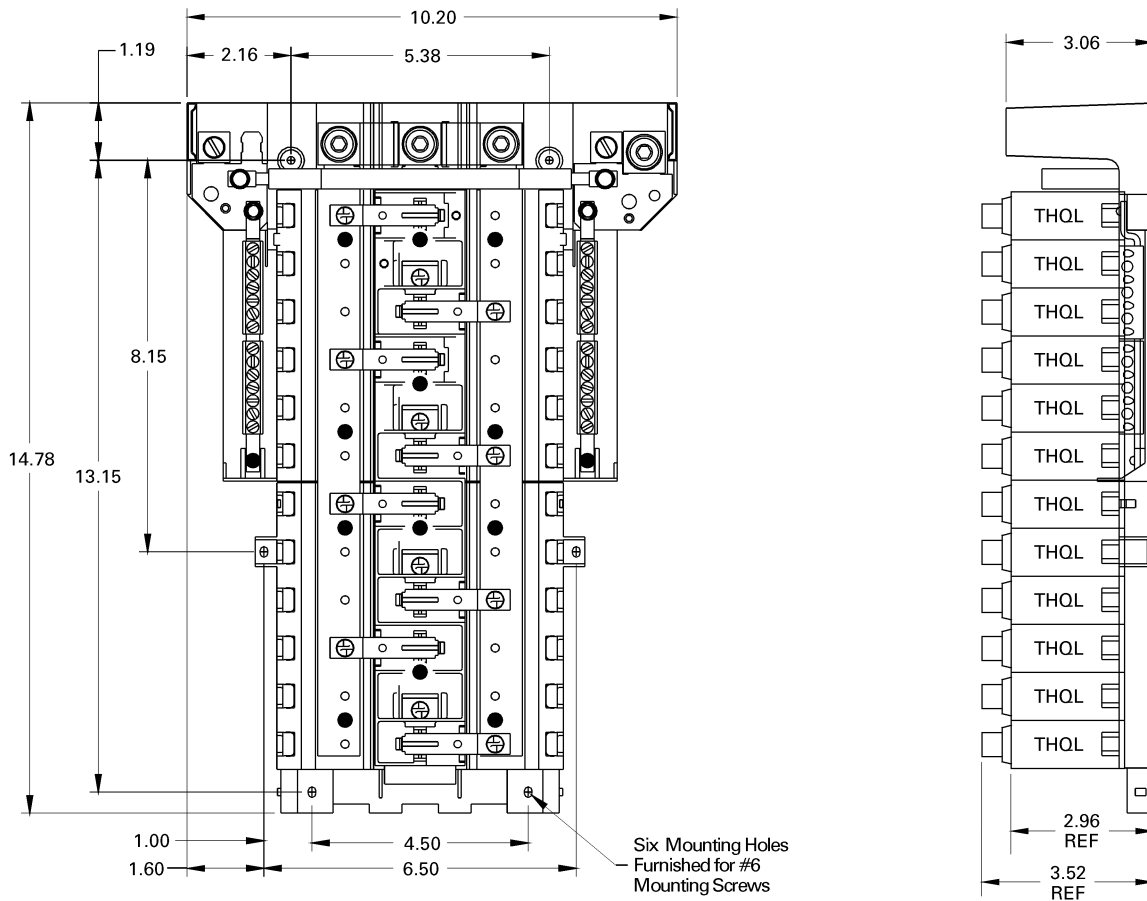
TL24AC3	Assembly, Front and Pan	1	1
139C5515P3	Door	1	1
192A6597P1	Hinge	3	1200
THDWRKIT	Front Mounting Screw Kit	20	20

### Box Assembly

LC24415BOX	Box Assembly	1	24
------------	--------------	---	----

### Accessories

TBS	Bonding Screw Kit	1	1
TGK24, TGK32	Equipment Ground Kit	1	1

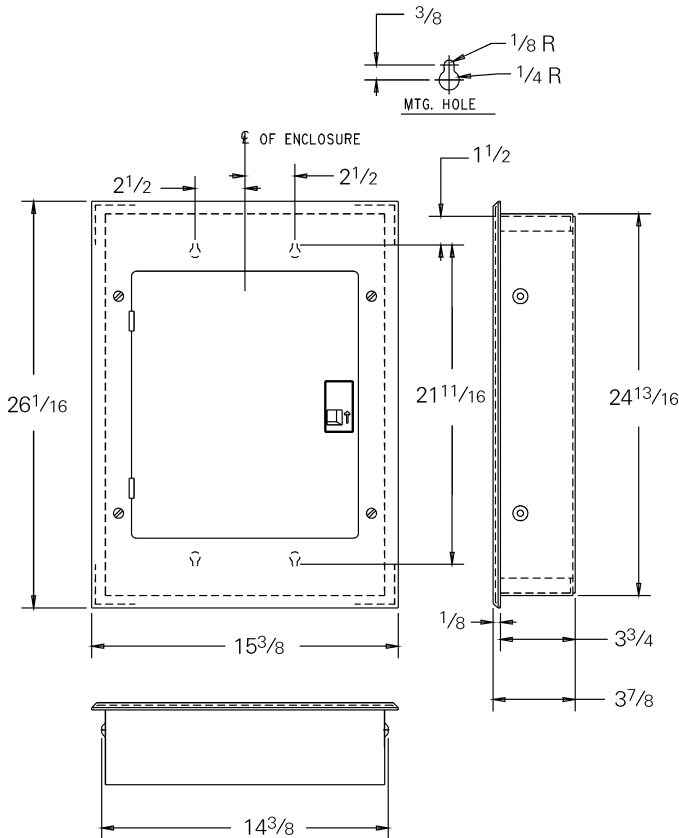


OEM interiors are UL-recognized components listed under UL file E21790.

Main Ampere Rating	Maximum Spaces			Total 1-Pole Spaces
	1-Pole	2-Pole	3-Pole	
150	24	12	8	24

Alternate backfed main breaker rating: 100 A max.

Main breaker retainer required: THQLRK



### Equipment Ground Terminations

Solid, AWG	Stranded, AWG
14-4 Cu	14-4 Cu
12-10 Al	12-4 Al

### Neutral Terminations

Solid, AWG	Stranded, AWG
14-8 Cu	12-4 Cu
12-8 Al	12-4 Al

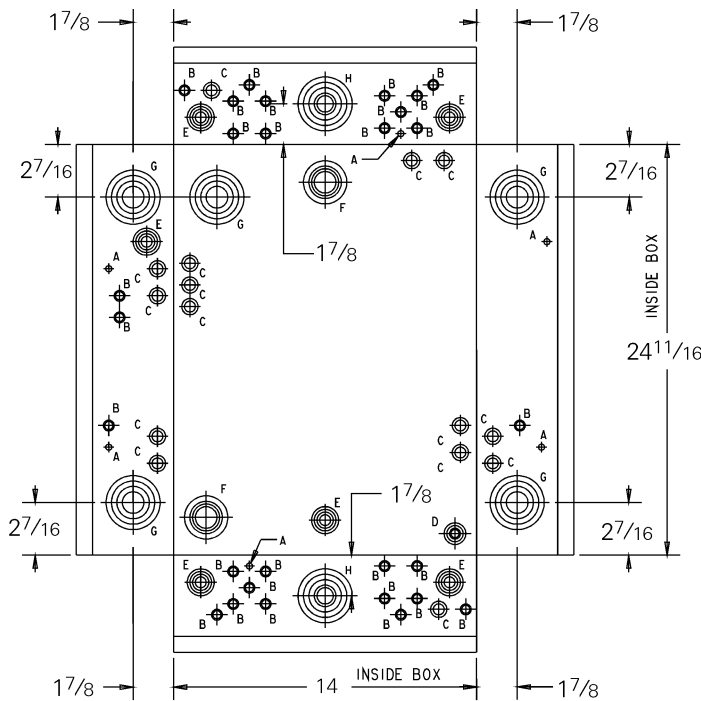
### Wire Sizes

Line	Neutral Lugs
1-3/0 Cu	6-2/0 Cu-Al
2/0-3/0 Al	

UL listed (Panelboards No. 67)

60° C and 75° C conductor rating.

22,000 amperes RMS symmetrical short-circuit rating.



### KNOCKOUT DIAGRAM

NOTE: ALL K.O. LOCATING DIMENSIONS ARE INSIDE OF BOX.

- A = 9/32 K.O.
- B = 3/8 X 1/2 K.O.
- C = 1/2 X 3/4 K.O.
- D = 3/8 X 1/2 X 3/4 X 1 K.O.
- E = 1/2 X 3/4 X 1 X 1/4 K.O.
- F = 1 X 1/4 X 1 1/2 X 2 K.O.
- G = 1 X 1/2 X 2 X 2 1/2 K.O.
- H = 3/4 X 1 X 1/4 X 1 1/2 X 2 X 2 1/2 K.O.

### Interior Assembly

Part Number	Description	Min. Qty.	Master Pack Qty.
TL18420U	Interior, 18 circuit, 3-phase, 200 A	1	10
THDWRKIT2	Interior Mounting Screw Kit	10	10

### Front Assembly

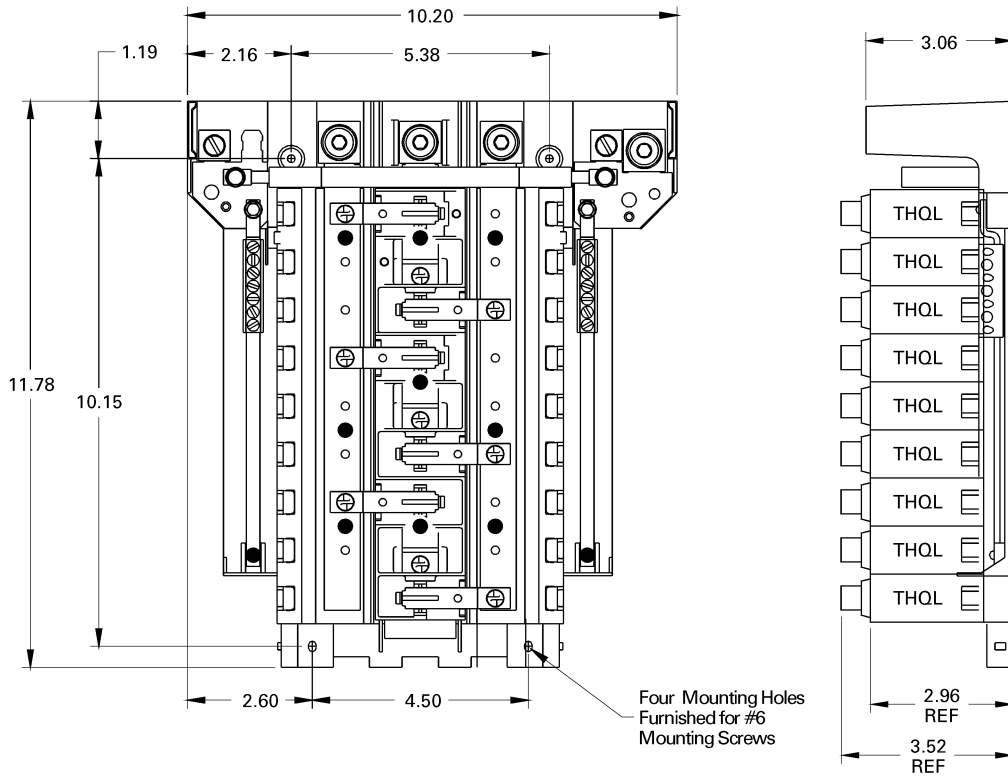
TL18DC3	Assembly, Front and Pan	1	1
139C5515P3	Door	1	1
192A6597P1	Hinge	3	1200
THDWRKIT	Front Mounting Screw Kit	20	20

### Box Assembly

LC1620BOX	Box Assembly	1	24
-----------	--------------	---	----

### Accessories

TBS	Bonding Screw Kit	1	1
TGK32	Equipment Ground Kit	1	1

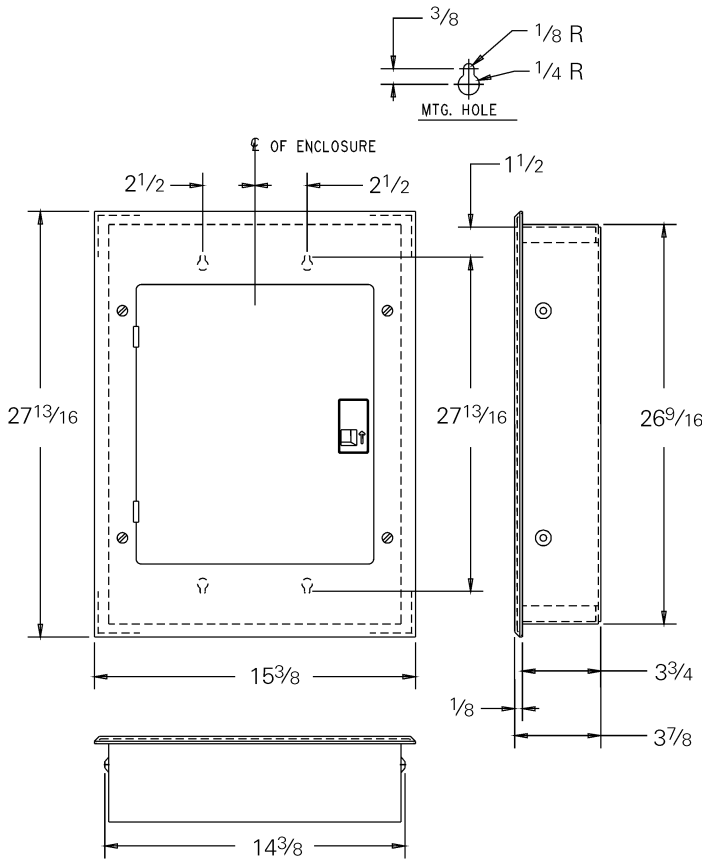


OEM interiors are UL-recognized components listed under UL file E21790.

Main Ampere Rating	Maximum Spaces			Total 1-Pole Spaces
	1" THQL			
	1-Pole	2-Pole	3-Pole	
200	18	8	6	18

Alternate backfed main breaker rating: 100 A max.

Main breaker retainer required: THQLRK



### Equipment Ground Terminations

Solid, AWG	Stranded, AWG
14-4 Cu	14-4 Cu
12-10 Al	12-4 Al

### Neutral Terminations

Solid, AWG	Stranded, AWG
14-10 Cu	14-4 Cu
12-10 Al	12-4 Al

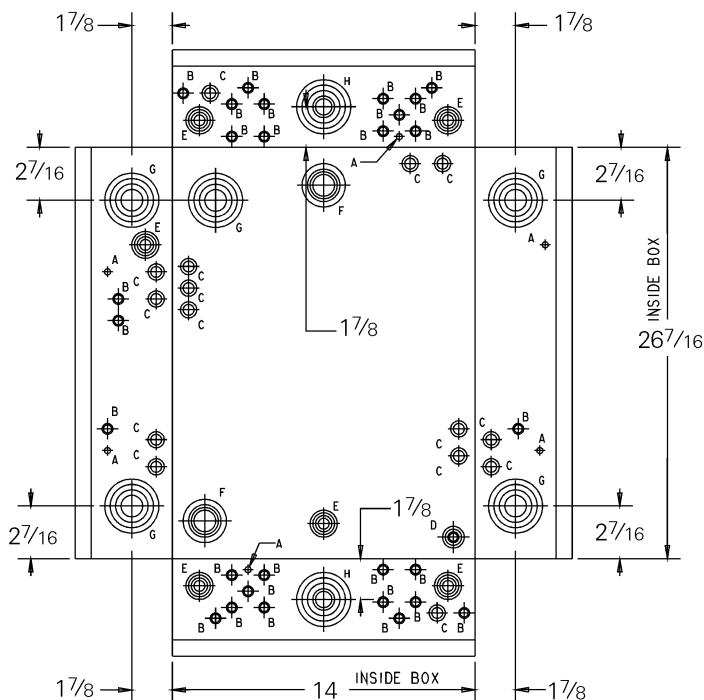
### Wire Sizes

Line	Neutral Lugs
1-250 Cu 2/0-250 Al	6-2/0 Cu-Al

UL listed (Panelboards No. 67)

60° C and 75° C conductor rating.

22,000 amperes RMS symmetrical short-circuit rating.



### KNOCKOUT DIAGRAM

NOTE: ALL K.O. LOCATING DIMENSIONS ARE INSIDE OF BOX.

- A = 9/32 K.O.
- B = 3/8 X 1/2 K.O.
- C = 1/2 X 3/4 K.O.
- D = 3/8 X 1/2 X 3/4 X 1 K.O.
- E = 1/2 X 3/4 X 1 X 1 1/4 K.O.
- F = 1 X 1 1/4 X 1 1/2 X 2 K.O.
- G = 1 X 1 1/2 X 2 X 2 1/2 K.O.
- H = 3/4 X 1 X 1 1/4 X 1 1/2 X 2 X 2 1/2 K.O.

**Interior Assembly**

Part Number	Description	Min. Qty.	Master Pack Qty.
TL30420U	Interior, 30 circuit, 3-phase, 200 A	1	10
THDWRKIT2	Interior Mounting Screw Kit	10	10

**Front Assembly**

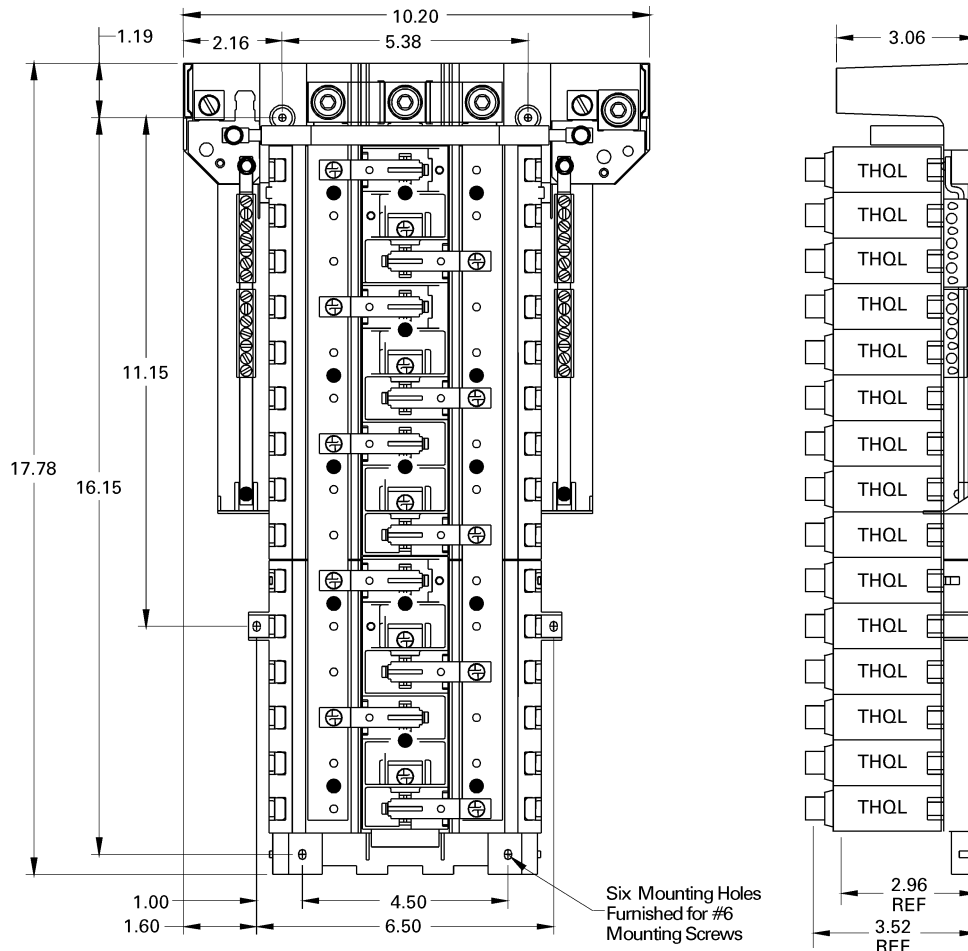
TL30BC3	Assembly, Front and Pan	1	1
139C5515P5	Door	1	1
192A6597P1	Hinge	3	1200
THDWRKIT	Front Mounting Screw Kit	20	20

**Box Assembly**

LC30420BOX	Box Assembly	1	24
------------	--------------	---	----

**Accessories**

TBS	Bonding Screw Kit	1	1
TGK32	Equipment Ground Kit	1	1

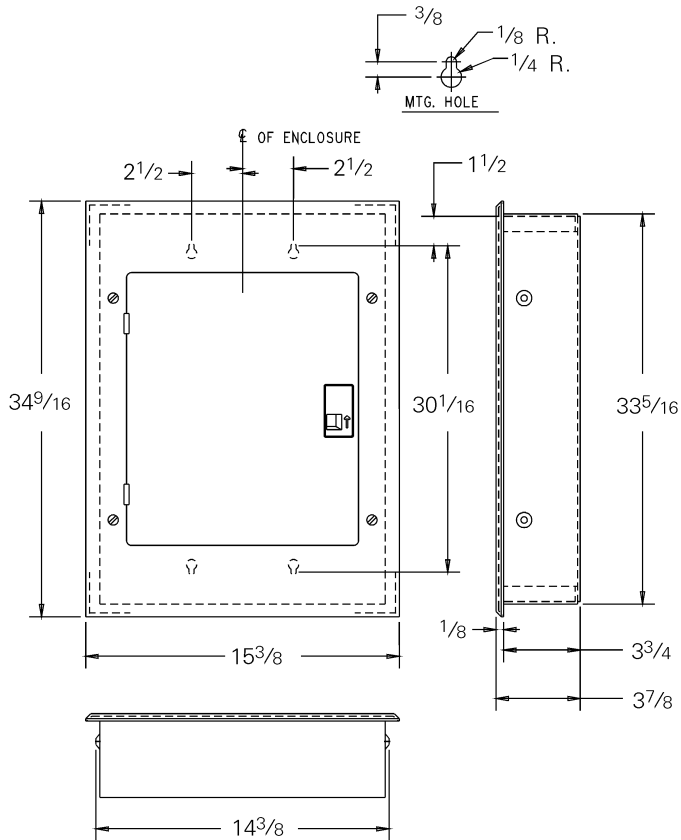


OEM interiors are UL-recognized components listed under UL file E21790.

Main Ampere Rating	Maximum Spaces			Total 1-Pole Spaces
	1" THQL			
	1-Pole	2-Pole	3-Pole	
200	30	14	10	30

Alternate backfed main breaker rating: 100 A max.

Main breaker retainer required: THQLRK



### Equipment Ground Terminations

Solid, AWG	Stranded, AWG
14-4 Cu	14-4 Cu
12-10 Al	12-4 Al

### Neutral Terminations

Solid, AWG	Stranded, AWG
14-8 Cu	12-4 Cu
12-8 Al	12-4 Al

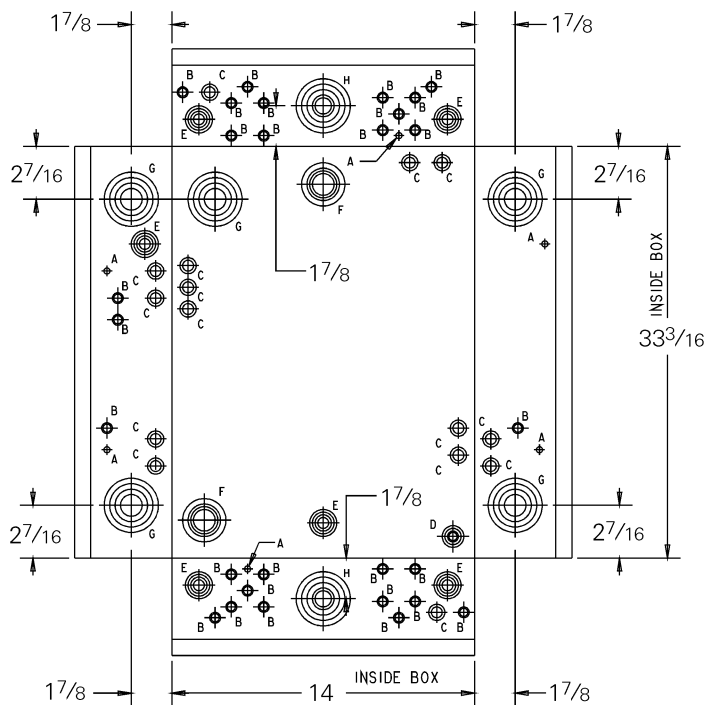
### Wire Sizes

Line	Neutral Lugs
1-250 Cu, 2/0-250 Al	6-2/0 Cu-Al

UL listed (Panelboards No. 67)

60° C and 75° C conductor rating.

22,000 amperes RMS symmetrical short-circuit rating.



### KNOCKOUT DIAGRAM

NOTE: ALL K.O. LOCATING DIMENSIONS ARE INSIDE OF BOX.

- A = 9/32 K.O.
- B = 3/8 X 1/2 K.O.
- C = 1/2 X 3/4 K.O.
- D = 3/8 X 1/2 X 3/4 X 1 K.O.
- E = 1/2 X 3/4 X 1 X 1 1/4 K.O.
- F = 1 X 1 1/4 X 1 1/2 X 2 K.O.
- G = 1 X 1 1/2 X 2 X 2 1/2 K.O.
- H = 3/4 X 1 X 1 1/4 X 1 1/2 X 2 X 2 1/2 K.O.

### Interior Assembly

Part Number	Description	Min. Qty.	Master Pack Qty.
TL42420U	Interior, 42 circuit, 3-phase, 200 A	1	10
THDWRKIT2	Interior Mounting Screw Kit	10	10

### Front Assembly

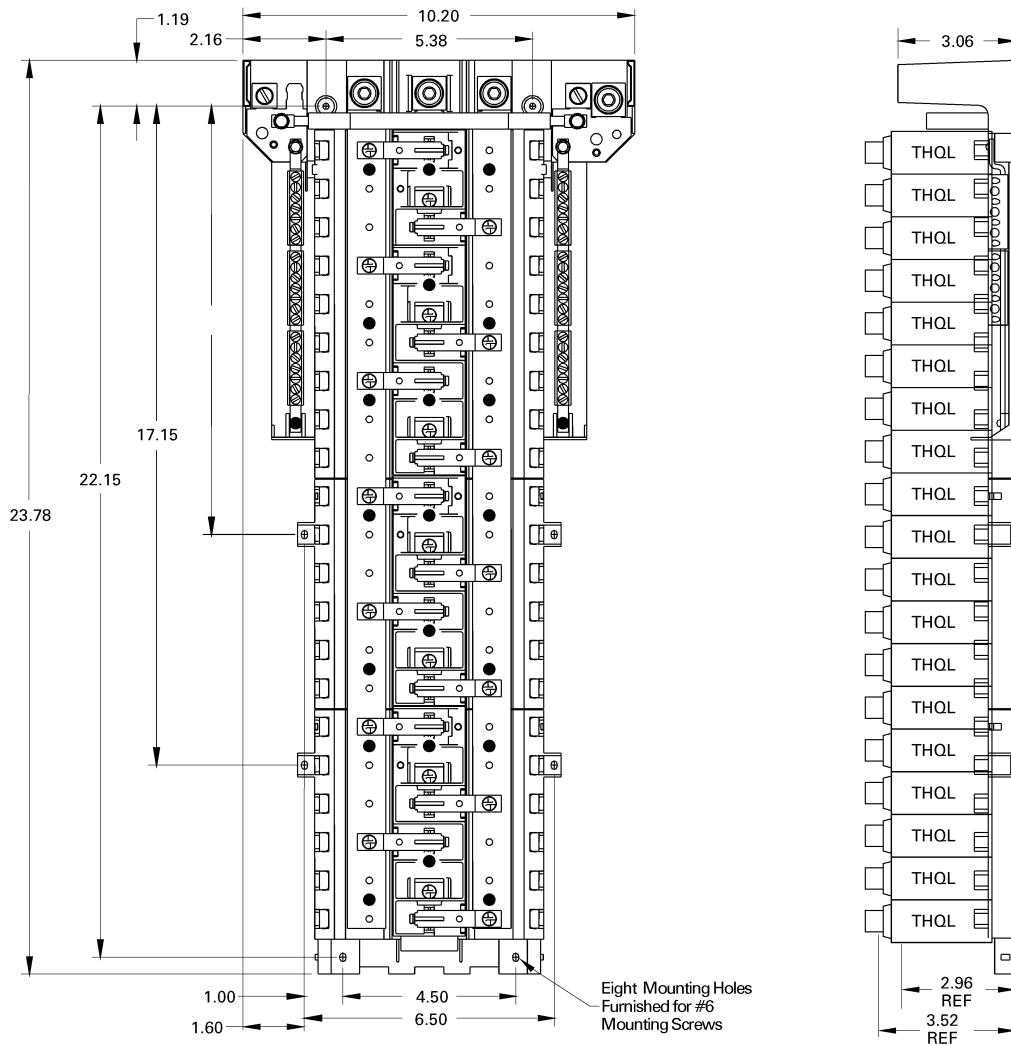
TL42BC3	Assembly, Front and Pan	1	1
139C5515P5	Door	1	1
192A6597P1	Hinge	3	1200
THDWRKIT	Front Mounting Screw Kit	20	20

### Box Assembly

LC4020BOX	Box Assembly	1	24
-----------	--------------	---	----

### Accessories

TBS	Bonding Screw Kit	1	1
TGK42	Equipment Ground Kit	1	1



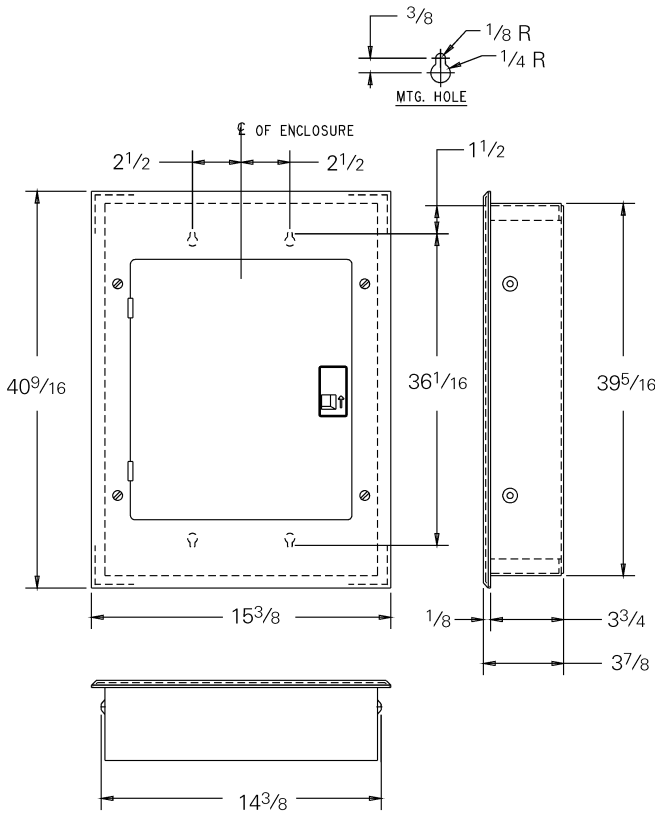
OEM interiors are UL-recognized components listed under UL file E21790.

Main Ampere Rating	Maximum Spaces			Total 1-Pole Spaces
	1" THQL			
	1-Pole	2-Pole	3-Pole	
200	42	20	14	42

Alternate backfed main breaker rating: 100 A max.

Main breaker retainer required: THQLRK





### Equipment Ground Terminations

Solid, AWG	Stranded, AWG
14-4 Cu	14-4 Cu
12-10 Al	12-4 Al

### Neutral Terminations

Solid, AWG	Stranded, AWG
14-8 Cu	12-4 Cu
12-8 Al	12-4 Al

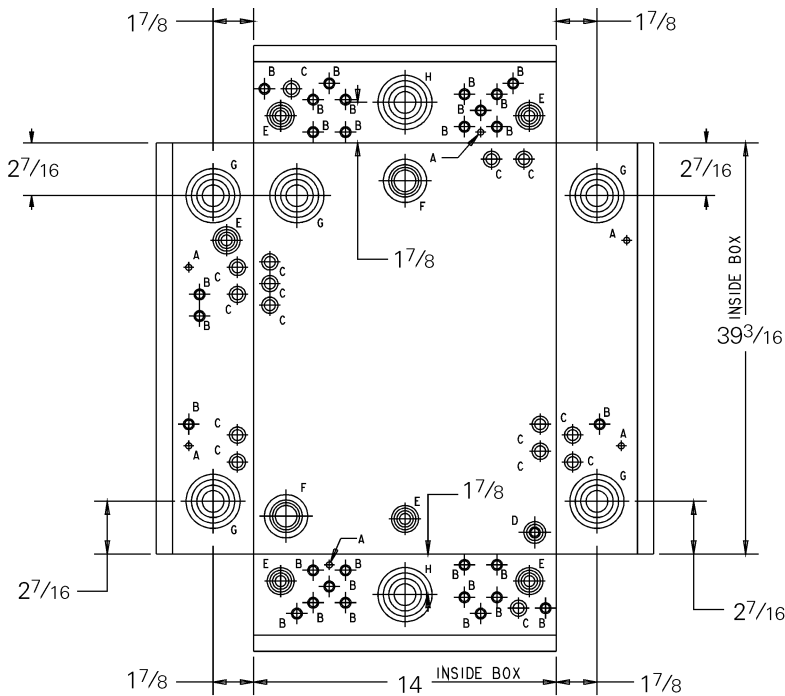
### Wire Sizes

Line	Neutral Lugs
1-250 Cu	6-2/0 Cu-Al
2/0-250 Al	

UL listed (Panelboards No. 67)

60° C and 75° C conductor rating.

22,000 amperes RMS symmetrical short-circuit rating.



### KNOCKOUT DIAGRAM

NOTE: ALL K.O. LOCATING DIMENSIONS ARE INSIDE OF BOX.

- A = 9/32 K.O.
- B = 3/8 X 1/2 K.O.
- C = 1/2 X 3/4 K.O.
- D = 3/8 X 1/2 X 3/4 X 1 K.O.
- E = 1/2 X 3/4 X 1 X 1 1/4 K.O.
- F = 1 X 1 1/4 X 1 1/2 X 2 K.O.
- G = 1 X 1 1/2 X 2 X 2 1/2 K.O.
- H = 3/4 X 1 X 1 1/4 X 1 1/2 X 2 X 2 1/2 K.O.

### Interior Assembly

Part Number	Description	Min. Qty.	Master Pack Qty.
TL30422U	Interior, 30 circuit, 3-phase, 225 A	1	10
THDWRKIT2	Interior Mounting Screw Kit	10	10

### Front Assembly

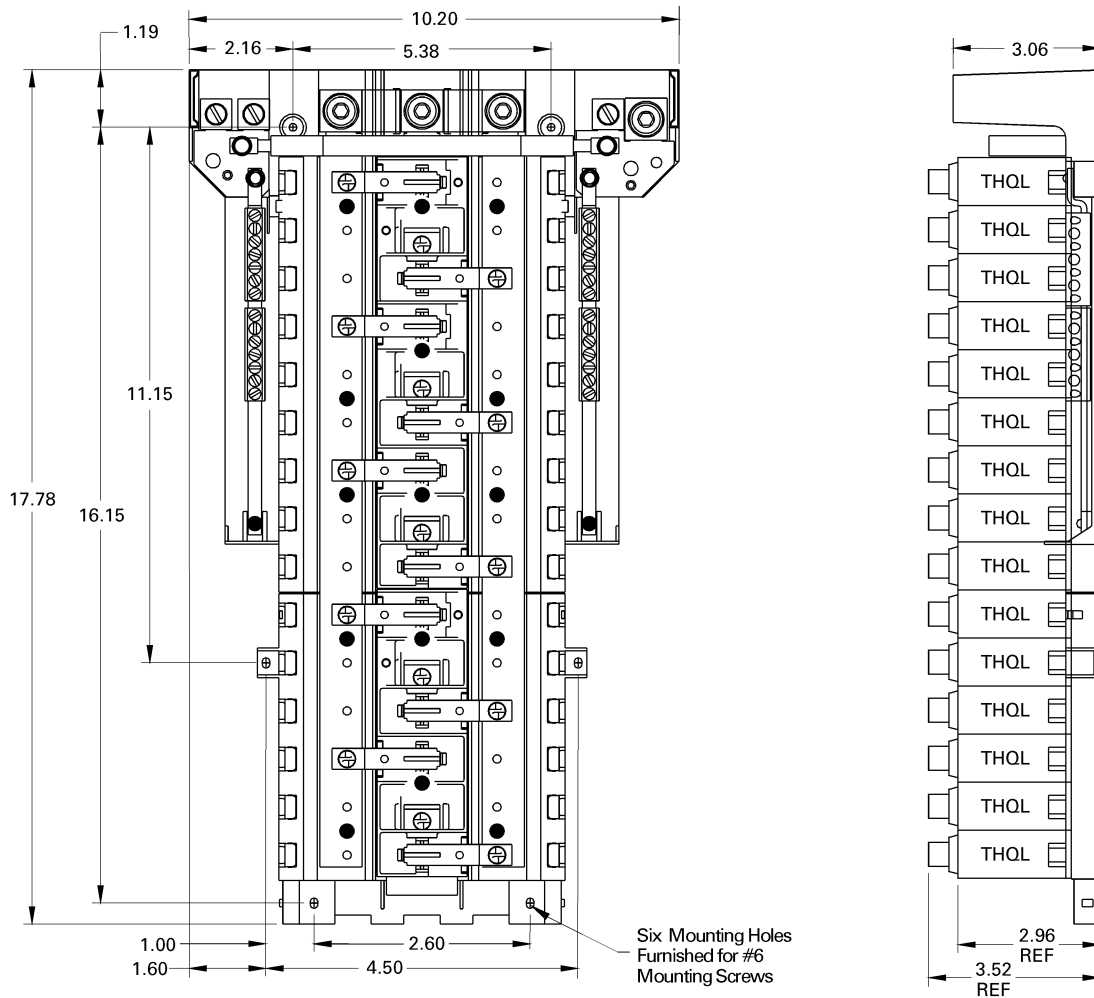
TL30AC3	Assembly, Front and Pan	1	1
139C5515P4	Door	1	1
192A6597P1	Hinge	3	1200
THDWRKIT	Front Mounting Screw Kit	20	20

### Box Assembly

LC30422BOX	Box Assembly	1	14
------------	--------------	---	----

### Accessories

TBS	Bonding Screw Kit	1	1
TGL2 (two)	Equipment Ground Kit	1	1



OEM interiors are UL-recognized components listed under UL file E21790.

Main Ampere Rating	Maximum Spaces			Total 1-Pole Spaces
	1" THQL			
	1-Pole	2-Pole	3-Pole	
225	30	14	10	30

Alternate backfed main breaker rating: 100 A max.

Main breaker retainer required: THQLRK



### Interior Assembly

Part Number	Description	Min. Qty.	Master Pack Qty.
TL42422U	Interior, 42 circuit, 3-phase, 225 A	1	10
THDWRKIT2	Interior Mounting Screw Kit	10	10

### Front Assembly

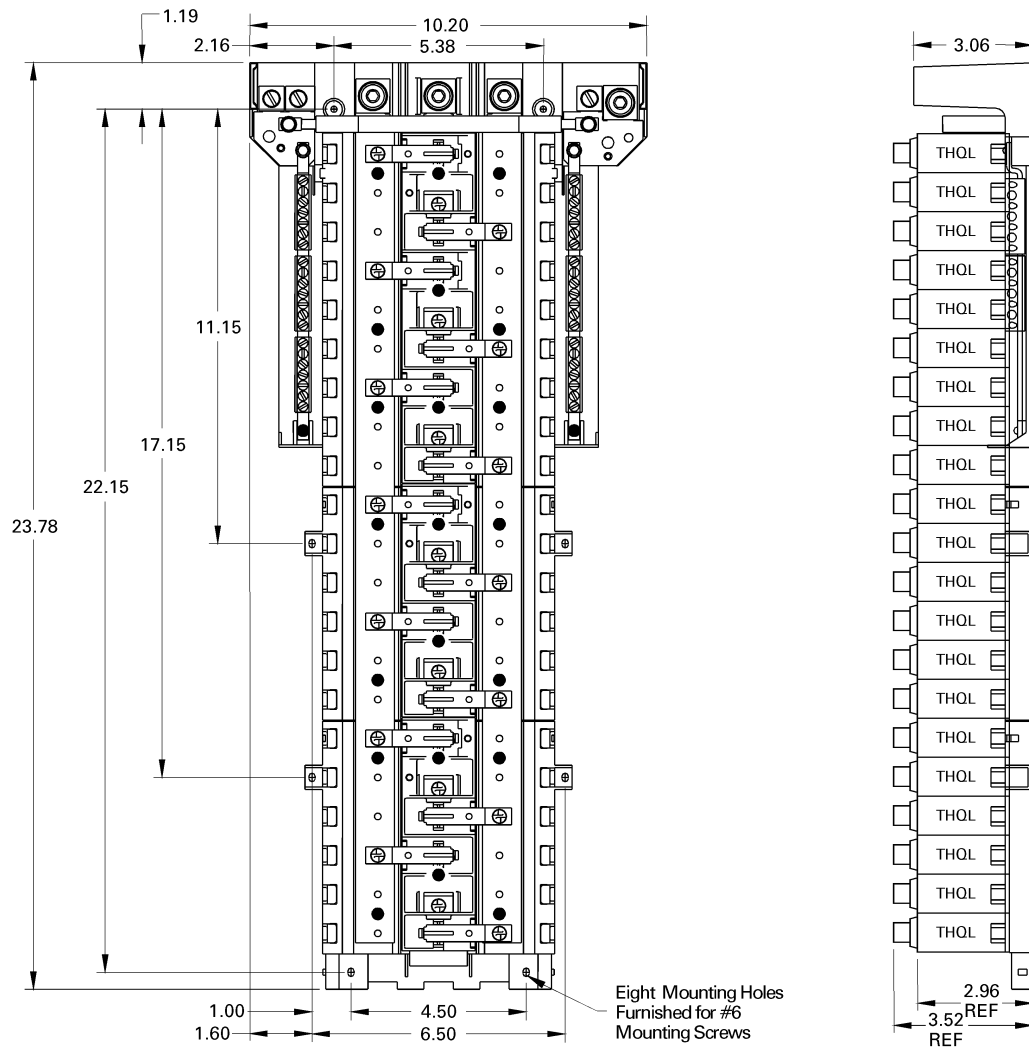
TL42AC3	Assembly, Front and Pan	1	1
139C5515P4	Door	1	1
192A6597P1	Hinge	3	1200
THDWRKIT	Front Mounting Screw Kit	20	20

### Box Assembly

LC30422BOX	Box Assembly	1	14
------------	--------------	---	----

### Accessories

TBS	Bonding Screw Kit	1	1
TGL2 (two)	Equipment Ground Kit	1	1



OEM interiors are UL-recognized components listed under UL file E21790.

Main Ampere Rating	Maximum Spaces			Total 1-Pole Spaces
	1-Pole	2-Pole	3-Pole	
225	42	20	14	42

Alternate backfed main breaker rating: 100 A max.

Main breaker retainer required: THQLRK



### Interior Assembly

Part Number	Description	Min. Qty.	Master Pack Qty.
TM12410U	Interior, 12 circuit, 3-phase, 100 A	1	10
THDWRKIT2	Interior Mounting Screw Kit	10	10
THHQL32100	Main Breaker, 3-pole, 100 A	1	15
THQLRK	THQL Retainer Kit	1	200

### Front Assembly

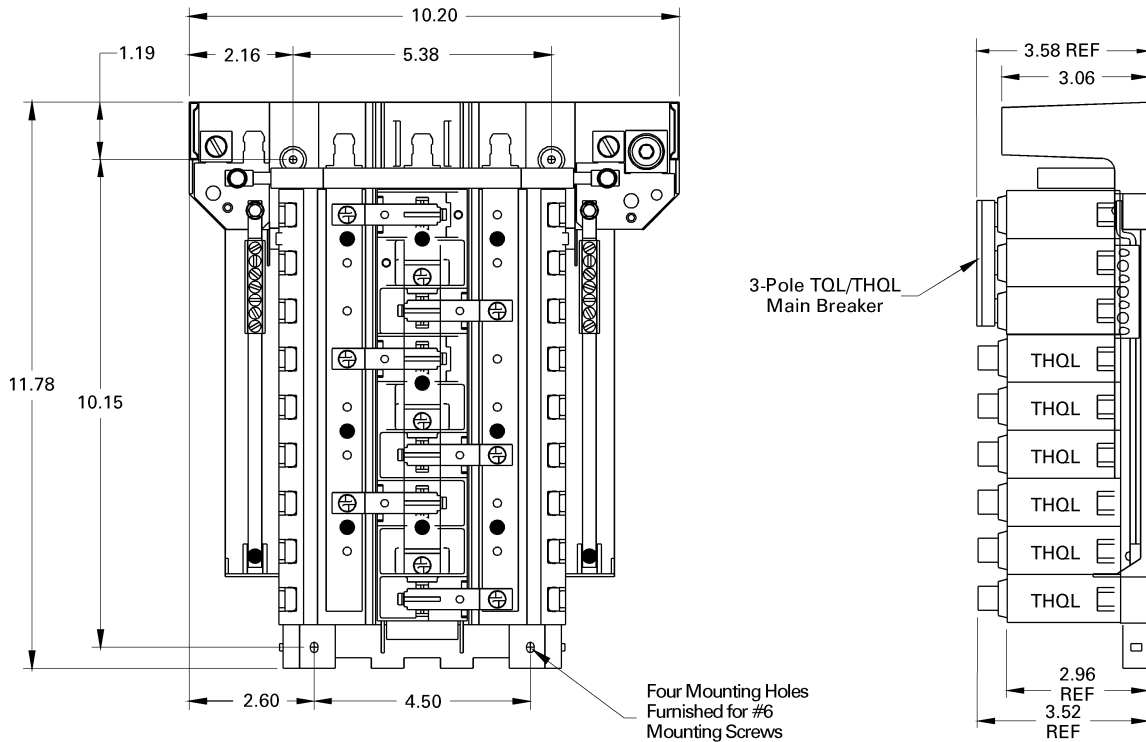
TM12AC3	Assembly, Front and Pan	1	1
139C5515P3	Door	1	1
192A6597P1	Hinge	3	1200
THDWRKIT	Front Mounting Screw Kit	20	20

### Box Assembly

LC18410BOX	Box Assembly	1	40
------------	--------------	---	----

### Accessories

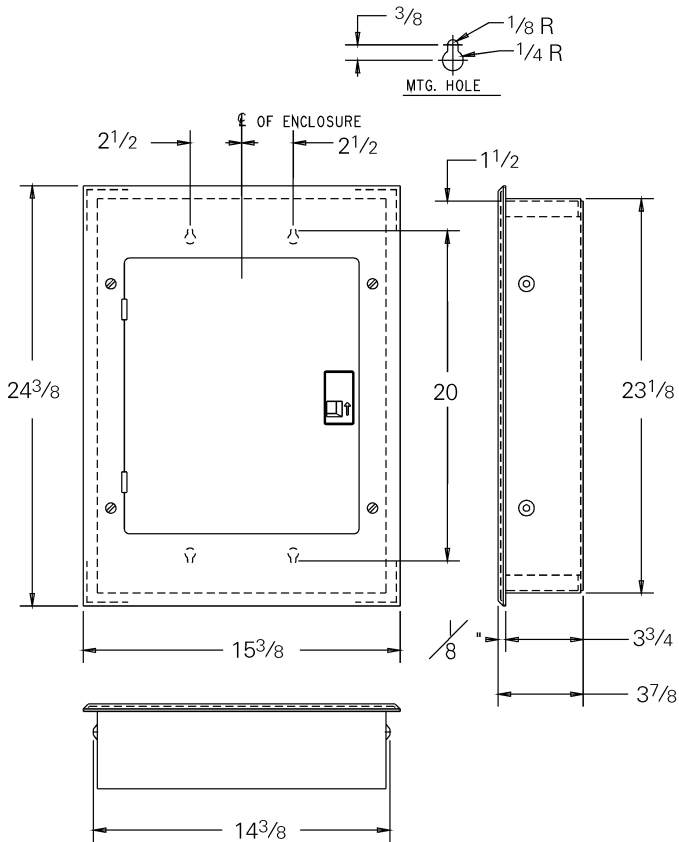
TBS	Bonding Screw Kit	1	1
TGK12, TGK24	Equipment Ground Kit	1	1



OEM interiors are UL-recognized components listed under UL file E21790.

Main Ampere Rating	Maximum Spaces			Total 1-Pole Spaces
	1-Pole	2-Pole	3-Pole	
100	12	6	4	12

Note: Main breaker included.



### Equipment Ground Terminations

Solid, AWG	Stranded, AWG
14-4 Cu	14-4 Cu
12-10 Al	12-4 Al

### Neutral Terminations

Solid, AWG	Stranded, AWG
14-8 Cu	12-4 Cu
12-8 Al	12-4 Al

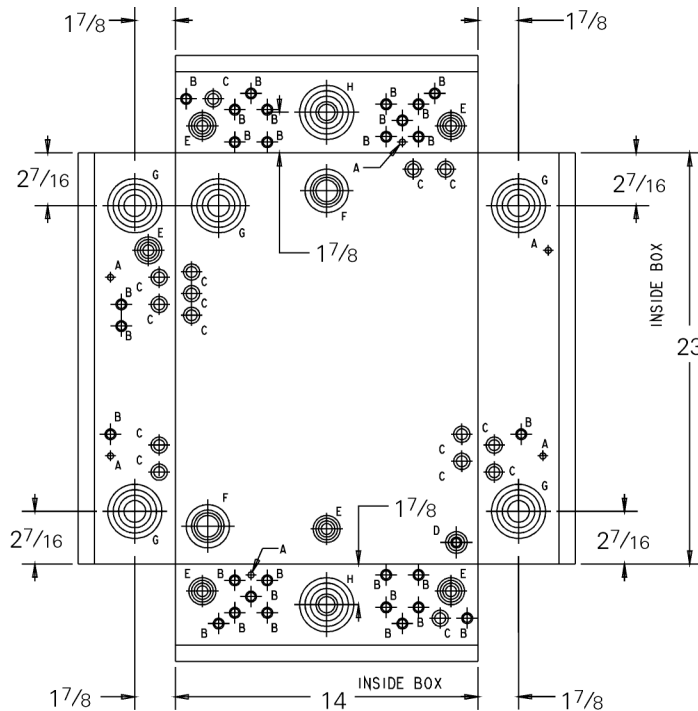
### Wire Sizes

Line	Neutral Lugs
6-1/0 Cu, 4-1/0 Al	6-2/0 Cu-Al

UL listed (Panelboards No. 67)

60° C and 75° C conductor rating.

22,000 amperes RMS symmetrical short-circuit rating.



### KNOCKOUT DIAGRAM

NOTE: ALL K.O. LOCATING DIMENSIONS ARE INSIDE OF BOX.

- A = 9/32 K.O.
- B = 3/8 X 1/2 K.O.
- C = 1/2 X 3/4 K.O.
- D = 3/8 X 1/2 X 3/4 X 1 K.O.
- E = 1/2 X 3/4 X 1 X 1 1/4 K.O.
- F = 1 X 1 1/4 X 1 1/2 X 2 K.O.
- G = 1 X 1 1/2 X 2 X 2 1/2 K.O.
- H = 3/4 X 1 X 1 1/4 X 1 1/2 X 2 X 2 1/2 K.O.

### Interior Assembly

Part Number	Description	Min. Qty.	Master Pack Qty.
TM18410U	Interior, 18 circuit, 3-phase, 100 A	1	10
THDWRKIT2	Interior Mounting Screw Kit	10	10
THHQL32100	Main Breaker, 3-pole, 100 A	1	15
THQLRK	THQL Retainer Kit	1	200

### Front Assembly

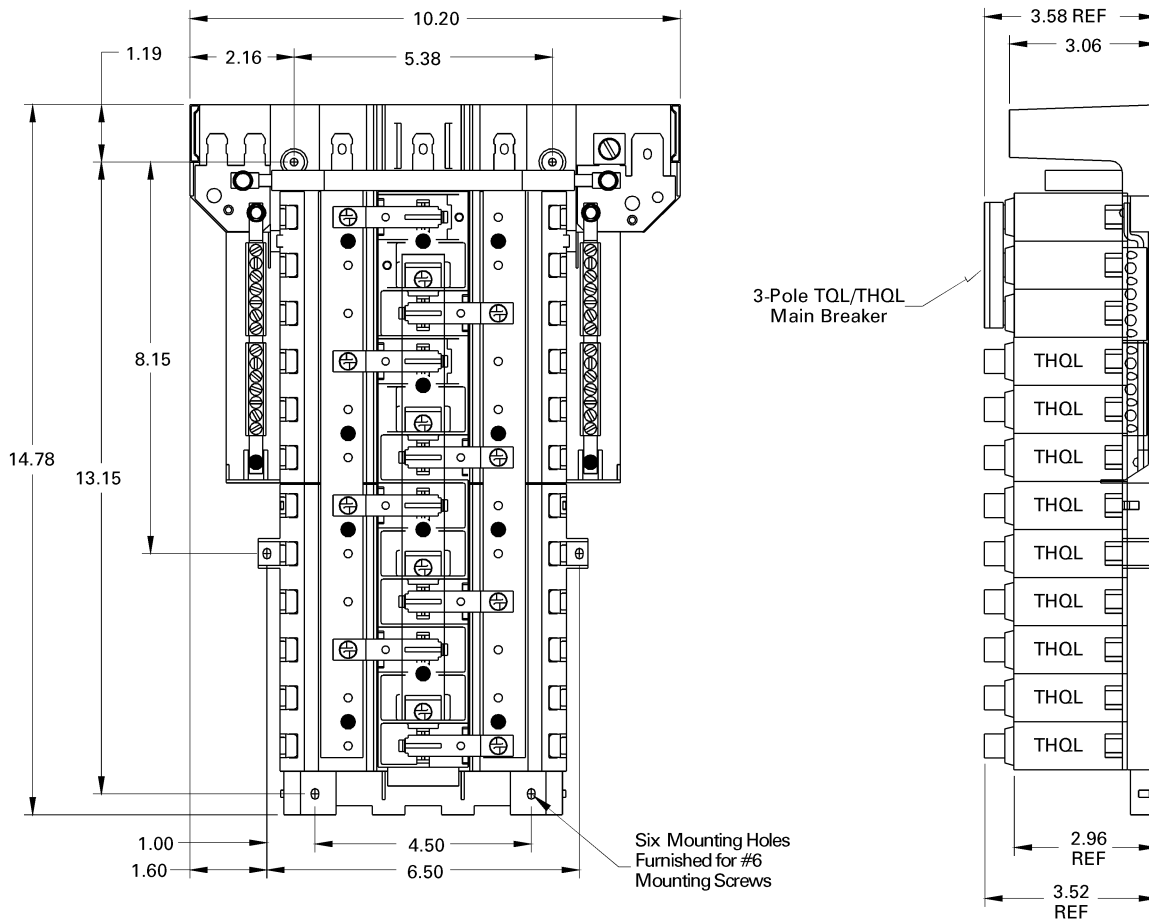
TM18AC3	Assembly, Front and Pan	1	1
139C5515P3	Door	1	1
192A6597P1	Hinge	3	1200
THDWRKIT	Front Mounting Screw Kit	20	20

### Box Assembly

LC18410BOX	Box Assembly	1	40
------------	--------------	---	----

### Accessories

TBS	Bonding Screw Kit	1	1
TGK24, TGK32	Equipment Ground Kit	1	1

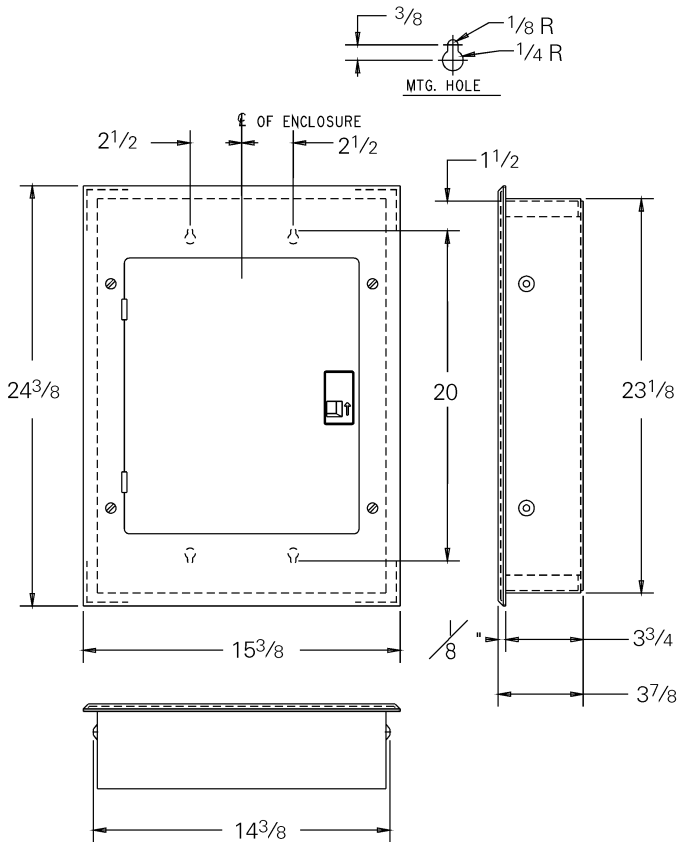


OEM interiors are UL-recognized components listed under UL file E21790.

Main Ampere Rating	Maximum Spaces			Total 1-Pole Spaces
	1-Pole	2-Pole	3-Pole	
100	18	8	6	18

Note: Main breaker included.





### Equipment Ground Terminations

Solid, AWG	Stranded, AWG
14-4 Cu	14-4 Cu
12-10 Al	12-4 Al

### Neutral Terminations

Solid, AWG	Stranded, AWG
14-8 Cu	12-4 Cu
12-8 Al	12-4 Al

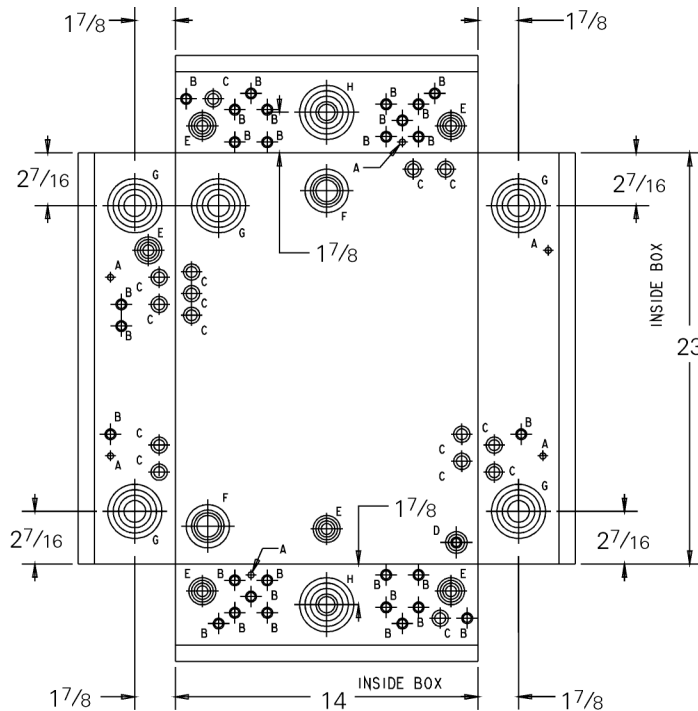
### Wire Sizes

Line	Neutral Lugs
6-1/0 Cu, 4-1/0 Al	6-2/0 Cu-Al

UL listed (Panelboards No. 67)

60° C and 75° C conductor rating.

22,000 amperes RMS symmetrical short-circuit rating.



### KNOCKOUT DIAGRAM

NOTE: ALL K.O. LOCATING DIMENSIONS ARE INSIDE OF BOX.

- A = 9/32 K.O.
- B = 3/8 X 1/2 K.O.
- C = 1/2 X 3/4 K.O.
- D = 3/8 X 1/2 X 3/4 X 1 K.O.
- E = 1/2 X 3/4 X 1 X 1 1/4 K.O.
- F = 1 X 1 1/4 X 1 1/2 X 2 K.O.
- G = 1 X 1 1/2 X 2 X 2 1/2 K.O.
- H = 3/4 X 1 X 1 1/4 X 1 1/2 X 2 X 2 1/2 K.O.

### Interior Assembly

Part Number	Description	Min. Qty.	Master Pack Qty.
TM30412U	Interior, 30 circuit, 3-phase, 125 A	1	10
THDWRKIT2	Interior Mounting Screw Kit	10	10

### Front Assembly

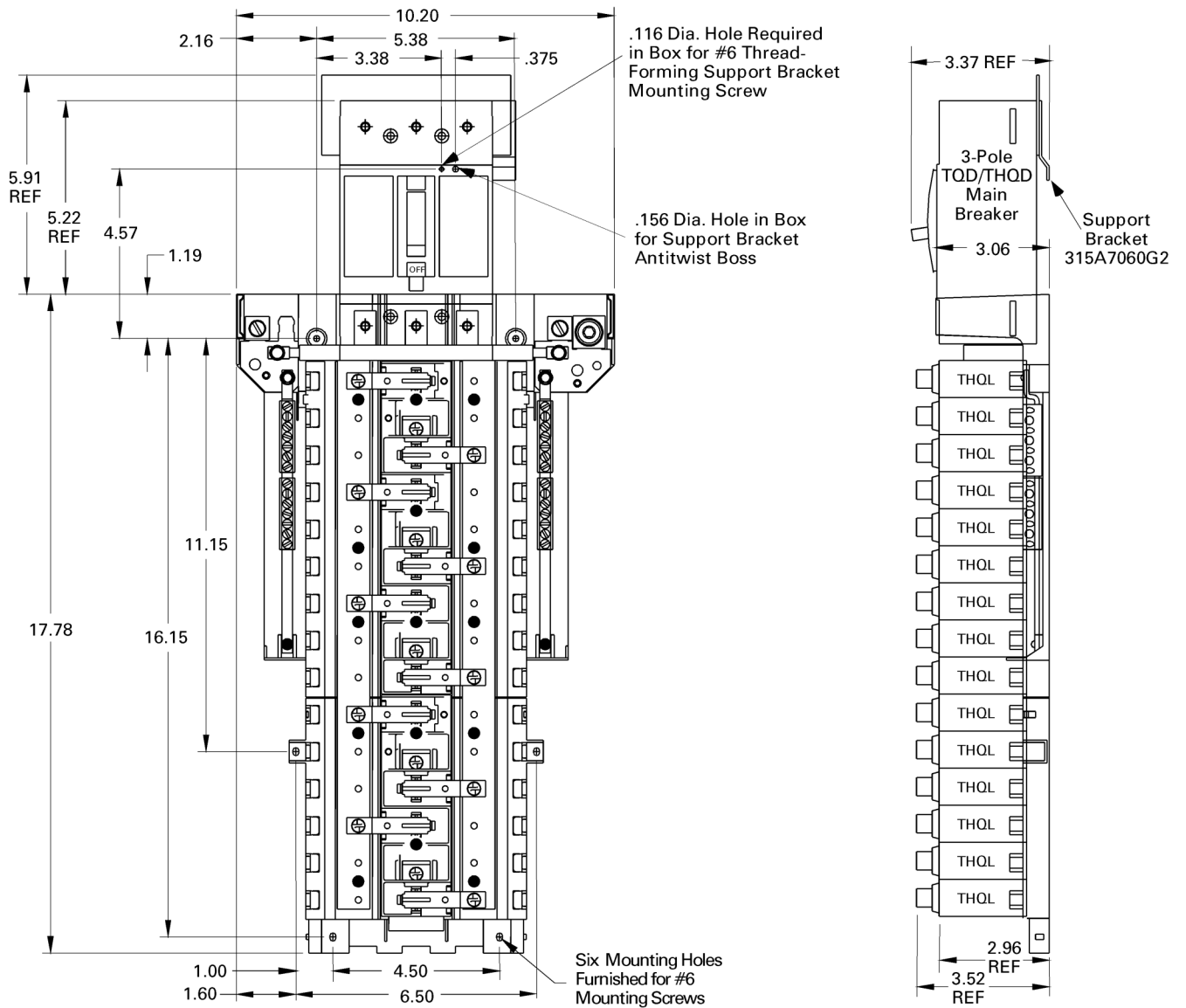
TM30EC3	Assembly, Front and Pan	1	1
139C5515P5	Door	1	1
192A6597P1	Hinge	3	1200
THDWRKIT	Front Mounting Screw Kit	20	20

### Box Assembly

LC30420BOX	Box Assembly	1	24
------------	--------------	---	----

### Accessories

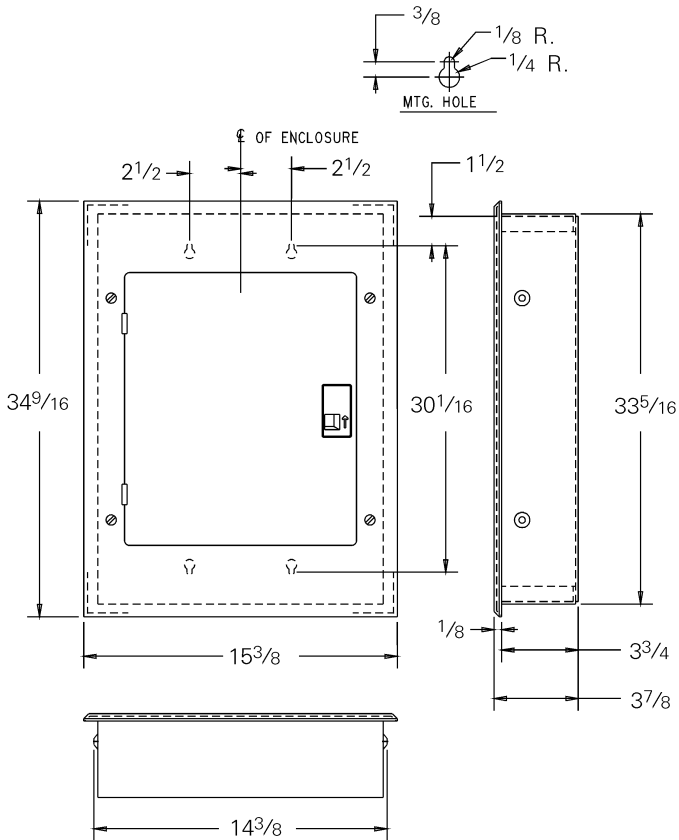
TBS	Bonding Screw Kit	1	1
TGK32	Equipment Ground Kit	1	1
THQD32125X2	Circuit Breaker, TQD225 Style	1	1
315A7060G2	ASM, Support Bracket, Breaker	1	200
N667CP12004B6	Screw, Support Bracket Mounting	1	200
N37P17042B6	Screw, Breaker Mounting to Bracket	1	200
192A6976P167	Screw, Breaker Load Connection	3	200



OEM interiors are UL-recognized components listed under UL file E21790.

Main Ampere Rating	Maximum Spaces			Total 1-Pole Spaces
	1-Pole	2-Pole	3-Pole	
125	30	14	10	30

Note: Main breaker and accessories not included with OEM interior; order separately.



**Equipment Ground Terminations**

Solid, AWG	Stranded, AWG
14-4 Cu	14-4 Cu
12-10 Al	12-4 Al

**Neutral Terminations**

Solid, AWG	Stranded, AWG
14-8 Cu	12-4 Cu
12-8 Al	12-4 Al

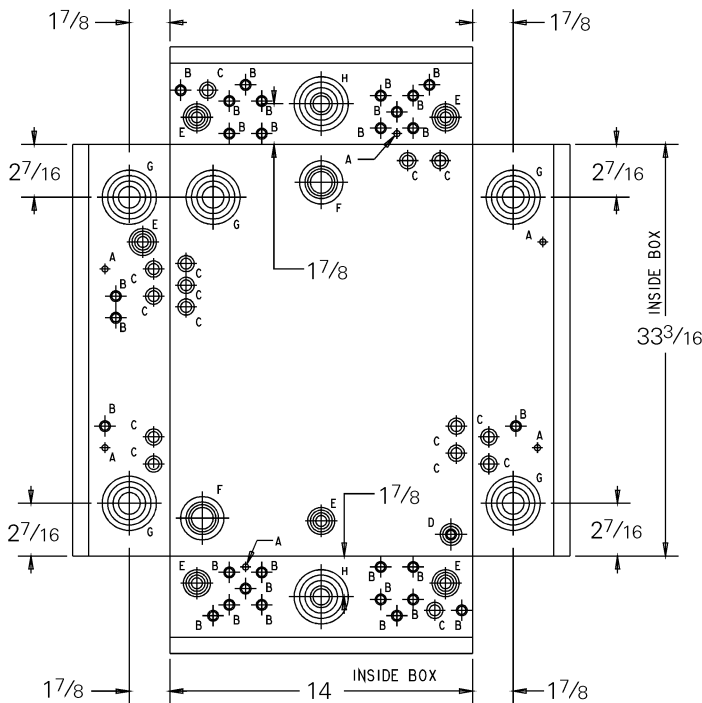
**Wire Sizes**

Line	Neutral Lugs
1-3/0 Cu, 2/0-3/0 Al	6-2/0 Cu-Al

UL listed (Panelboards No. 67)

60° C and 75° C conductor rating.

22,000 amperes RMS symmetrical short-circuit rating.



**KNOCKOUT DIAGRAM**

NOTE: ALL K.O. LOCATING DIMENSIONS ARE INSIDE OF BOX.

- A = 9/32 K.O.
- B = 3/8 X 1/2 K.O.
- C = 1/2 X 3/4 K.O.
- D = 3/8 X 1/2 X 3/4 X 1 K.O.
- E = 1/2 X 3/4 X 1 X 1 1/4 K.O.
- F = 1 X 1 1/4 X 1 1/2 X 2 K.O.
- G = 1 X 1 1/2 X 2 X 2 1/2 K.O.
- H = 3/4 X 1 X 1 1/4 X 1 1/2 X 2 X 2 1/2 K.O.

# GE OEM Load Center Parts Program

TM24415U

## Interior Assembly

Part Number	Description	Min. Qty.	Master Pack Qty.
TM24415U	Interior, 24 circuit, 3-phase, 150 A	1	10
THDWRKIT2	Interior Mounting Screw Kit	10	10

## Front Assembly

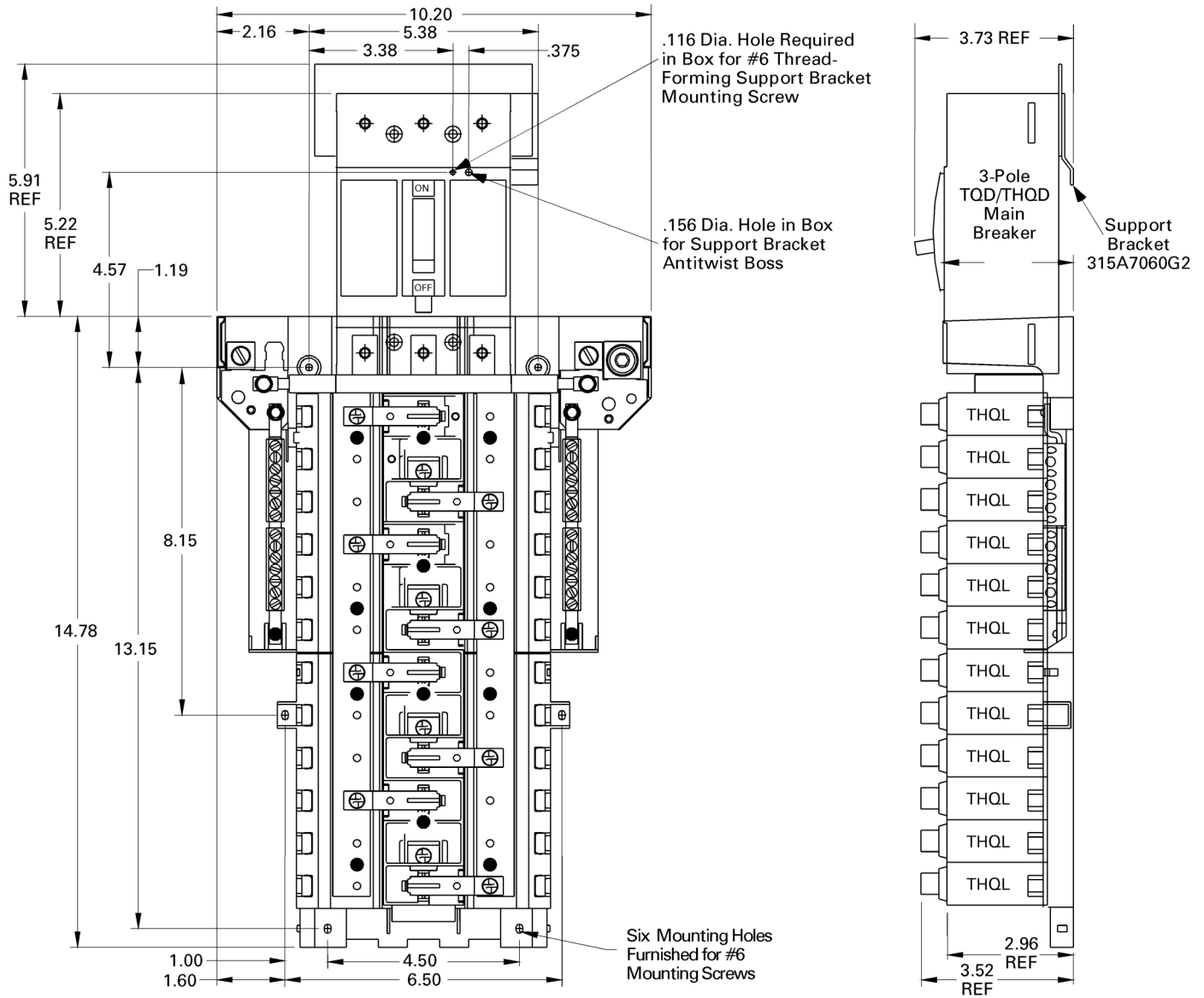
TM24EC3	Assembly, Front and Pan	1	1
139C5515P5	Door	1	1
192A6597P1	Hinge	3	1200
THDWRKIT	Front Mounting Screw Kit	20	20

## Box Assembly

LC30420BOX	Box Assembly	1	24
------------	--------------	---	----

## Accessories

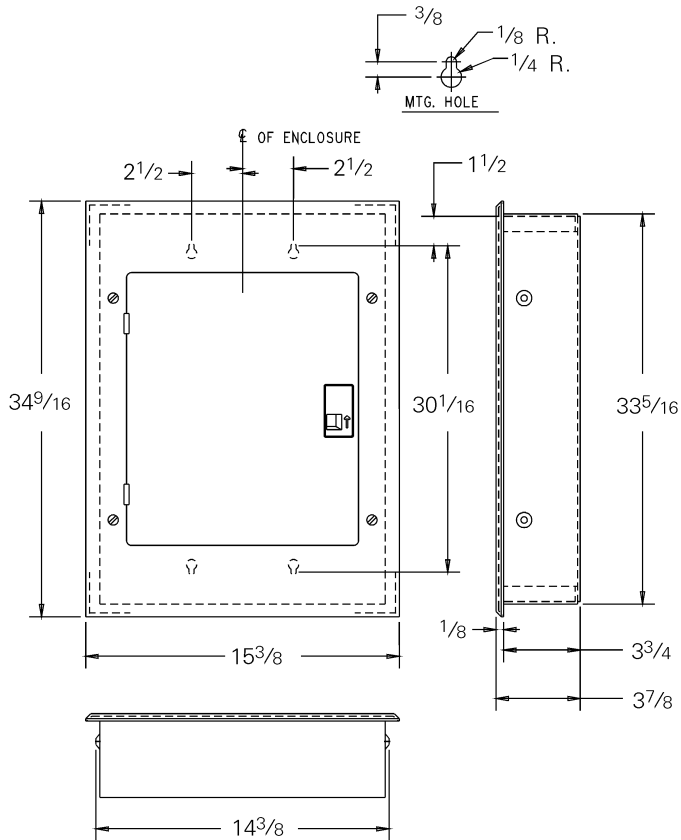
TBS	Bonding Screw Kit	1	1
TGK32	Equipment Ground Kit	1	1
THQD32150X2	Circuit Breaker, TQD225 Style	1	1
315A7060G2	ASM, Support Bracket, Breaker	1	200
N667CP12004B6	Screw, Support Bracket Mounting	1	200
N37P17042B6	Screw, Breaker Mounting to Bracket	1	200
192A6976P167	Screw, Breaker Load Connection	3	200



OEM interiors are UL-recognized components listed under UL file E21790.

Main Ampere Rating	Maximum Spaces			Total 1-Pole Spaces
	1-Pole	2-Pole	3-Pole	
150	24	12	8	24

Note: Main breaker and accessories not included with OEM interior; order separately.



### Equipment Ground Terminations

Solid, AWG	Stranded, AWG
14-4 Cu	14-4 Cu
12-10 Al	12-4 Al

### Neutral Terminations

Solid, AWG	Stranded, AWG
14-8 Cu	12-4 Cu
12-8 Al	12-4 Al

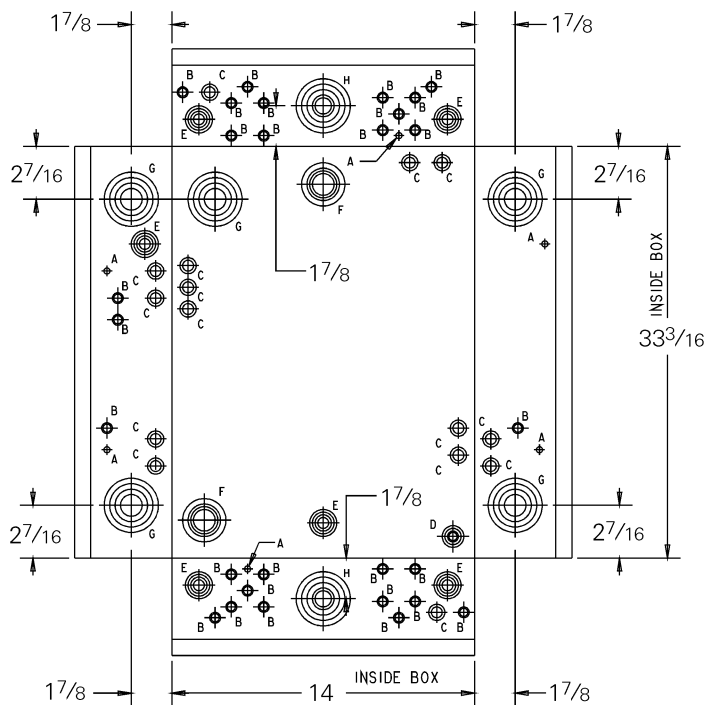
### Wire Sizes

Line	Neutral Lugs
1-3/0 Cu, 2/0-3/0 Al	6-2/0 Cu-Al

UL listed (Panelboards No. 67)

60° C and 75° C conductor rating.

22,000 amperes RMS symmetrical short-circuit rating.



### KNOCKOUT DIAGRAM

NOTE: ALL K.O. LOCATING DIMENSIONS ARE INSIDE OF BOX.

- A = 9/32 K.O.
- B = 3/8 X 1/2 K.O.
- C = 1/2 X 3/4 K.O.
- D = 3/8 X 1/2 X 3/4 X 1 K.O.
- E = 1/2 X 3/4 X 1 X 1 1/4 K.O.
- F = 1 X 1 1/4 X 1 1/2 X 2 K.O.
- G = 1 X 1 1/2 X 2 X 2 1/2 K.O.
- H = 3/4 X 1 X 1 1/4 X 1 1/2 X 2 X 2 1/2 K.O.

# GE OEM Load Center Parts Program

TM30415U

## Interior Assembly

Part Number	Description	Min. Qty.	Master Pack Qty.
TM30415U	Interior, 30 circuit, 3-phase, 150 A	1	10
THDWRKIT2	Interior Mounting Screw Kit	10	10

## Front Assembly

TM30EC3	Assembly, Front and Pan	1	1
139C5515P5	Door	1	1
192A6597P1	Hinge	3	1200
THDWRKIT	Front Mounting Screw Kit	20	20

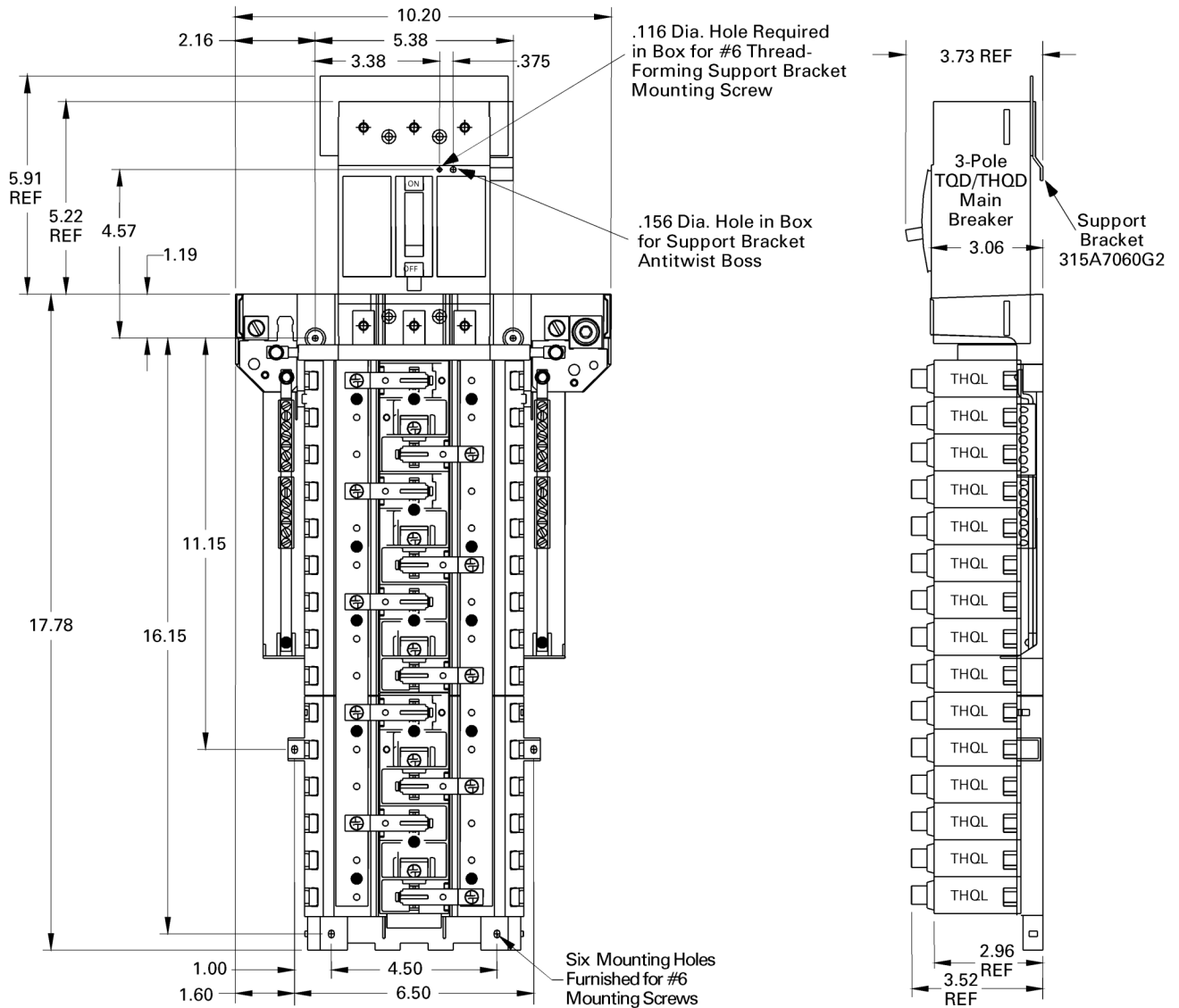
## Box Assembly

LC30420BOX	Box Assembly	1	24
------------	--------------	---	----

## Accessories

TBS	Bonding Screw Kit	1	1
TGK32	Equipment Ground Kit	1	1
THQD32150X2	Circuit Breaker, TQD225 Style	1	1
315A7060G2	ASM, Support Bracket, Breaker	1	200
N667CP12004B6	Screw, Support Bracket Mounting	1	200
N37P17042B6	Screw, Breaker Mounting to Bracket	1	200
192A6976P167	Screw, Breaker Load Connection	3	200

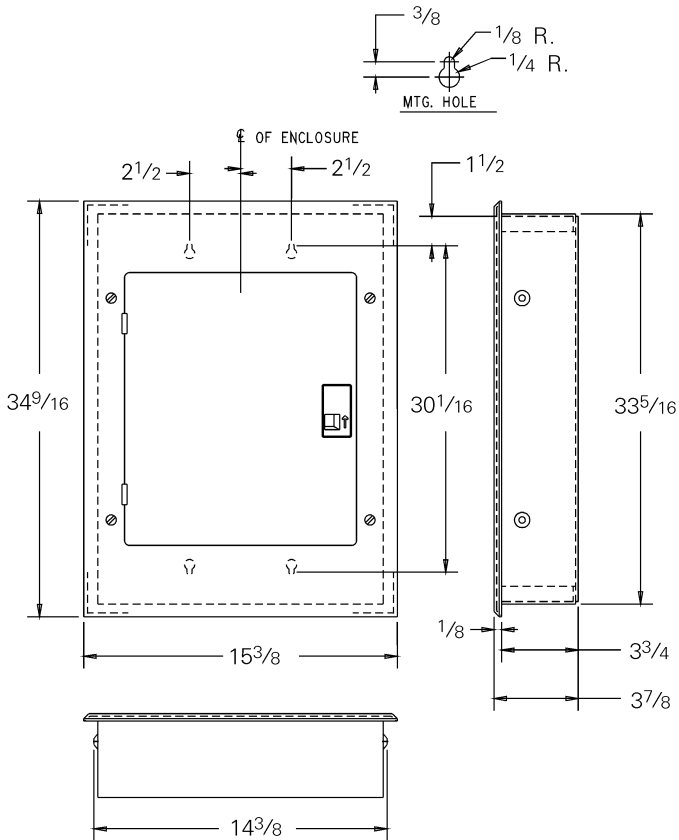




OEM interiors are UL-recognized components listed under UL file E21790.

Main Ampere Rating	Maximum Spaces			Total 1-Pole Spaces
	1" THQL			
	1-Pole	2-Pole	3-Pole	
150	30	14	10	30

Note: Main breaker and accessories not included with OEM interior; order separately.



### Equipment Ground Terminations

Solid, AWG	Stranded, AWG
14-4 Cu	14-4 Cu
12-10 Al	12-4 Al

### Neutral Terminations

Solid, AWG	Stranded, AWG
14-8 Cu	12-4 Cu
12-8 Al	12-4 Al

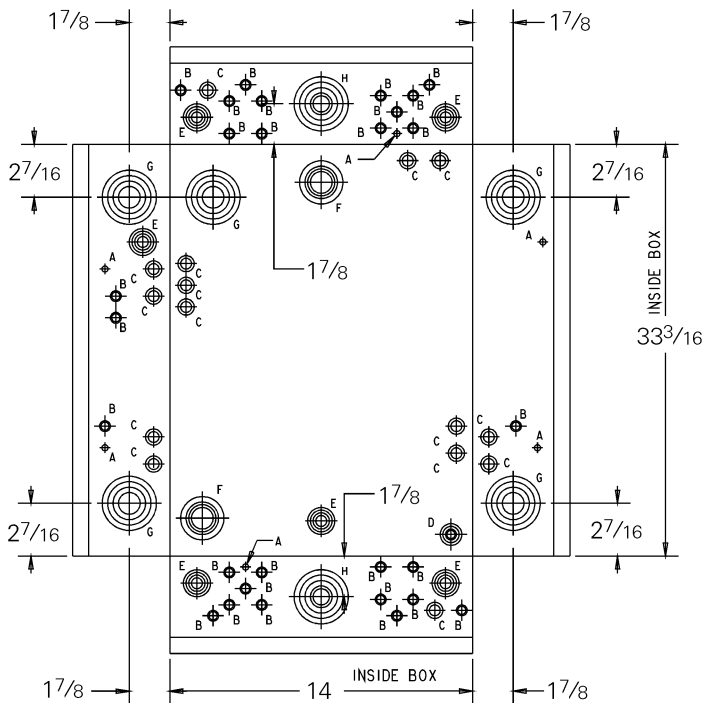
### Wire Sizes

Line	Neutral Lugs
1-3/0 Cu, 2/0-3/0 Al	6-2/0 Cu-Al

UL listed (Panelboards No. 67)

60° C and 75° C conductor rating.

22,000 amperes RMS symmetrical short-circuit rating.



### KNOCKOUT DIAGRAM

NOTE: ALL K.O. LOCATING DIMENSIONS ARE INSIDE OF BOX.

- A = 9/32 K.O.
- B = 3/8 X 1/2 K.O.
- C = 1/2 X 3/4 K.O.
- D = 3/8 X 1/2 X 3/4 X 1 K.O.
- E = 1/2 X 3/4 X 1 X 1 1/4 K.O.
- F = 1 X 1 1/4 X 1 1/2 X 2 K.O.
- G = 1 X 1 1/2 X 2 X 2 1/2 K.O.
- H = 3/4 X 1 X 1 1/4 X 1 1/2 X 2 X 2 1/2 K.O.

# GE OEM Load Center Parts Program

TM42415U

## Interior Assembly

Part Number	Description	Min. Qty.	Master Pack Qty.
TM42415U	Interior, 42 circuit, 3-phase, 150 A	1	10
THDWRKIT2	Interior Mounting Screw Kit	10	10

## Front Assembly

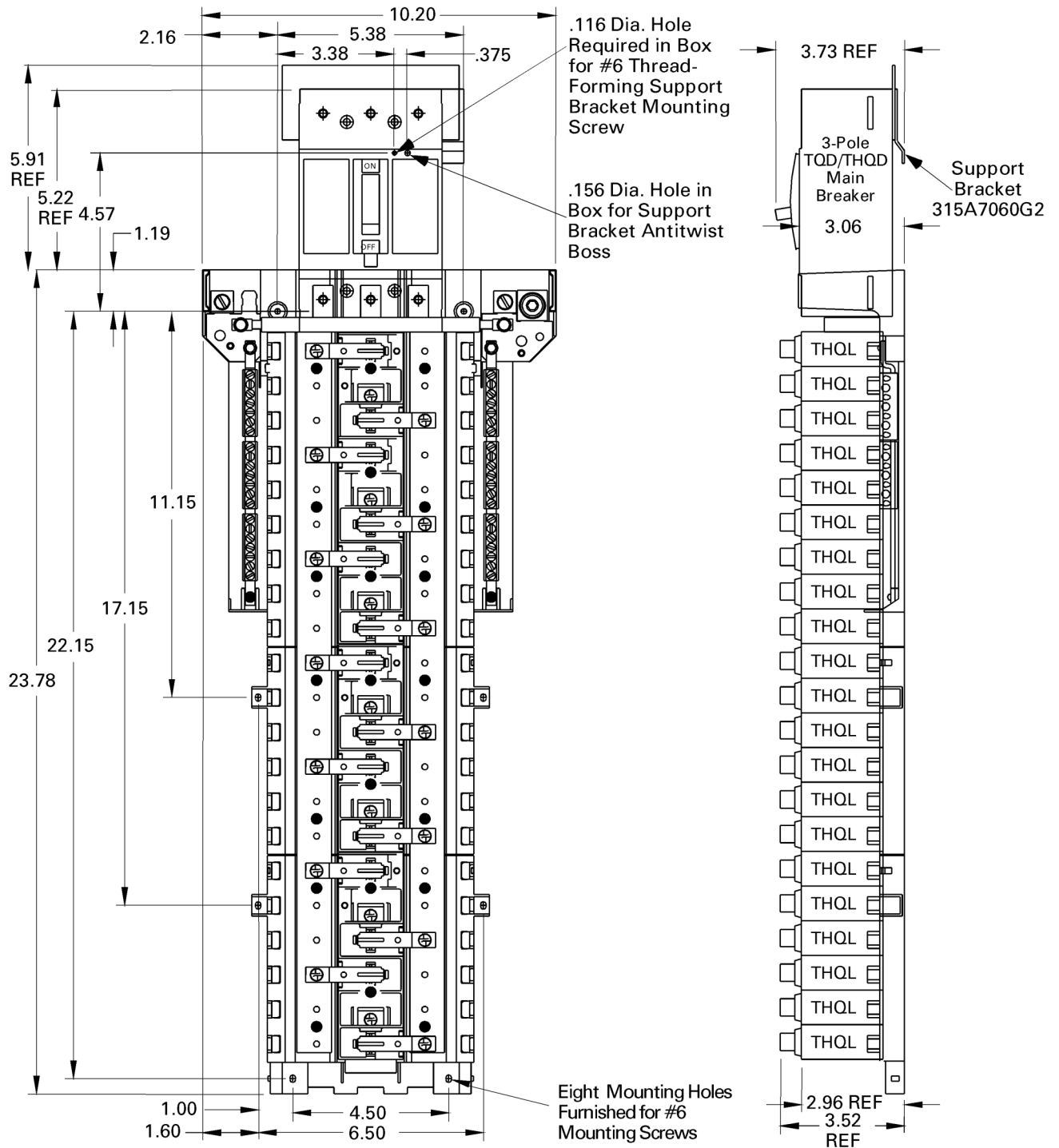
TM42EDC3	Assembly, Front and Pan	1	1
139C5515P5	Door	1	1
192A6597P1	Hinge	3	1200
THDWRKIT	Front Mounting Screw Kit	20	20

## Box Assembly

LC4020BOX	Box Assembly	1	24
-----------	--------------	---	----

## Accessories

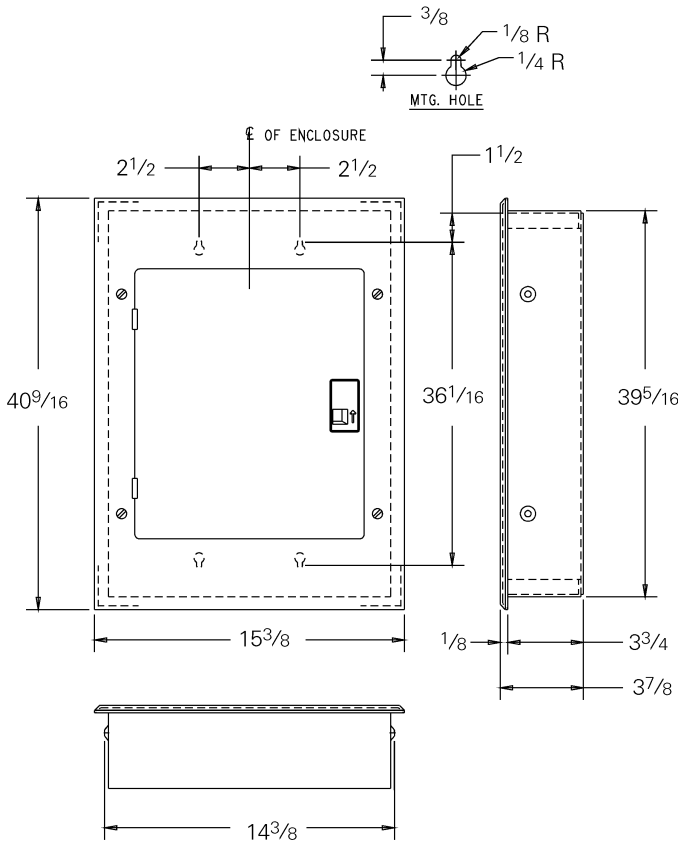
TBS	Bonding Screw Kit	1	1
TGK42	Equipment Ground Kit	1	1
THQD32150X2	Circuit Breaker, TQD225 Style	1	1
315A7060G2	ASM, Support Bracket, Breaker	1	200
N667CP12004B6	Screw, Support Bracket Mounting	1	200
N37P17042B6	Screw, Breaker Mounting to Bracket	1	200
192A6976P167	Screw, Breaker Load Connection	3	200



OEM interiors are UL-recognized components listed under UL file E21790.

Main Ampere Rating	Maximum Spaces			Total 1-Pole Spaces
	1" THQL			
	1-Pole	2-Pole	3-Pole	
150	42	20	14	42

Note: Main breaker and accessories not included with OEM interior; order separately.



### Equipment Ground Terminations

Solid, AWG	Stranded, AWG
14-4 Cu	14-4 Cu
12-10 Al	12-4 Al

### Neutral Terminations

Solid, AWG	Stranded, AWG
14-8 Cu	12-4 Cu
12-8 Al	12-4 Al

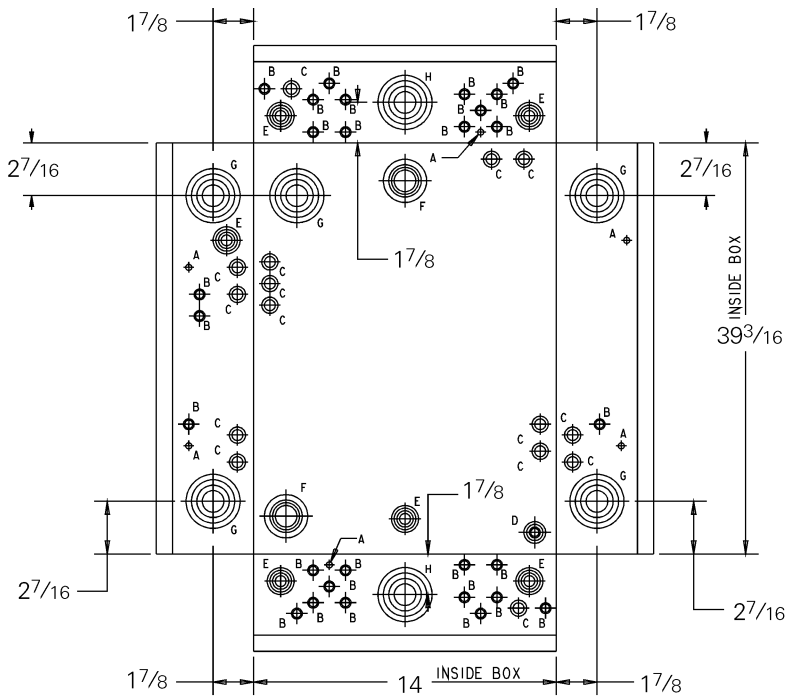
### Wire Sizes

Line	Neutral Lugs
1-3/0 Cu, 2/0-3/0 Al	6-2/0 Cu-Al

UL listed (Panelboards No. 67)

60° C and 75° C conductor rating.

22,000 amperes RMS symmetrical short-circuit rating.



### KNOCKOUT DIAGRAM

NOTE: ALL K.O. LOCATING DIMENSIONS ARE INSIDE OF BOX.

- A = 9/32 K.O.
- B = 3/8 X 1/2 K.O.
- C = 1/2 X 3/4 K.O.
- D = 3/8 X 1/2 X 3/4 X 1 K.O.
- E = 1/2 X 3/4 X 1 X 1 1/4 K.O.
- F = 1 X 1 1/4 X 1 1/2 X 2 K.O.
- G = 1 X 1 1/2 X 2 X 2 1/2 K.O.
- H = 3/4 X 1 X 1 1/4 X 1 1/2 X 2 X 2 1/2 K.O.

# GE OEM Load Center Parts Program

TM24420U

## Interior Assembly

Part Number	Description	Min. Qty.	Master Pack Qty.
TM24420U	Interior, 24 circuit, 3-phase, 200 A	1	10
THDWRKIT2	Interior Mounting Screw Kit	10	10

## Front Assembly

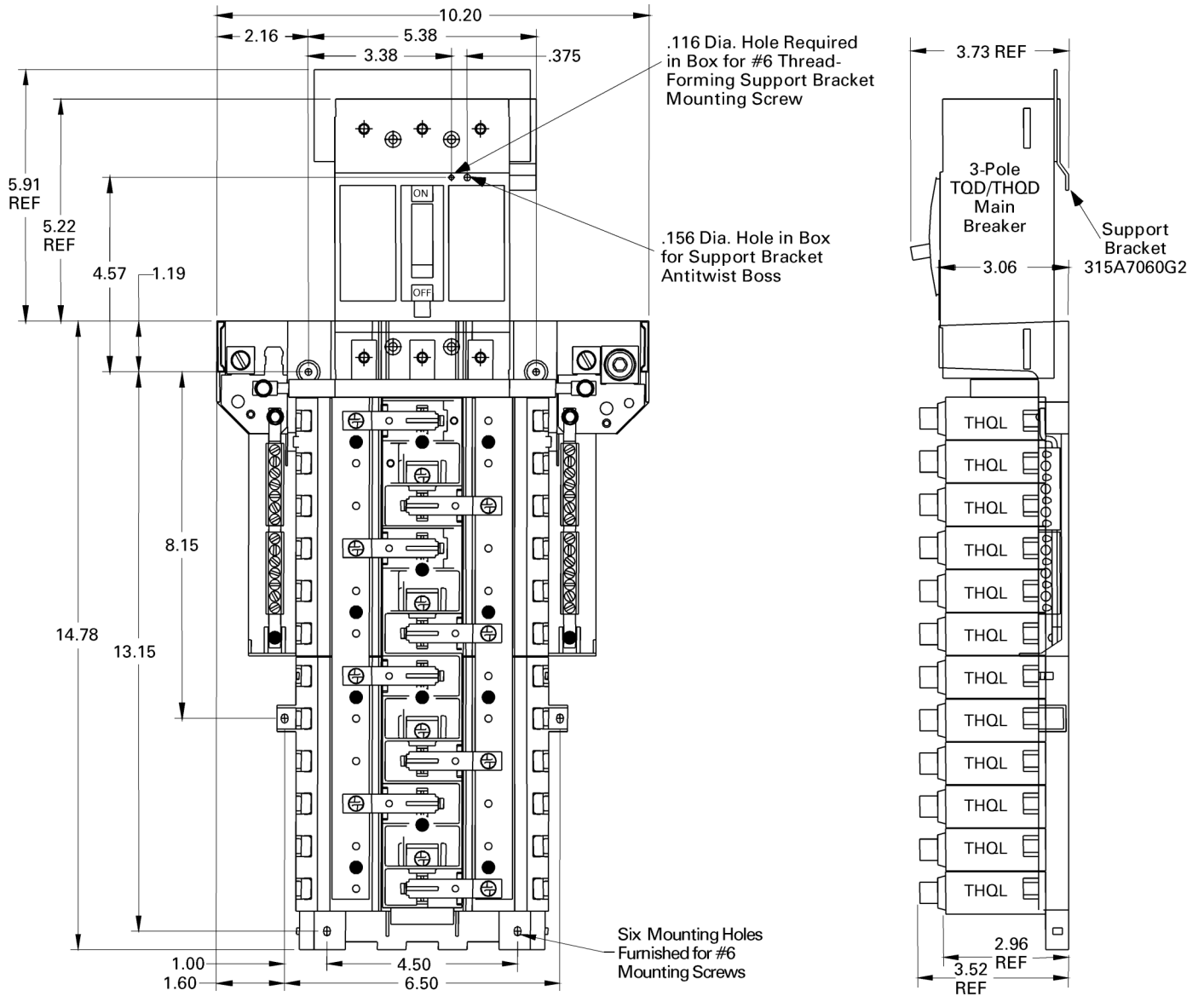
TM24DC3	Assembly, Front and Pan	1	1
139C5515P5	Door	1	1
192A6597P1	Hinge	3	1200
THDWRKIT	Front Mounting Screw Kit	20	20

## Box Assembly

LC30420BOX	Box Assembly	1	24
------------	--------------	---	----

## Accessories

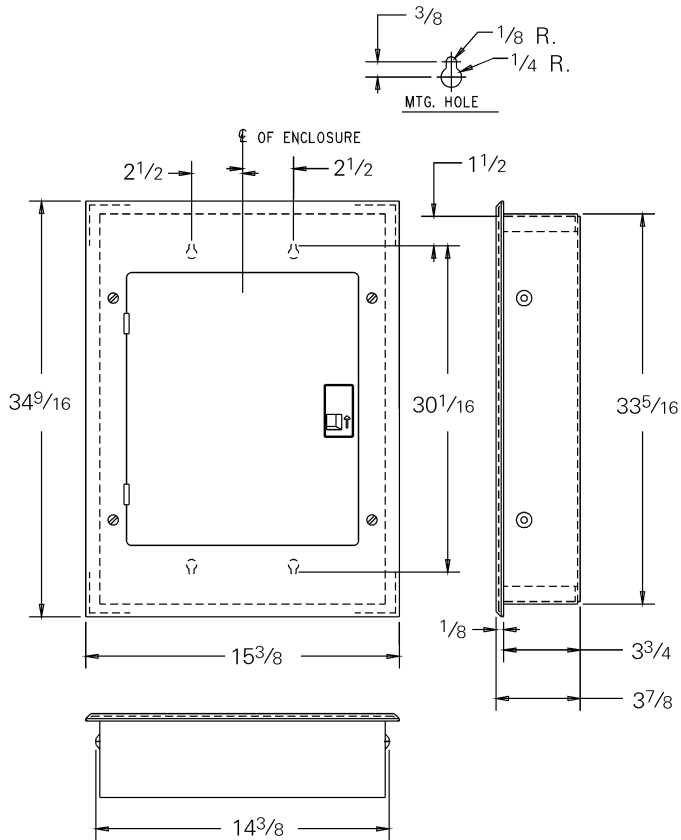
TBS	Bonding Screw Kit	1	1
TGK32	Equipment Ground Kit		1
THQD32200X2	Circuit Breaker, TQD225 Style	1	1
315A7060G2	ASM, Support Bracket, Breaker	1	200
N667CP12004B6	Screw, Support Bracket Mounting	1	200
N37P17042B6	Screw, Breaker Mounting to Bracket	1	200
192A6976P167	Screw, Breaker Load Connection	3	200



OEM interiors are UL-recognized components listed under UL file E21790.

Main Ampere Rating	Maximum Spaces			Total 1-Pole Spaces
	1-Pole	2-Pole	3-Pole	
200	24	12	8	24

Note: Main breaker and accessories not included with OEM interior; order separately.



### Equipment Ground Terminations

Solid, AWG	Stranded, AWG
14-4 Cu	14-4 Cu
12-10 Al	12-4 Al

### Neutral Terminations

Solid, AWG	Stranded, AWG
14-8 Cu	12-4 Cu
12-8 Al	12-4 Al

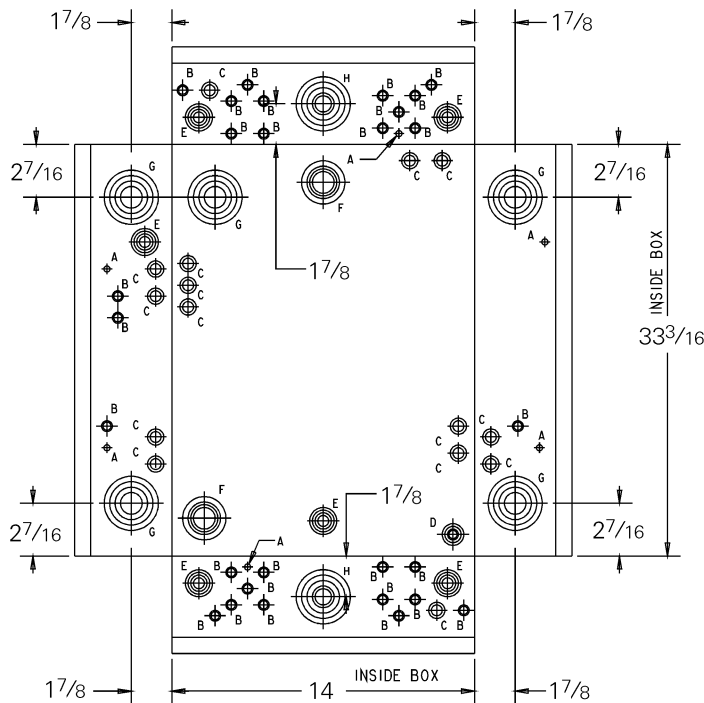
### Wire Sizes

Line	Neutral Lugs
1-300 MCM Cu, 2/0-300 MCM Al	6-2/0 Cu-Al

UL listed (Panelboards No. 67)

60° C and 75° C conductor rating.

22,000 amperes RMS symmetrical short-circuit rating.



### KNOCKOUT DIAGRAM

NOTE: ALL K.O. LOCATING DIMENSIONS ARE INSIDE OF BOX.

- A = 9/32 K.O.
- B = 3/8 X 1/2 K.O.
- C = 1/2 X 3/4 K.O.
- D = 3/8 X 1/2 X 3/4 X 1 K.O.
- E = 1/2 X 3/4 X 1 X 1 1/4 K.O.
- F = 1 X 1 1/4 X 1 1/2 X 2 K.O.
- G = 1 X 1 1/2 X 2 X 2 1/2 K.O.
- H = 3/4 X 1 X 1 1/4 X 1 1/2 X 2 X 2 1/2 K.O.



# GE OEM Load Center Parts Program

TM30420U

## Interior Assembly

Part Number	Description	Min. Qty.	Master Pack Qty.
TM30420U	Interior, 30 circuit, 3-phase, 200 A	1	10
THDWRKIT2	Interior Mounting Screw Kit	10	10

## Front Assembly

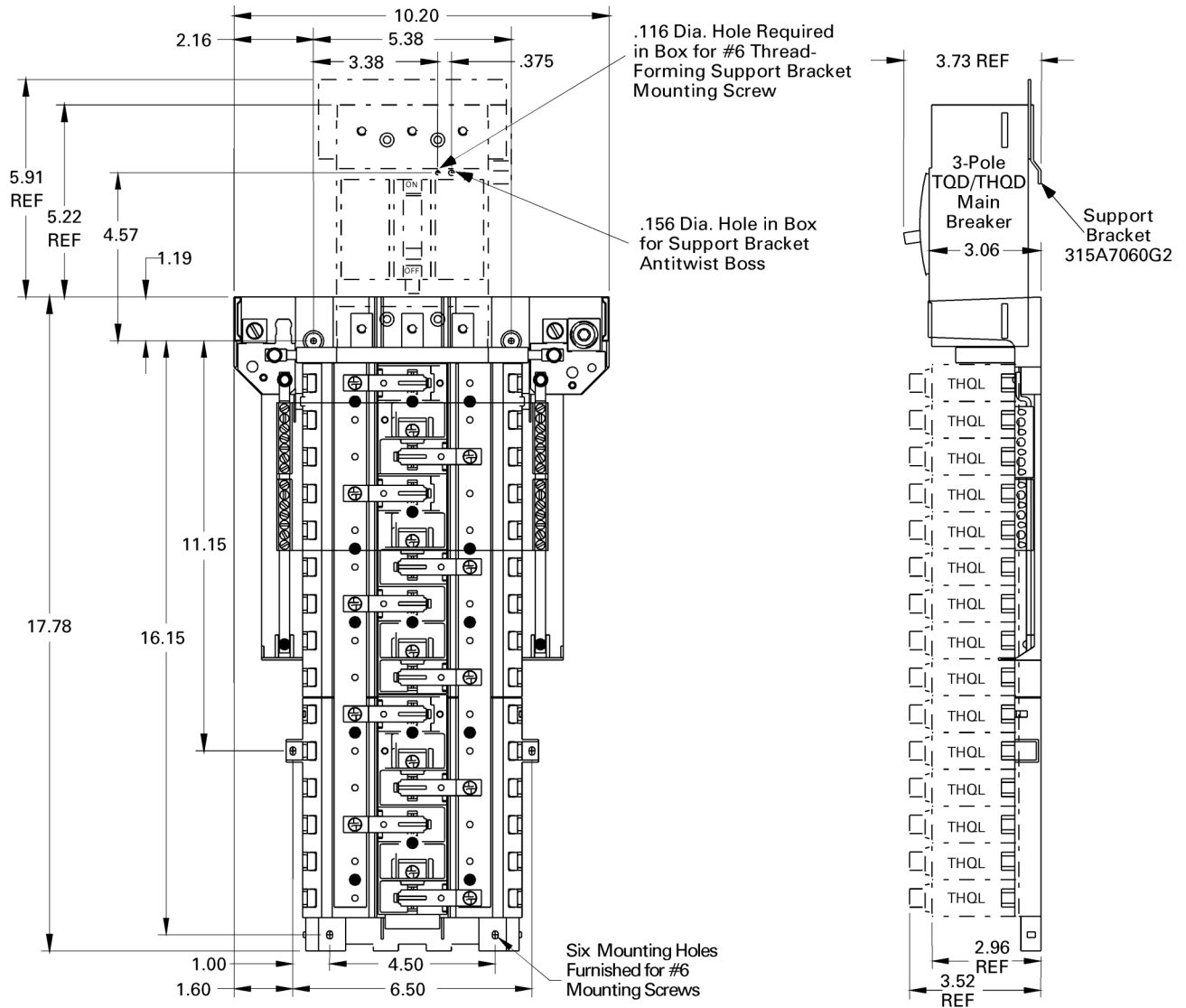
TM30DC3	Assembly, Front and Pan	1	1
139C5515P5	Door	1	1
192A6597P1	Hinge	3	1200
THDWRKIT	Front Mounting Screw Kit	20	20

## Box Assembly

LC3220BOX	Box Assembly	1	24
-----------	--------------	---	----

## Accessories

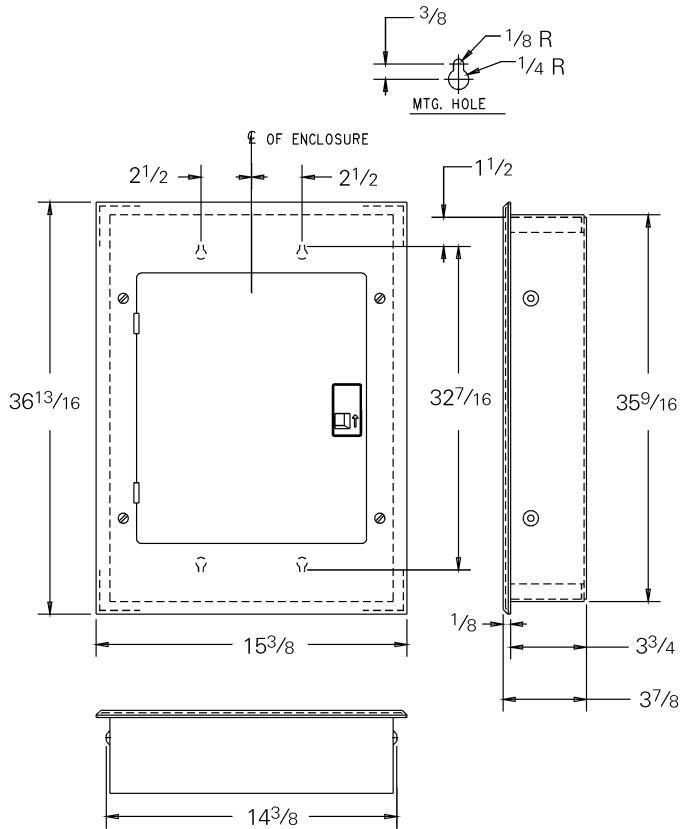
TBS	Bonding Screw Kit	1	1
TGK32	Equipment Ground Kit	1	1
THQD32200X2	Circuit Breaker, TQD225 Style	1	1
315A7060G2	ASM, Support Bracket, Breaker	1	200
N667CP12004B6	Screw, Support Bracket Mounting	1	200
N37P17042B6	Screw, Breaker Mounting to Bracket	1	200
192A6976P167	Screw, Breaker Load Connection	3	200



OEM interiors are UL-recognized components listed under UL file E21790.

Main Ampere Rating	Maximum Spaces			Total 1-Pole Spaces
	1" THQL			
	1-Pole	2-Pole	3-Pole	
200	30	14	10	30

Note: Main breaker and accessories not included with OEM interior; order separately.



### Equipment Ground Terminations

Solid, AWG	Stranded, AWG
14-4 Cu	14-4 Cu
12-10 Al	12-4 Al

### Neutral Terminations

Solid, AWG	Stranded, AWG
14-8 Cu	12-4 Cu
12-8 Al	12-4 Al

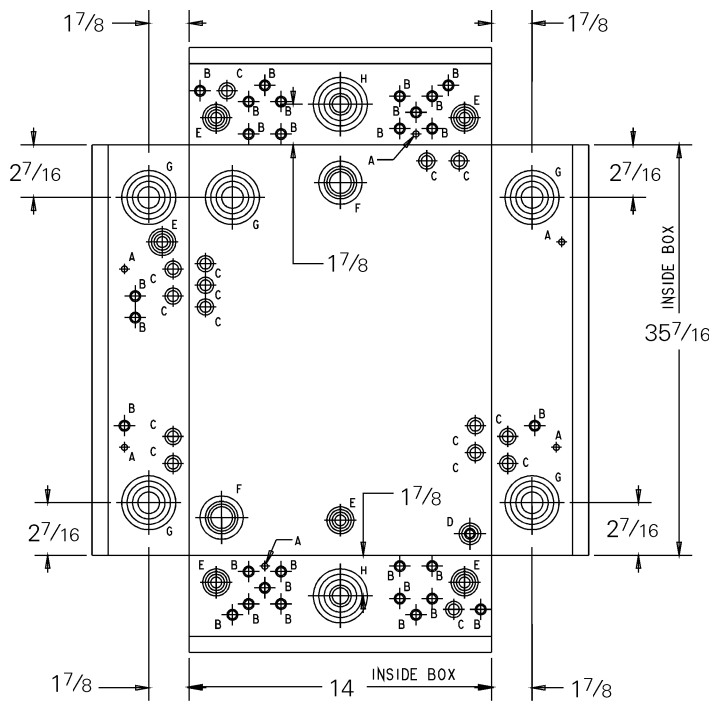
### Wire Sizes

Line	Neutral Lugs
1-250 MCM Cu, 2/0-250 MCM Al	6-2/0 Cu-Al

UL listed (Panelboards No. 67)

60° C and 75° C conductor rating.

22,000 amperes RMS symmetrical short-circuit rating.



### KNOCKOUT DIAGRAM

NOTE: ALL K.O. LOCATING DIMENSIONS ARE INSIDE OF BOX.

- A = 9/32 K.O.
- B = 3/8 X 1/2 K.O.
- C = 1/2 X 3/4 K.O.
- D = 3/8 X 1/2 X 3/4 X 1 K.O.
- E = 1/2 X 3/4 X 1 X 1 1/4 K.O.
- F = 1 X 1 1/4 X 1 1/2 X 2 K.O.
- G = 1 X 1 1/2 X 2 X 2 1/2 K.O.
- H = 3/4 X 1 X 1 1/4 X 1 1/2 X 2 X 2 1/2 K.O.

# GE OEM Load Center Parts Program

TM42420U

## Interior Assembly

Part Number	Description	Min. Qty.	Master Pack Qty.
TM42420U	Interior, 42 circuit, 3-phase, 200 A	1	10
THDWRKIT2	Interior Mounting Screw Kit	10	10

## Front Assembly

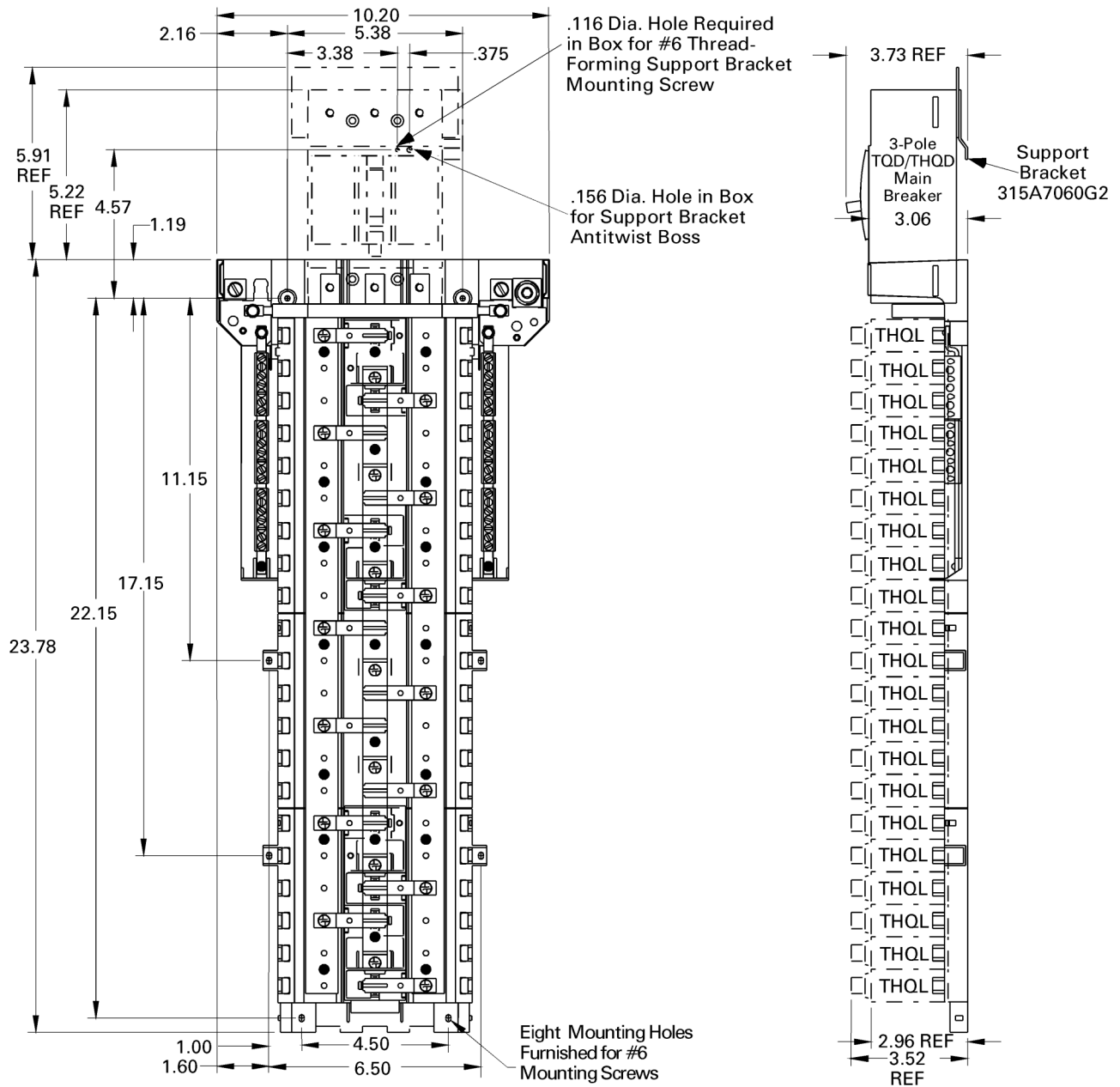
TM42EC3	Assembly, Front and Pan	1	1
139C5515P5	Door	1	1
192A6597P1	Hinge	3	1200
THDRWKIT	Front Mounting Screw Kit	20	20

## Box Assembly

LC4222BOX	Box Assembly	1	16
-----------	--------------	---	----

## Accessories

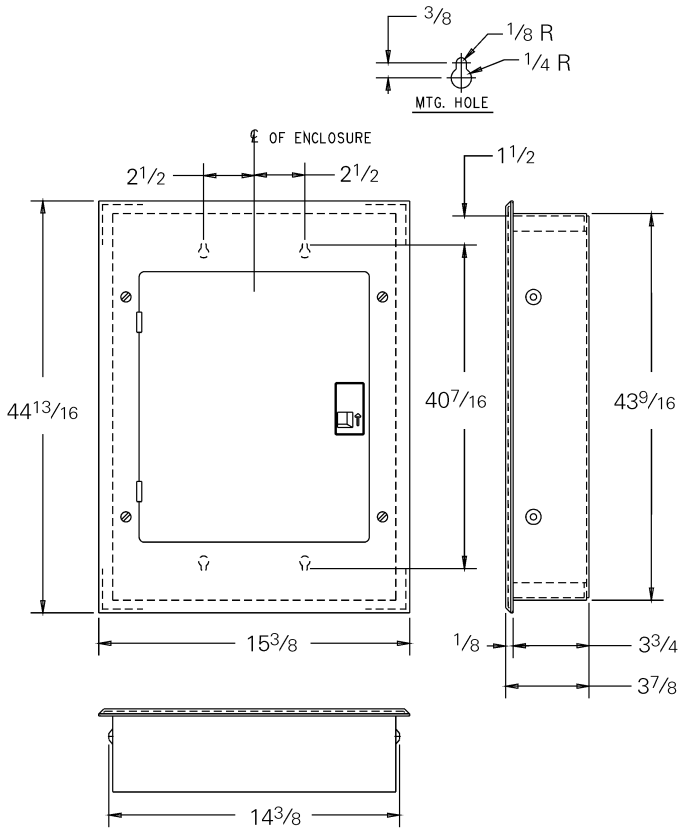
TBS	Bonding Screw Kit	1	1
TGK42	Equipment Ground Kit	1	1
THQD32200X2	Circuit Breaker, TQD225 Style	1	1
315A7060G2	ASM, Support Bracket, Breaker	1	200
N667CP12004B6	Screw, Support Bracket Mounting	1	200
N37P17042B6	Screw, Breaker Mounting to Bracket	1	200
192A6976P167	Screw, Breaker Load Connection	3	200



OEM interiors are UL-recognized components listed under UL file E21790.

Main Ampere Rating	Maximum Spaces			Total 1-Pole Spaces
	1-Pole	2-Pole	3-Pole	
200	42	20	14	42

Note: Main breaker and accessories not included with OEM interior; order separately.



### Equipment Ground Terminations

Solid, AWG	Stranded, AWG
14-4 Cu	14-4 Cu
12-10 Al	12-4 Al

### Neutral Terminations

Solid, AWG	Stranded, AWG
14-8 Cu	12-4 Cu
12-8 Al	12-4 Al

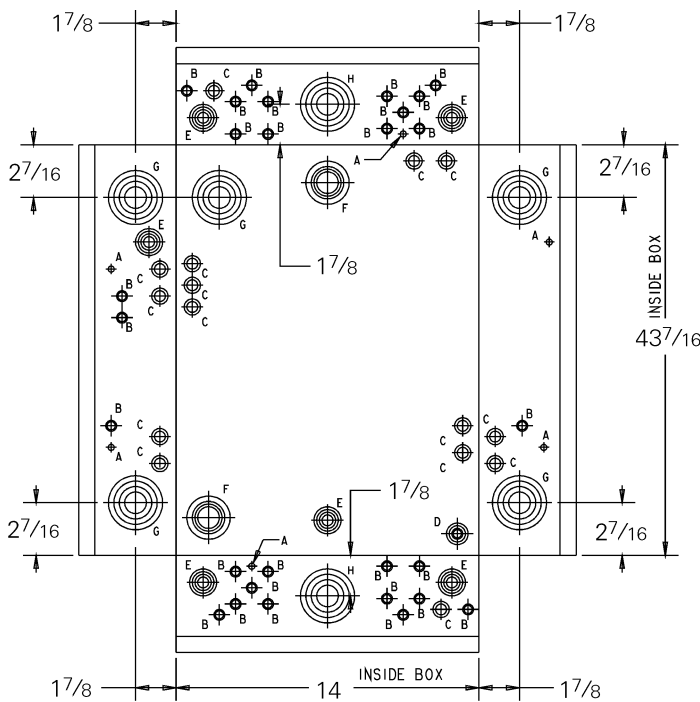
### Wire Sizes

Line	Neutral Lugs
1-250 MCM Cu, 2/0-250 MCM Al	6-2/0 Cu-Al

UL listed (Panelboards No. 67)

60° C and 75° C conductor rating.

22,000 amperes RMS symmetrical short-circuit rating.



### KNOCKOUT DIAGRAM

NOTE: ALL K.O. LOCATING DIMENSIONS ARE INSIDE OF BOX.

- A = 9/32 K.O.
- B = 3/8 X 1/2 K.O.
- C = 1/2 X 3/4 K.O.
- D = 3/8 X 1/2 X 3/4 X 1 K.O.
- E = 1/2 X 3/4 X 1 X 1 1/4 K.O.
- F = 1 X 1 1/4 X 1 1/2 X 2 K.O.
- G = 1 X 1 1/2 X 2 X 2 1/2 K.O.
- H = 3/4 X 1 X 1 1/4 X 1 1/2 X 2 1/2 K.O.

# GE OEM Load Center Parts Program

TM42422U

## Interior Assembly

Part Number	Description	Min. Qty.	Master Pack Qty.
TM42422U	Interior, 42 circuit, 3-phase, 225 A	1	10
THDWRKIT2	Interior Mounting Screw Kit	10	10

## Front Assembly

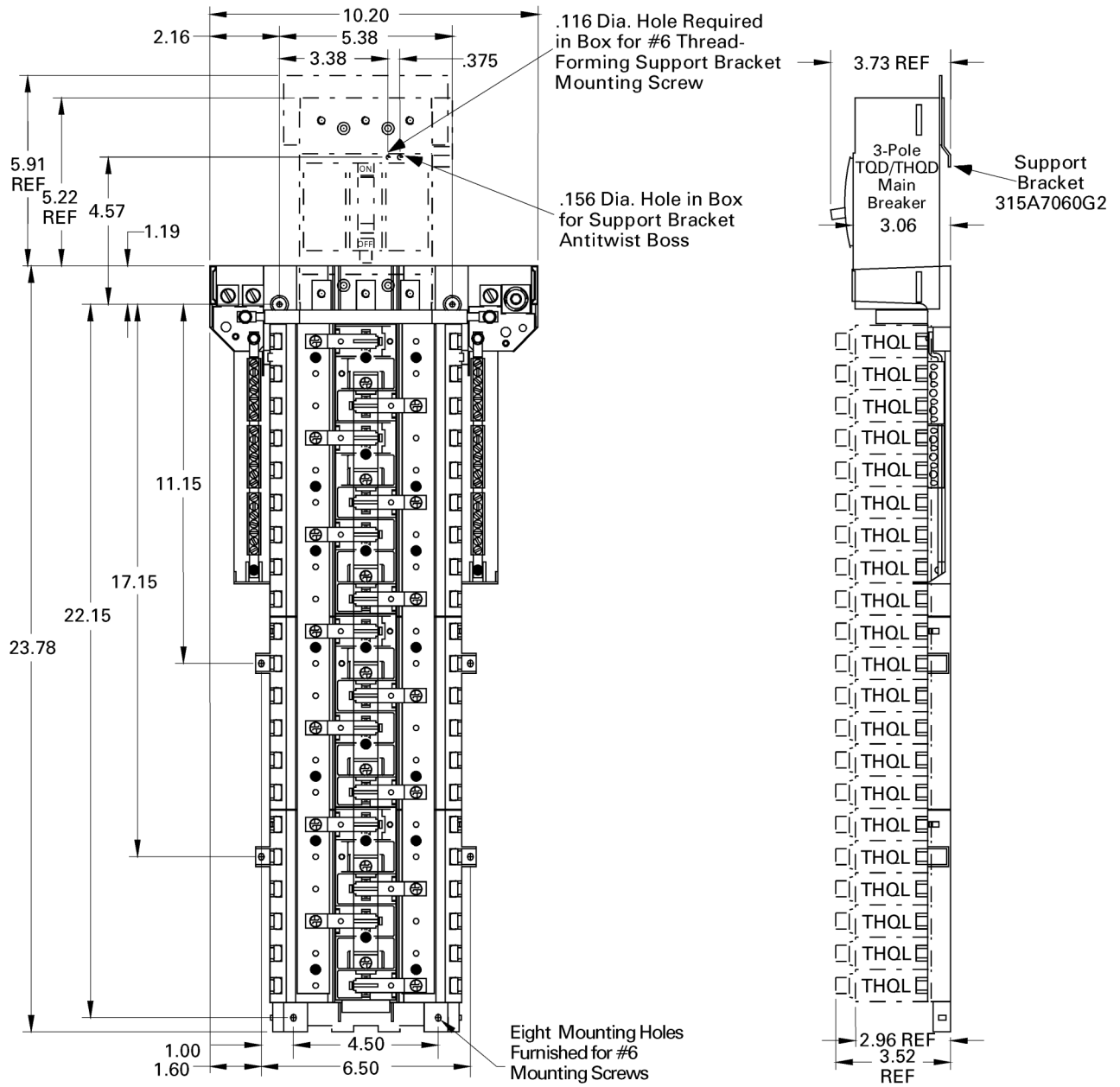
TM42BC3	Assembly, Front and Pan	1	1
139C5515P5	Door	1	1
192A6597P1	Hinge	3	1200
THDWRKIT	Front Mounting Screw Kit	20	20

## Box Assembly

LC30422BOX	Box Assembly	1	24
------------	--------------	---	----

## Accessories

TBS	Bonding Screw Kit	1	1
TGL2 (two)	Equipment Ground Kit	1	1
THQD32225X2	Circuit Breaker, TQD225 Style	1	1
315A7060G4	ASM, Support Bracket, Breaker	1	200
N667CP12004B6	Screw, Support Bracket Mounting	1	200
N37P17042B6	Screw, Breaker Mounting to Bracket	1	200
192A6976P167	Screw, Breaker Load Connection	3	200



OEM interiors are UL-recognized components listed under UL file E21790.

Main Ampere Rating	Maximum Spaces			Total 1-Pole Spaces
	1" THQL			
	1-Pole	2-Pole	3-Pole	
225	42	20	14	42

Note: Main breaker and accessories not included with OEM interior; order separately.



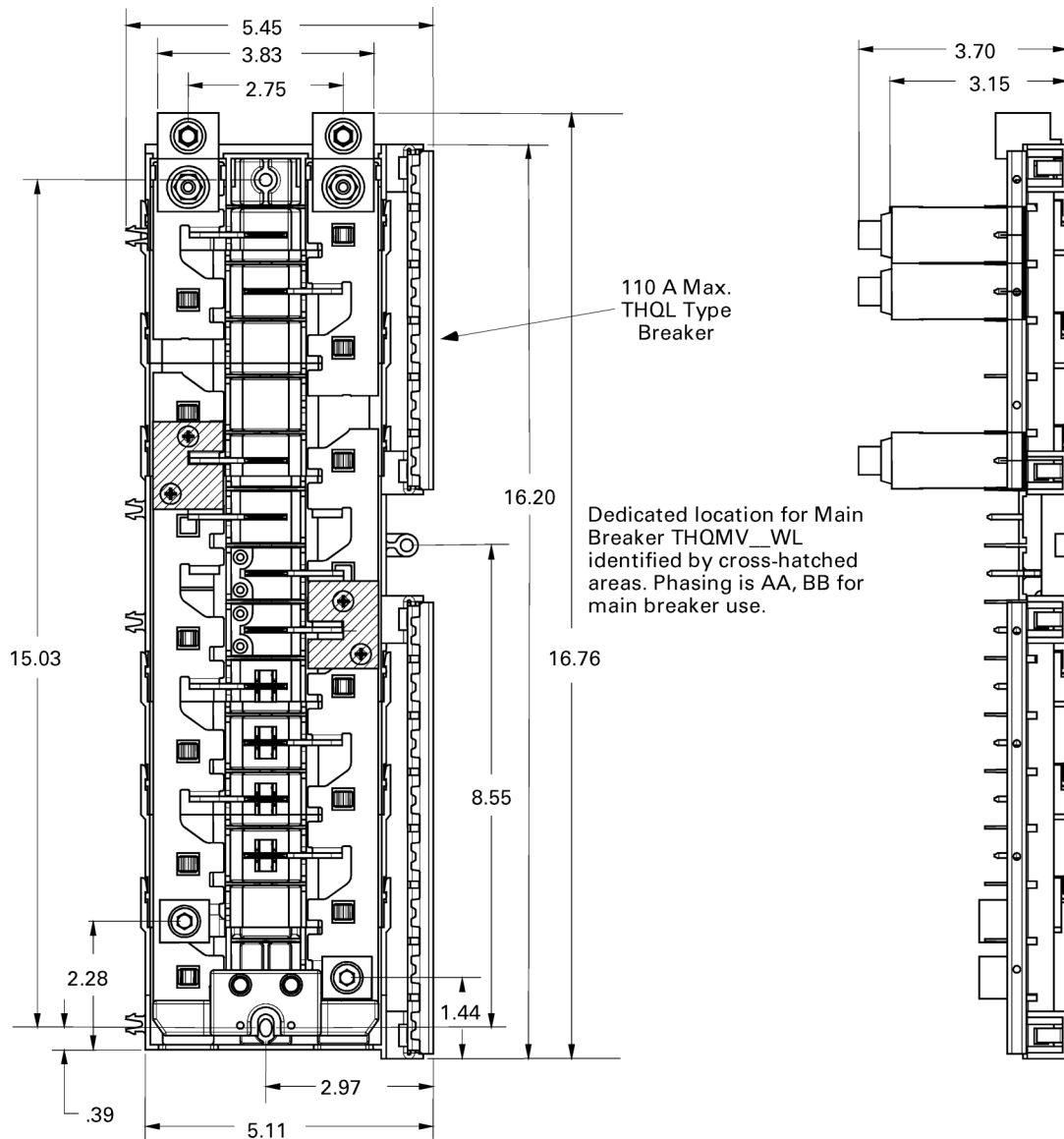


### Interior Assembly

Part Number	Description	Min. Qty.	Master Pack Qty.
TSF420U	Interior, 4 circuits 1" or 8 circuits 1/2", 1-phase, 200 A	1	10
THDWRKIT2	Interior Mounting Screw Kit	10	10
TSF420UN	Interior Without Neutral Assembly	1	10

### Accessories

TBS	Bonding Screw Kit	1	1
TGK12	Equipment Ground Kit	1	1
THQLRK1	Main Breaker Retaining Kit	1	1



OEM interiors are UL-recognized components listed under UL file E21790.

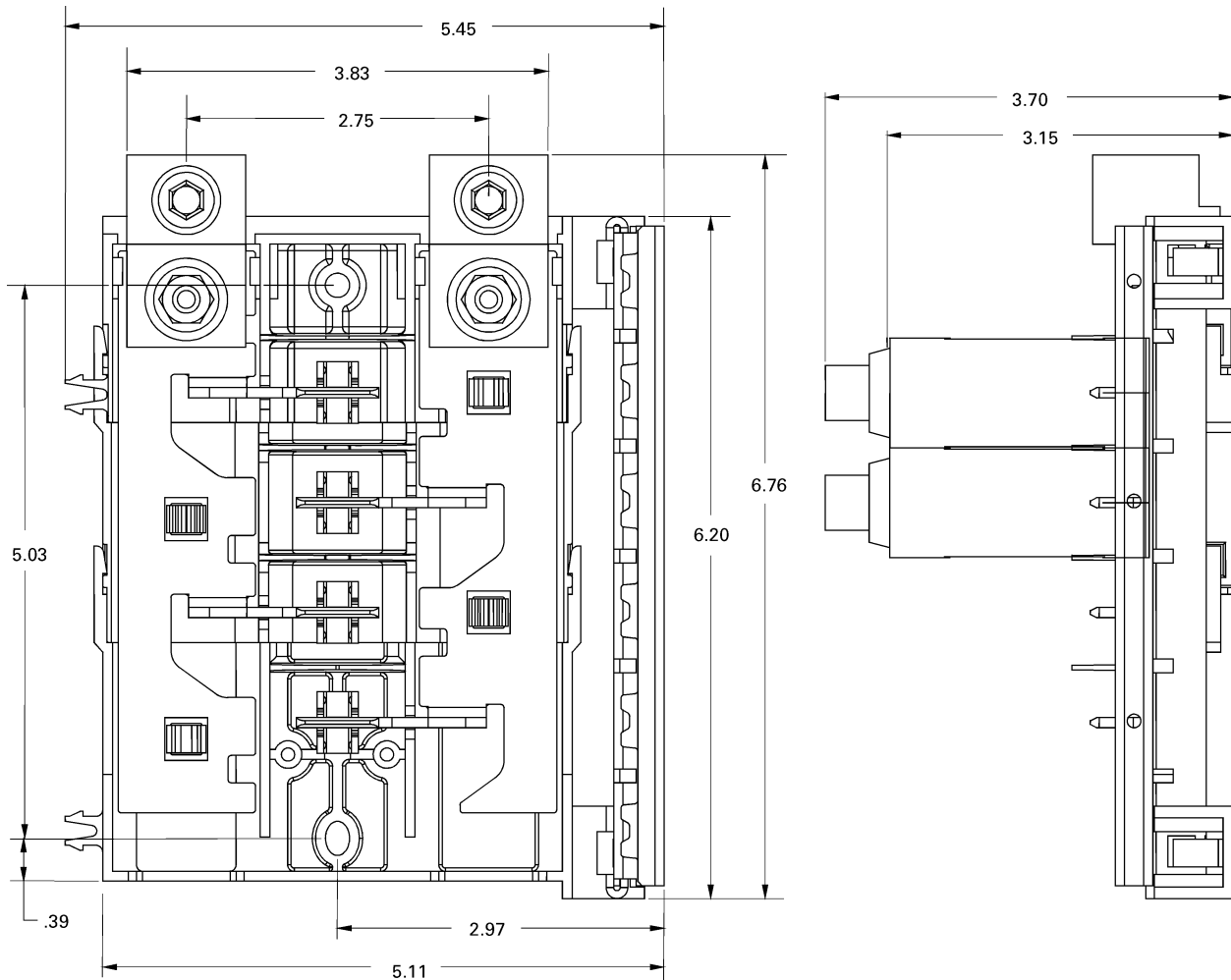
Main Ampere Rating	Maximum Spaces				Total 1-Pole Spaces
	1" THQL		1/2" THQL		
	1-Pole	2-Pole	1-Pole	2-Pole	
200	4	2	8	3	8

### Interior Assembly

Part Number	Description	Min. Qty.	Master Pack Qty.
TSLR420U	Interior, 4 circuits 1" or 8 circuits 1/2", 1-phase, 200 A (125 A for TSLR412CSCU)	1	10
THDWRKIT2	Interior Mounting Screw Kit	10	10
TSLR420UN	Interior Without Neutral Assembly	1	10

### Accessories

TBS	Bonding Screw Kit	1	1
TGK12	Equipment Ground Kit	1	1



OEM interiors are UL-recognized components listed under UL file E21790.

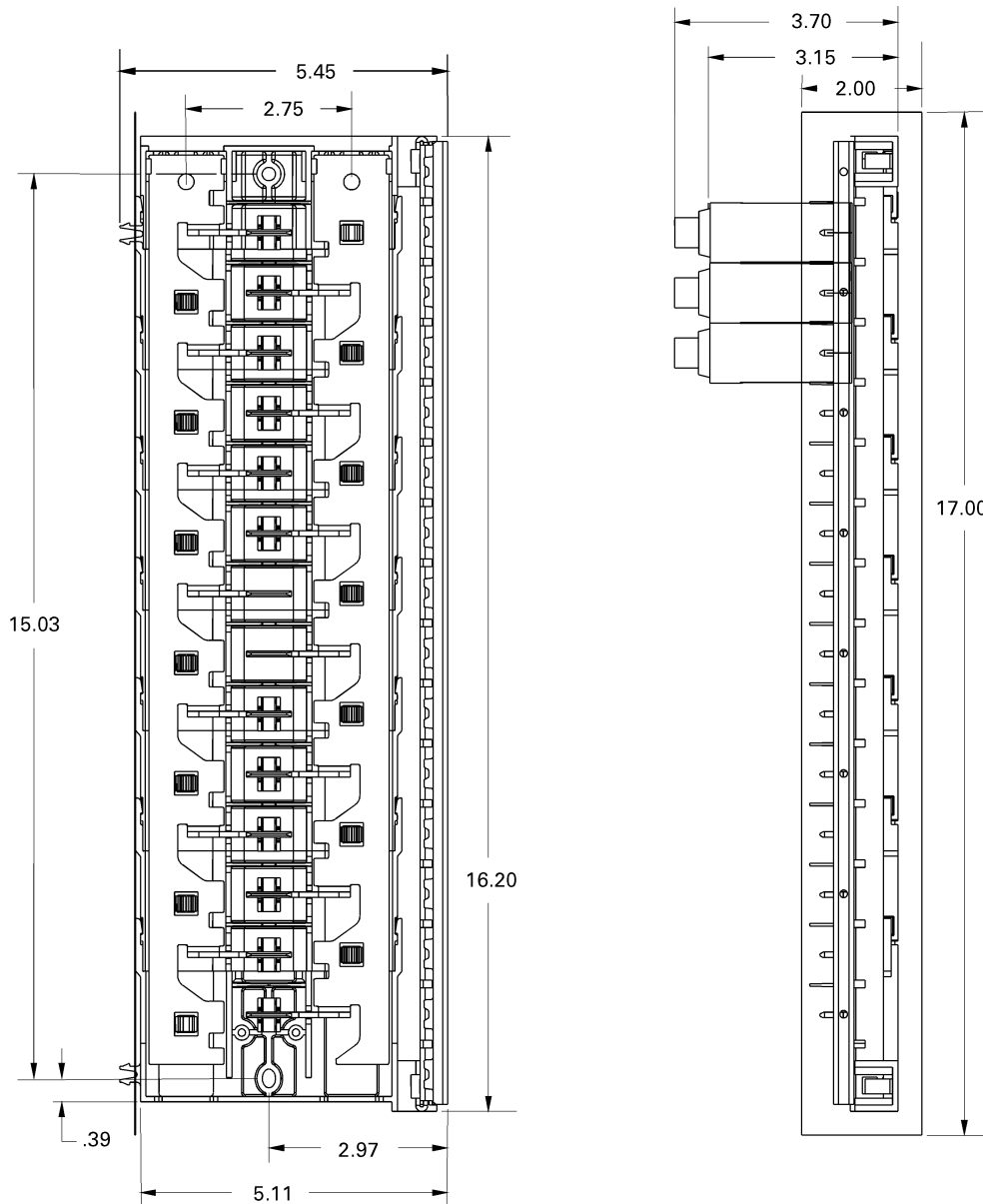
Main Ampere Rating	Maximum Spaces				Total 1-Pole Spaces
	1" THQL		1/2" THQL		
	1-Pole	2-Pole	1-Pole	2-Pole	
200	4	2	8	3	8

**Interior Assembly**

Part Number	Description	Min. Qty.	Master Pack Qty.
TSM1212U	Interior, 12 circuits 1" or 24 circuits 1/2", 1-phase, 125 A	1	10
THDWRKIT2	Interior Mounting Screw Kit	10	10
TSM1212UN	Interior Without Neutral Assembly	1	10

**Accessories**

TBS	Bonding Screw Kit	1	1
TGK12	Equipment Ground Kit	1	1



OEM interiors are UL-recognized components listed under UL file E21790.

Main Ampere Rating	Maximum Spaces				Total 1-Pole Spaces
	1" THQL		1/2" THQL		
	1-Pole	2-Pole	1-Pole	2-Pole	
125	12	6	24	10	24

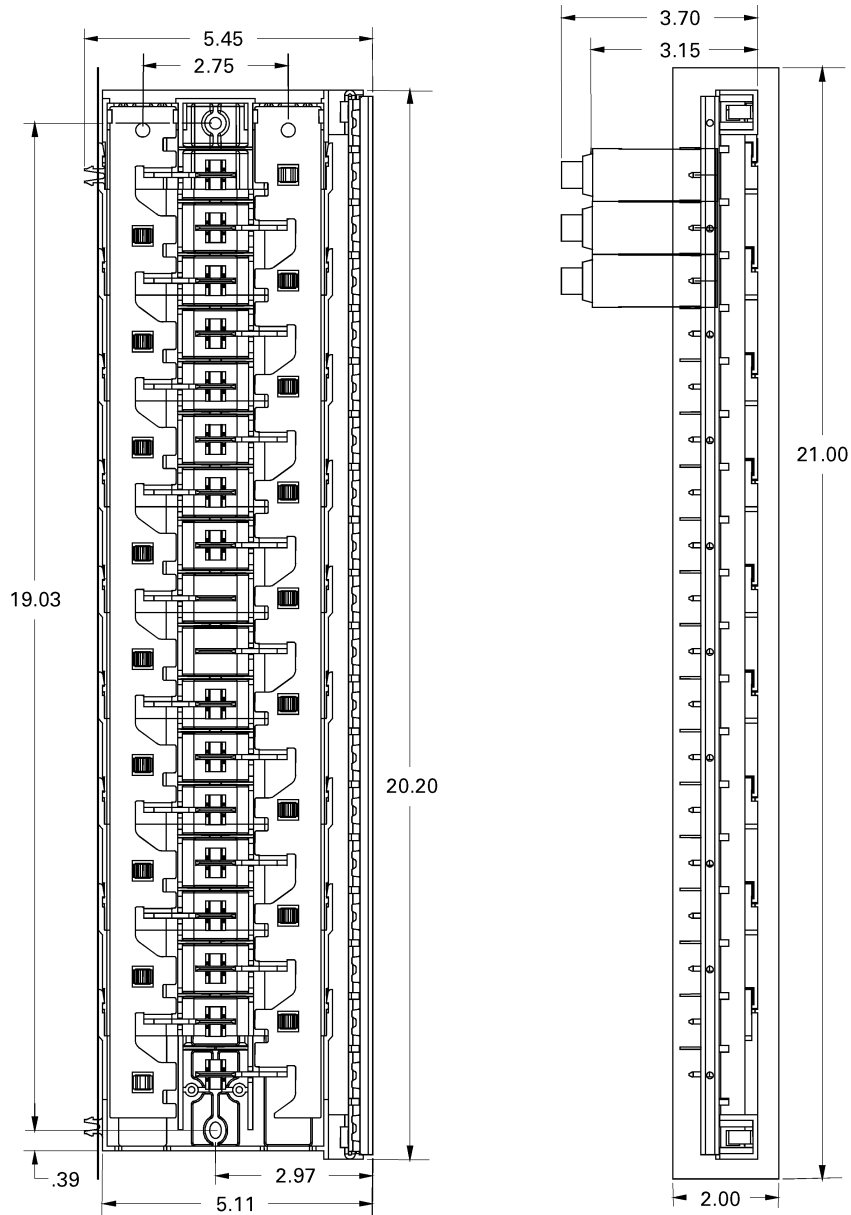
Note: Reverse-fed main breaker retainer not available.

### Interior Assembly

Part Number	Description	Min. Qty.	Master Pack Qty.
TSM1610U	Interior, 16 circuits 1" or 32 circuits 1/2", 1-phase, 100 A	1	10
THDWRKIT2	Interior Mounting Screw Kit	10	10
TSM1610UN	Interior Without Neutral Assembly	1	10

### Accessories

TBS	Bonding Screw Kit	1	1
TGK12	Equipment Ground Kit	1	1



OEM interiors are UL-recognized components listed under UL file E21790.

Main Ampere Rating	Maximum Spaces				Total 1-Pole Spaces
	1" THQL		1/2" THQL		
	1-Pole	2-Pole	1-Pole	2-Pole	
100	16	8	32	14	32

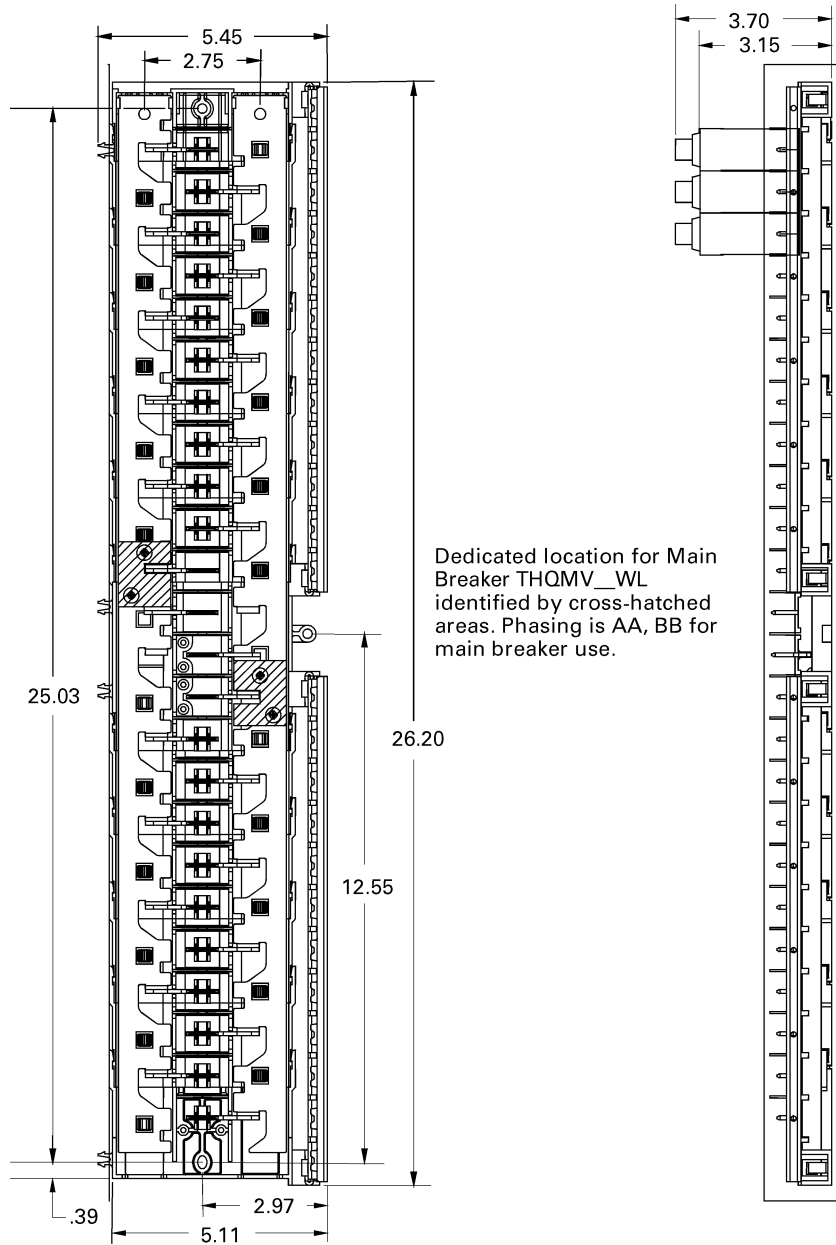
Note: Reverse-fed main breaker retainer not available.

### Interior Assembly

Part Number	Description	Min. Qty.	Master Pack Qty.
TSM2020U	Interior, 20 circuits 1" or 40 circuits 1/2", 1-phase, 200 A	1	10
THDWRKIT2	Interior Mounting Screw Kit	10	10
TSM2020UN	Interior Without Neutral Assembly	1	10

### Accessories

TBS	Bonding Screw Kit	1	1
TGK12	Equipment Ground Kit	1	1
THQLRK1	Main Breaker Retaining Kit	1	1



OEM interiors are UL-recognized components listed under UL file E21790.

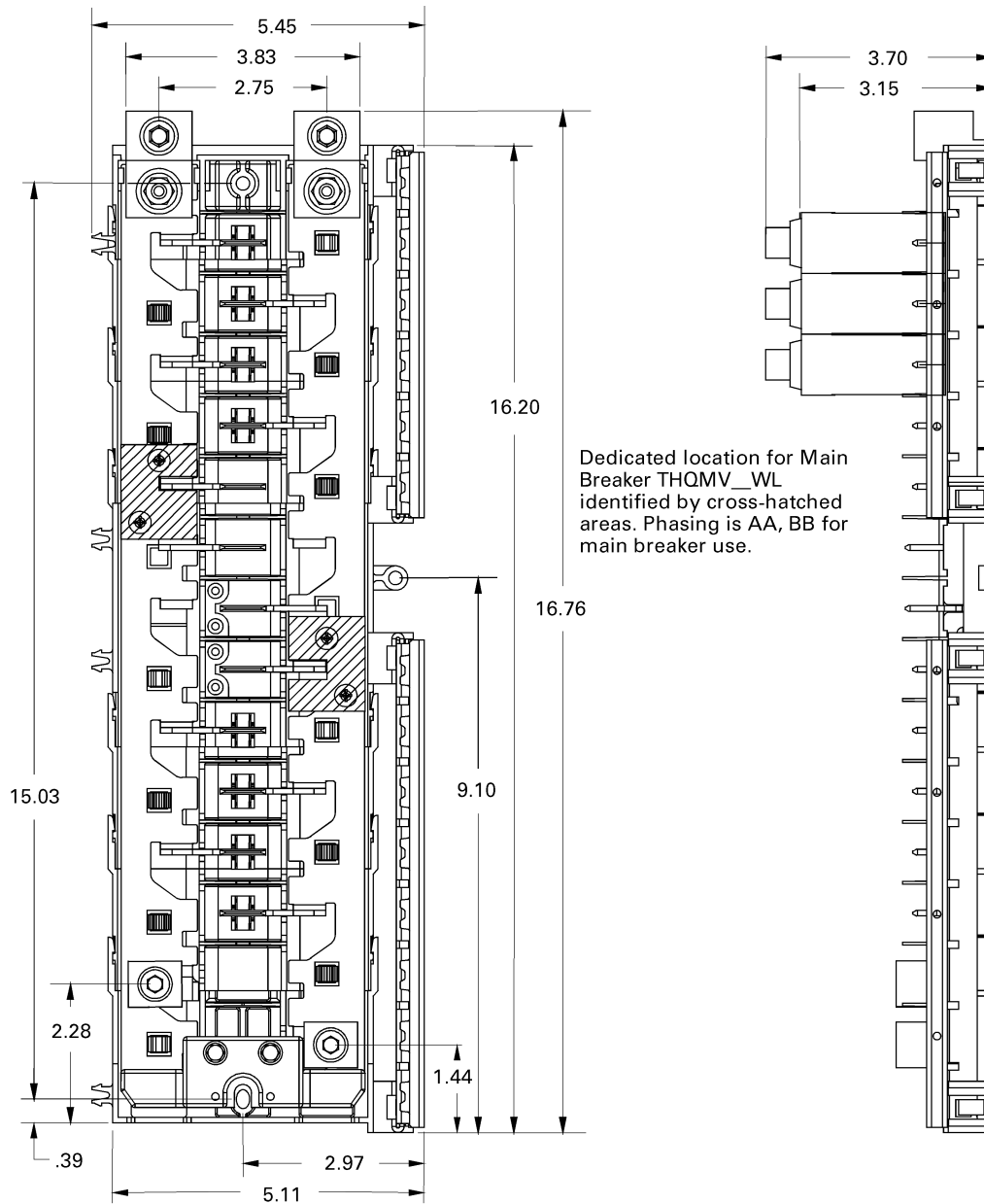
Main Ampere Rating	Maximum Spaces				Total 1-Pole Spaces
	1" THQL		1/2" THQL		
	1-Pole	2-Pole	1-Pole	2-Pole	
200	20	10	40	18	40

### Interior Assembly

Part Number	Description	Min. Qty.	Master Pack Qty.
TSM820U	Interior, 8 circuits 1" or 16 circuits 1/2", 1-phase, 200 A (150 A for TSM820CSCU)	1	10
THDWRKIT2	Interior Mounting Screw Kit	10	10
TSM820UN	Interior Without Neutral Assembly	1	10

### Accessories

TBS	Bonding Screw Kit	1	1
TGK12	Equipment Ground Kit	1	1
THQLRK1	Main Breaker Retaining Kit	1	1



OEM interiors are UL-recognized components listed under UL file E21790.

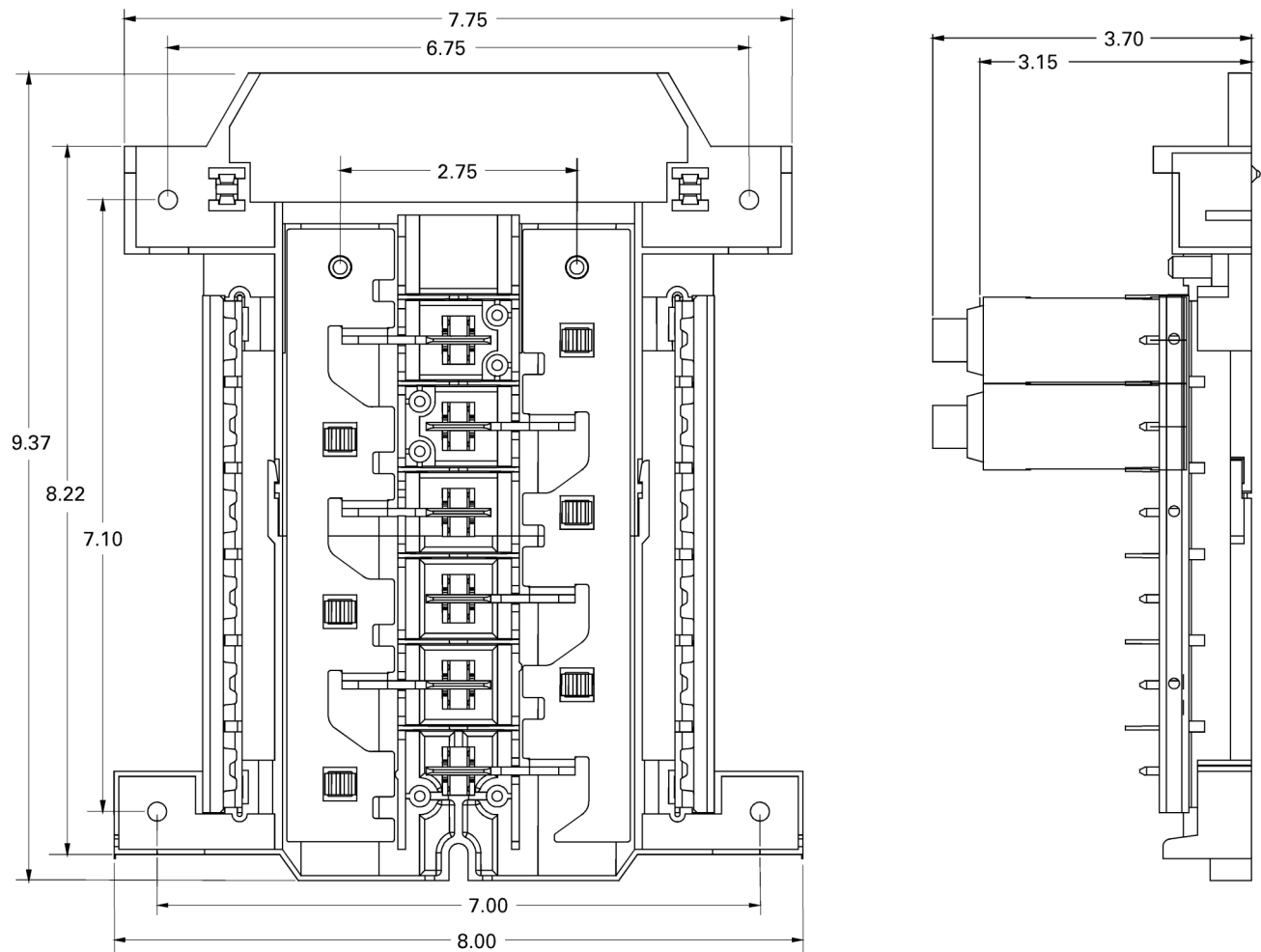
Main Ampere Rating	Maximum Spaces				Total 1-Pole Spaces
	1" THQL		1/2" THQL		
	1-Pole	2-Pole	1-Pole	2-Pole	
200	8	4	16	6	16

**Interior Assembly**

Part Number	Description	Min. Qty.	Master Pack Qty.
TSMR1212U	Interior, 12 circuits 1" or 24 circuits 1/2", 1-phase, 125 A	1	10
THDWRKIT2	Interior Mounting Screw Kit	10	10
TSMR1212UN	Interior Without Neutral Assembly	1	10

**Accessories**

TBS	Bonding Screw Kit	1	1
TGK12	Equipment Ground Kit	1	1
TQMH000	Main Breaker Mounting Kit	1	1
THQLKR1	Reverse-Fed Retaining Kit – Alternate	1	1



OEM interiors are UL-recognized components listed under UL file E21790.

Main Ampere Rating	Maximum Spaces				Total 1-Pole Spaces
	1" THQL		1/2" THQL		
	1-Pole	2-Pole	1-Pole	2-Pole	
125	12	6	24	10	24

For use with THQL, THHQL, or TXQL main breaker.

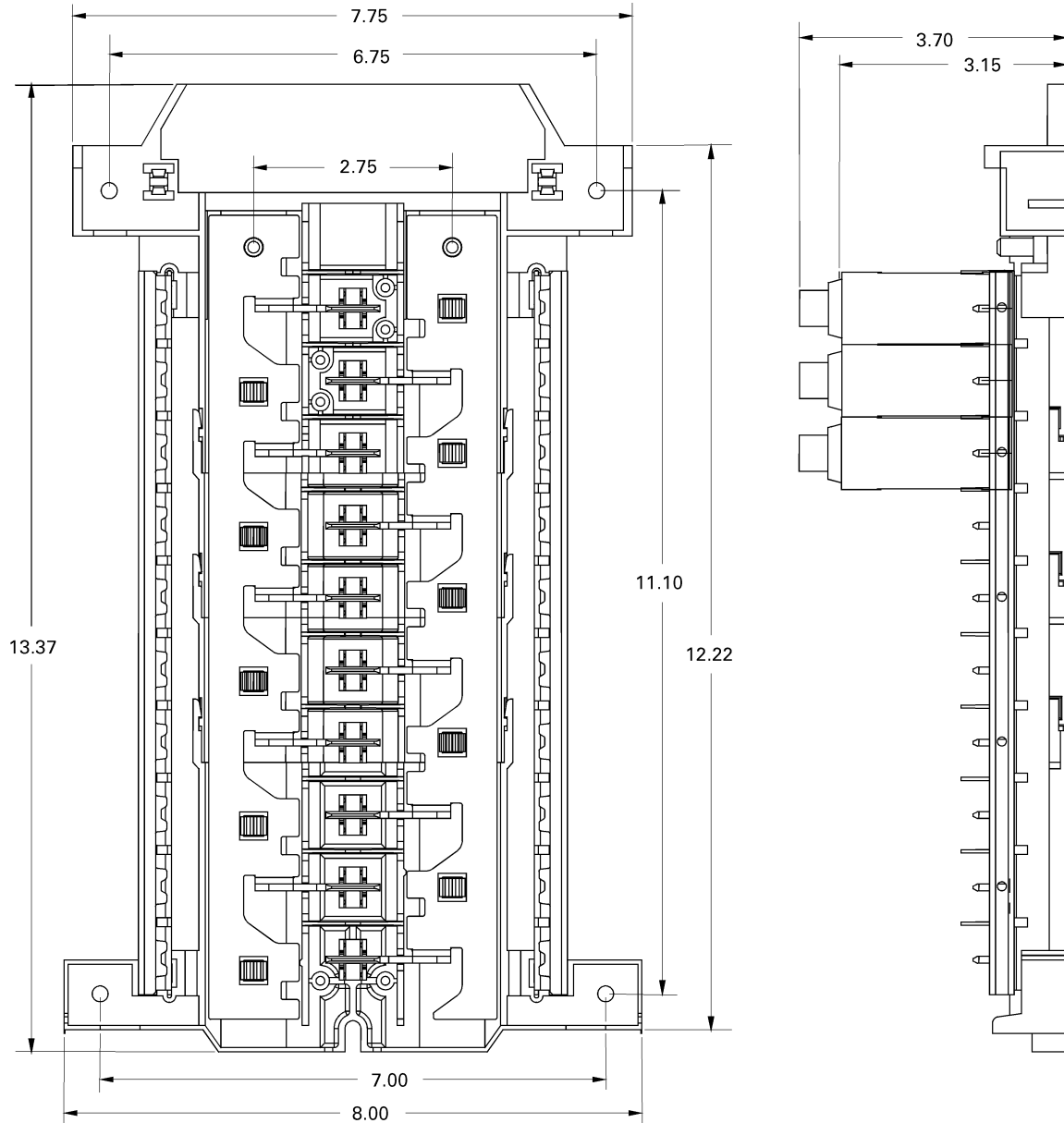


### Interior Assembly

Part Number	Description	Min. Qty.	Master Pack Qty.
TSMR2015U	Interior, 20 circuits 1" or 40 circuits 1/2", 1-phase, 150 A (200 A for TSMR2020CSCU)	1	10
THDWRKIT2	Interior Mounting Screw Kit	10	10
TSMR2015UN	Interior Without Neutral Assembly	1	10

### Accessories

TBS	Bonding Screw Kit	1	1
TGK12	Equipment Ground Kit	1	1



OEM interiors are UL-recognized components listed under UL file E21790.

Main Ampere Rating	Maximum Spaces				Total 1-Pole Spaces
	1" THQL		1/2" THQL		
	1-Pole	2-Pole	1-Pole	2-Pole	
200	20	10	40	18	40

For main breaker, order THQMV main breaker; includes mounting base. Reverse-fed main breaker available, 100 A max. rating, with THQLRK1 retaining kit.