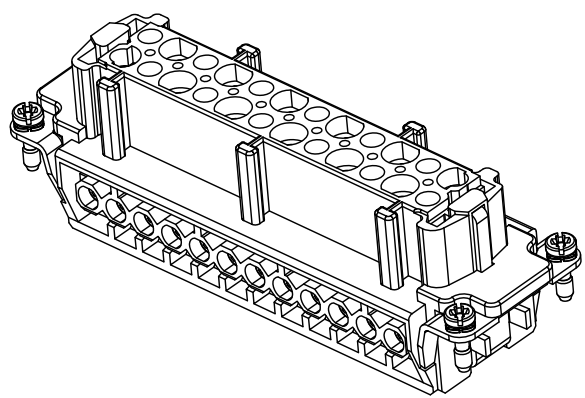
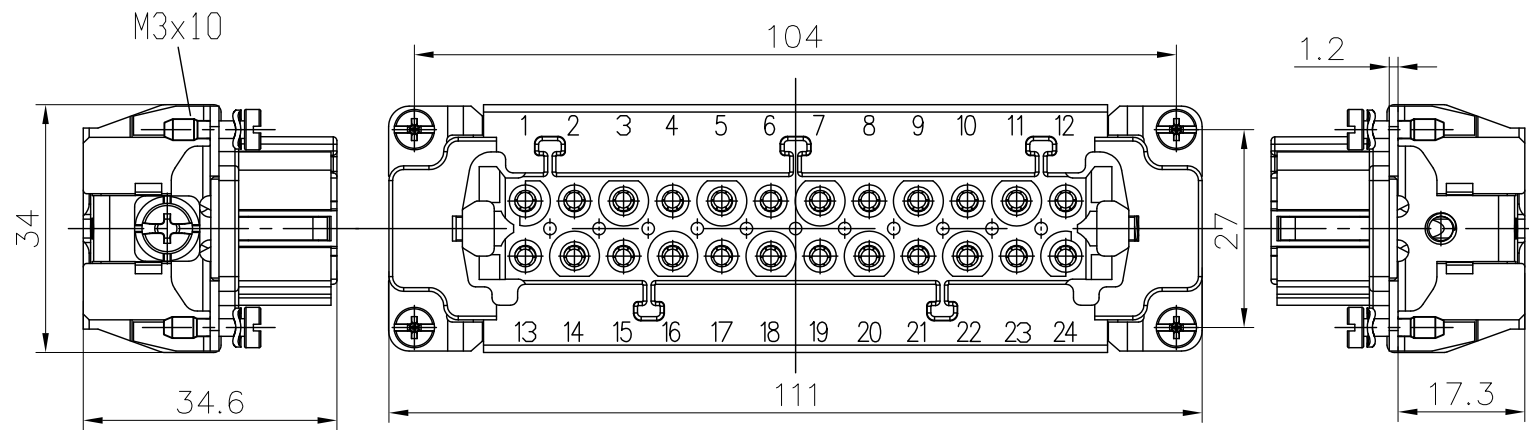


REVISION RECORD				
REV	ECN	DESCRIPTION	DRFT	DATE

H  
G  
F  
E  
D  
C  
B  
A

H  
G  
F  
E  
D  
C  
B  
A



Technical characteristics:

Specifications  
 DIN EN 60 664-1  
 DIN EN 61 984

- Inserts
- 01. Number of contacts :24+PE
  - 02. Rated Current :16A
  - 03. Rated Voltage :500V
  - 04. Pollution degree :3
  - 05. Rated impulse voltage :6kv
  - 06. Insulation resistance : $\geq 10^{10} \Omega$
  - 07. Material:Polycarbonate
  - 08. Rated voltage acc. to UL/CSA:600V
  - 09. Limiting temperatures : $-40^{\circ}\text{C} \sim +125^{\circ}\text{C}$
  - 10. Flammability acc. to UL94:V0
  - 11. Mechanical working life (mating cycles) : $\geq 500$

- Contacts
- 01. Material:Copper alloy
  - 02. Surface:hard-silver plated
  - 03. Contact resistance : $\leq 1\text{m}\Omega$
  - 04. Terminal :Screw terminal
  - 05. Wire gauge :1.0-2.5mm<sup>2</sup> (AWG 18-14)
  - 06. Tightening torque :0.5Nm
  - 07. Stripping length :7.5mm
  - 08. Rohs Compliance

DETACHED LISTS	PART NO.:	/		
	APPD:	NAME: <b>DEGSON</b> ® NINGBO DEGSON ELECTRICAL CO., LTD		
	CHKD:	DE-024-F		
	DRFT: Mr.Yang 2016.08.08	TITLE: CUSTOMER DRAWING	REV	DO
 THIRD ANGLE PROJECTION		DRAWING NO.:	/	SHEET 1/1
 MM (INCH) DO NOT SCALE DRAWING		SCALE	1:1	