

Redline ED.03

Modular DIN-rail devices
and residential enclosures

Just feel protected



GE imagination at work



Miniature Circuit Breakers

G60

IEC 60898 6000
3
IEC 60947-2 **10kA**

Special executions G60S for Shipping application in separate document.

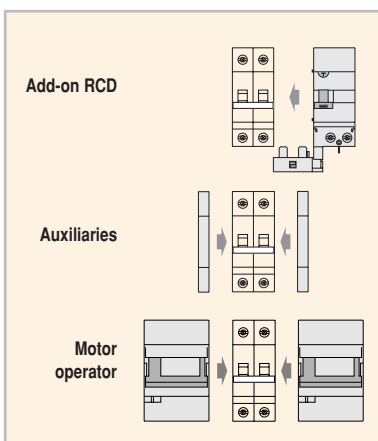
Applications



Approval / Marking



Add-on devices



- Add-on RCD ● pg B.14
- Auxiliary contacts ● pg C.4
- Shunt trip ● pg C.6
- Undervoltage release ● pg C.6
- Panel board switch ● pg C.6
- Motor operator ● pg C.8

- Accessories ● pg A.39
- Busbars ● pg E.1
- More technical data ● website
- Dimensions ● pg A.40

Performances

| | |
|---|-----------------|
| Thermal setting I_n | (A) 2-63 |
| Rated voltage AC U_n | (V) 240/415 |
| Minimum operating voltage U_{B min} | (V) 12 |
| Tripping characteristics | B-C-D |
| Selectivity class | 3 |
| Mechanical/electrical endurance | 20000/10000 |
| Tropicalisation acc.to IEC 60068-2 | 95%RH at 55°C |
| Terminal capacity flexible/rigid cable(mm²) | 25-35 |
| Poles | 1, 1+N, 2, 3, 4 |
| Weight | (g/pole) 120 |

Short-circuit capacity

AC acc. to IEC 60898

| Poles | V | I _{cn} /I _{cs} (kA) |
|-------|---------|---------------------------------------|
| 1-4 | 230/400 | 6 |

AC acc. to IEC 60947-2

| Poles | V | I _{cu} (kA)* |
|--------|-----|-----------------------|
| 1 | 240 | 10 |
| 1+N, 2 | 127 | 30 |
| | 240 | 20 |
| 2 | 415 | 10 |
| 3, 4 | 240 | 20 |
| | 415 | 10 |

*I_{cs} = 75% I_{cu}

DC acc. to IEC 60947-2

| Poles | V | I _{cu} /I _{cs} (kA) |
|-------|-----|---------------------------------------|
| 1 | 60 | 20 |
| 2 | 125 | 25 |

**Nominal and Maximum VDC on page A.4-A.5

Series G60 - 6kA - characteristics B-C-D



1P
1 mod.



| In (A) | B | | C | | D | | Pack. |
|--------|----------|----------|----------|----------|----------|----------|-------|
| | Cat. No. | Ref. No. | Cat. No. | Ref. No. | Cat. No. | Ref. No. | |
| 2 | | | G61C02 | 674598 | G61D02 | 674760 | 12 |
| 4 | | | G61C04 | 674600 | G61D04 | 674762 | 12 |
| 6 | G61B06 | 674692 | G61C06 | 674601 | G61D06 | 674763 | 12 |
| 10 | G61B10 | 674694 | G61C10 | 674603 | G61D10 | 674765 | 12 |
| 16 | G61B16 | 674696 | G61C16 | 674605 | G61D16 | 674767 | 12 |
| 20 | G61B20 | 674697 | G61C20 | 674606 | G61D20 | 674768 | 12 |
| 25 | G61B25 | 674698 | G61C25 | 674607 | G61D25 | 674769 | 12 |
| 32 | G61B32 | 674699 | G61C32 | 674608 | G61D32 | 674770 | 12 |
| 40 | G61B40 | 674700 | G61C40 | 674609 | G61D40 | 674771 | 12 |
| 50 | G61B50 | 674701 | G61C50 | 674610 | G61D50 | 674772 | 12 |
| 63 | G61B63 | 674702 | G61C63 | 674611 | G61D63 | 674773 | 12 |



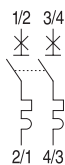
1P+N
2 mod.



| | | | | | | | |
|----|---------|--------|---------|--------|---------|--------|---|
| 2 | | | G61NC02 | 674614 | G61ND02 | 674776 | 6 |
| 4 | | | G61NC04 | 674616 | G61ND04 | 674778 | 6 |
| 6 | G61NB06 | 674703 | G61NC06 | 674617 | G61ND06 | 674779 | 6 |
| 10 | G61NB10 | 674705 | G61NC10 | 674619 | G61ND10 | 674781 | 6 |
| 16 | G61NB16 | 674707 | G61NC16 | 674621 | G61ND16 | 674783 | 6 |
| 20 | G61NB20 | 674708 | G61NC20 | 674622 | G61ND20 | 674784 | 6 |
| 25 | G61NB25 | 674709 | G61NC25 | 674623 | G61ND25 | 674785 | 6 |
| 32 | G61NB32 | 674710 | G61NC32 | 674624 | G61ND32 | 674786 | 6 |
| 40 | G61NB40 | 674711 | G61NC40 | 674625 | G61ND40 | 674787 | 6 |
| 50 | G61NB50 | 674712 | G61NC50 | 674626 | G61ND50 | 674788 | 6 |
| 63 | G61NB63 | 674713 | G61NC63 | 674627 | G61ND63 | 674789 | 6 |



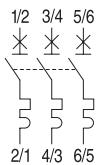
2P
2 mod.



| | | | | | | | |
|----|--------|--------|--------|--------|--------|--------|---|
| 2 | | | G62C02 | 674630 | G62D02 | 674792 | 6 |
| 4 | | | G62C04 | 674632 | G62D04 | 674794 | 6 |
| 6 | G62B06 | 674714 | G62C06 | 674633 | G62D06 | 674795 | 6 |
| 10 | G62B10 | 674716 | G62C10 | 674635 | G62D10 | 674797 | 6 |
| 16 | G62B16 | 674718 | G62C16 | 674637 | G62D16 | 674799 | 6 |
| 20 | G62B20 | 674719 | G62C20 | 674638 | G62D20 | 674800 | 6 |
| 25 | G62B25 | 674720 | G62C25 | 674639 | G62D25 | 674801 | 6 |
| 32 | G62B32 | 674721 | G62C32 | 674640 | G62D32 | 674802 | 6 |
| 40 | G62B40 | 674722 | G62C40 | 674641 | G62D40 | 674803 | 6 |
| 50 | G62B50 | 674723 | G62C50 | 674642 | G62D50 | 674804 | 6 |
| 63 | G62B63 | 674724 | G62C63 | 674643 | G62D63 | 674805 | 6 |



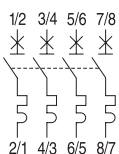
3P
3 mod.



| | | | | | | | |
|----|--------|--------|--------|--------|--------|--------|---|
| 2 | | | G63C02 | 674646 | G63D02 | 674808 | 4 |
| 4 | | | G63C04 | 674648 | G63D04 | 674810 | 4 |
| 6 | G63B06 | 674725 | G63C06 | 674649 | G63D06 | 674811 | 4 |
| 10 | G63B10 | 674727 | G63C10 | 674651 | G63D10 | 674813 | 4 |
| 16 | G63B16 | 674729 | G63C16 | 674653 | G63D16 | 674815 | 4 |
| 20 | G63B20 | 674730 | G63C20 | 674654 | G63D20 | 674816 | 4 |
| 25 | G63B25 | 674731 | G63C25 | 674655 | G63D25 | 674817 | 4 |
| 32 | G63B32 | 674732 | G63C32 | 674656 | G63D32 | 674818 | 4 |
| 40 | G63B40 | 674733 | G63C40 | 674657 | G63D40 | 674819 | 4 |
| 50 | G63B50 | 674734 | G63C50 | 674658 | G63D50 | 674820 | 4 |
| 63 | G63B63 | 674735 | G63C63 | 674659 | G63D63 | 674821 | 4 |

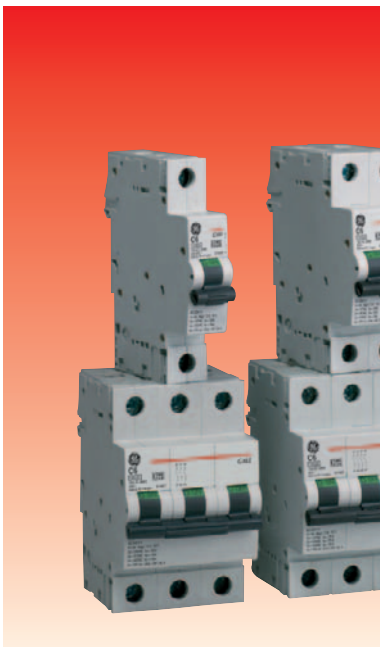


4P
4 mod.



| | | | | | | | |
|-----|--------|--------|---------|--------|--------|--------|---|
| 0.5 | | | G64C0.5 | 674660 | | | 3 |
| 2 | | | G64C02 | 674662 | G64D02 | 674824 | 3 |
| 4 | | | G64C04 | 674664 | G64D04 | 674826 | 3 |
| 6 | G64B06 | 674736 | G64C06 | 674665 | G64D06 | 674827 | 3 |
| 10 | G64B10 | 674738 | G64C10 | 674667 | G64D10 | 674829 | 3 |
| 16 | G64B16 | 674740 | G64C16 | 674669 | G64D16 | 674831 | 3 |
| 20 | G64B20 | 674741 | G64C20 | 674670 | G64D20 | 674832 | 3 |
| 25 | G64B25 | 674742 | G64C25 | 674671 | G64D25 | 674833 | 3 |
| 32 | G64B32 | 674743 | G64C32 | 674672 | G64D32 | 674834 | 3 |
| 40 | G64B40 | 674744 | G64C40 | 674673 | G64D40 | 674835 | 3 |
| 50 | G64B50 | 674745 | G64C50 | 674674 | G64D50 | 674836 | 3 |
| 63 | G64B63 | 674746 | G64C63 | 674675 | G64D63 | 674837 | 3 |





Miniature Circuit Breakers

G100

IEC 60898 10000
3
IEC 60947-2 15kA

Special executions G100S for Shipping application and EP100R for Railways application in separate document.

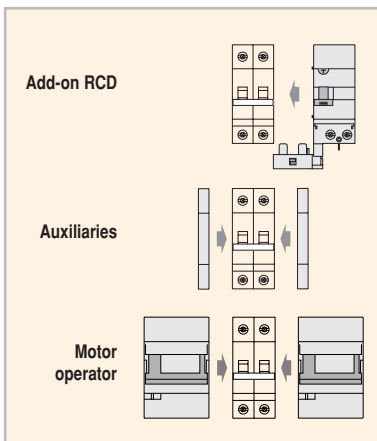
Applications



Approval / Marking



Add-on devices



- Add-on RCD ● pg B.14
- Auxiliary contacts ● pg C.4
- Shunt trip ● pg C.6
- Undervoltage release ● pg C.6
- Panel board switch ● pg C.6
- Motor operator ● pg C.8

- Accessories ● pg A.39
- Busbars ● pg E.1
- More technical data ● website
- Dimensions ● pg A.40

Performances

| | |
|---|-----------------|
| Thermal setting I_n | (A) 0.5-63 |
| Rated voltage AC U_n | (V) 240/415 |
| Minimum operating voltage U_{B min} | (V) 12 |
| Tripping characteristics | B-C-D |
| Selectivity class | 3 |
| Mechanical/electrical endurance | 20000/10000 |
| Tropicalisation acc.to IEC 60068-2 | 95%RH at 55°C |
| Terminal capacity flexible/rigid cable(mm²) | 25-35 |
| Poles | 1, 1+N, 2, 3, 4 |
| Weight | (g/pole) 120 |

Short-circuit capacity

AC acc. to IEC 60898

| Poles | V | I _{cn} (kA)* |
|-------|---------|-----------------------|
| 1-4 | 230/400 | 10 |

*I_{cs} = 75% I_{cu}

AC acc. to IEC 60947-2

| Poles | V | I _{cu} (kA)* |
|--------|-----|-----------------------|
| 1 | 240 | 15 |
| 1+N, 2 | 127 | 40 |
| | 240 | 30 |
| 2 | 415 | 15 |
| 3, 4 | 240 | 30 |
| | 415 | 15 |

*I_{cs} = 50% I_{cu}

DC acc. to IEC 60947-2

| Poles | V = ** | I _{cu} /I _{cs} (kA) |
|-------|--------|---------------------------------------|
| 1 | 60 | 25 |
| 2 | 125 | 30 |

**Nominal and Maximum VDC on page A.4-A.5

Series G100 - 10kA - characteristics B-C-D



1P
1 mod.



| In (A) | B | | C | | D | | Pack. |
|--------|----------|----------|----------|----------|----------|----------|-------|
| | Cat. No. | Ref. No. | Cat. No. | Ref. No. | Cat. No. | Ref. No. | |
| 0.5 | | | G101C0.5 | 674854 | G101D0.5 | 675016 | 12 |
| 1 | | | G101C01 | 674855 | G101D01 | 675017 | 12 |
| 2 | | | G101C02 | 674856 | G101D02 | 675018 | 12 |
| 3 | | | G101C03 | 674857 | G101D03 | 675019 | 12 |
| 4 | | | G101C04 | 674858 | G101D04 | 675020 | 12 |
| 6 | G101B06 | 674950 | G101C06 | 674859 | G101D06 | 675021 | 12 |
| 10 | G101B10 | 674952 | G101C10 | 674861 | G101D10 | 675023 | 12 |
| 13 | G101B13 | 674953 | G101C13 | 674862 | G101D13 | 675024 | 12 |
| 16 | G101B16 | 674954 | G101C16 | 674863 | G101D16 | 675025 | 12 |
| 20 | G101B20 | 674955 | G101C20 | 674864 | G101D20 | 675026 | 12 |
| 25 | G101B25 | 674956 | G101C25 | 674865 | G101D25 | 675027 | 12 |
| 32 | G101B32 | 674957 | G101C32 | 674866 | G101D32 | 675028 | 12 |
| 40 | G101B40 | 674958 | G101C40 | 674867 | G101D40 | 675029 | 12 |
| 50 | G101B50 | 674959 | G101C50 | 674868 | G101D50 | 675030 | 12 |
| 63 | G101B63 | 674960 | G101C63 | 674869 | G101D63 | 675031 | 12 |



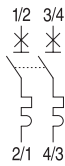
1P+N
2 mod.



| | | | | | | | |
|-----|----------|--------|----------|--------|-----------|--------|---|
| 0.5 | | | | | G101ND0.5 | 675032 | 6 |
| 1 | | | | | G101ND01 | 675033 | 6 |
| 2 | | | G101NC02 | 674872 | G101ND02 | 675034 | 6 |
| 3 | | | G101NC03 | 674873 | G101ND03 | 675035 | 6 |
| 4 | | | G101NC04 | 674874 | G101ND04 | 675036 | 6 |
| 6 | G101NB06 | 674961 | G101NC06 | 674875 | G101ND06 | 675037 | 6 |
| 10 | G101NB10 | 674963 | G101NC10 | 674877 | G101ND10 | 675039 | 6 |
| 13 | G101NB13 | 674964 | G101NC13 | 674878 | G101ND13 | 675040 | 6 |
| 16 | G101NB16 | 674965 | G101NC16 | 674879 | G101ND16 | 675041 | 6 |
| 20 | G101NB20 | 674966 | G101NC20 | 674880 | G101ND20 | 675042 | 6 |
| 25 | G101NB25 | 674967 | G101NC25 | 674881 | G101ND25 | 675043 | 6 |
| 32 | G101NB32 | 674968 | G101NC32 | 674882 | G101ND32 | 675044 | 6 |
| 40 | G101NB40 | 674969 | G101NC40 | 674883 | G101ND40 | 675045 | 6 |
| 50 | G101NB50 | 674970 | G101NC50 | 674884 | G101ND50 | 675046 | 6 |
| 63 | G101NB63 | 674971 | G101NC63 | 674885 | G101ND63 | 675047 | 6 |



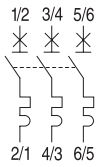
2P
2 mod.



| | | | | | | | |
|-----|---------|--------|----------|--------|----------|--------|---|
| 0.5 | | | G102C0.5 | 674886 | G102D0.5 | 675048 | 6 |
| 1 | | | G102C01 | 674887 | G102D01 | 675049 | 6 |
| 2 | | | G102C02 | 674888 | G102D02 | 675050 | 6 |
| 3 | | | G102C03 | 674889 | G102D03 | 675051 | 6 |
| 4 | | | G102C04 | 674890 | G102D04 | 675052 | 6 |
| 6 | G102B06 | 674972 | G102C06 | 674891 | G102D06 | 675053 | 6 |
| 10 | G102B10 | 674974 | G102C10 | 674893 | G102D10 | 675055 | 6 |
| 13 | G102B13 | 674975 | G102C13 | 674894 | G102D13 | 675056 | 6 |
| 16 | G102B16 | 674976 | G102C16 | 674895 | G102D16 | 675057 | 6 |
| 20 | G102B20 | 674977 | G102C20 | 674896 | G102D20 | 675058 | 6 |
| 25 | G102B25 | 674978 | G102C25 | 674897 | G102D25 | 675059 | 6 |
| 32 | G102B32 | 674979 | G102C32 | 674898 | G102D32 | 675060 | 6 |
| 40 | G102B40 | 674980 | G102C40 | 674899 | G102D40 | 675061 | 6 |
| 50 | G102B50 | 674981 | G102C50 | 674900 | G102D50 | 675062 | 6 |
| 63 | G102B63 | 674982 | G102C63 | 674901 | G102D63 | 675063 | 6 |



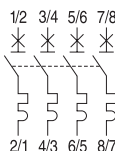
3P
3 mod.



| | | | | | | | |
|-----|---------|--------|----------|--------|----------|--------|---|
| 0.5 | | | G103C0.5 | 674902 | G103D0.5 | 675064 | 4 |
| 1 | | | G103C01 | 674903 | G103D01 | 675065 | 4 |
| 2 | | | G103C02 | 674904 | G103D02 | 675066 | 4 |
| 3 | | | G103C03 | 674905 | G103D03 | 675067 | 4 |
| 4 | | | G103C04 | 674906 | G103D04 | 675068 | 4 |
| 6 | G103B06 | 674983 | G103C06 | 674907 | G103D06 | 675069 | 4 |
| 10 | G103B10 | 674985 | G103C10 | 674909 | G103D10 | 675071 | 4 |
| 13 | G103B13 | 674986 | G103C13 | 674910 | G103D13 | 675072 | 4 |
| 16 | G103B16 | 674987 | G103C16 | 674911 | G103D16 | 675073 | 4 |
| 20 | G103B20 | 674988 | G103C20 | 674912 | G103D20 | 675074 | 4 |
| 25 | G103B25 | 674989 | G103C25 | 674913 | G103D25 | 675075 | 4 |
| 32 | G103B32 | 674990 | G103C32 | 674914 | G103D32 | 675076 | 4 |
| 40 | G103B40 | 674991 | G103C40 | 674915 | G103D40 | 675077 | 4 |
| 50 | G103B50 | 674992 | G103C50 | 674916 | G103D50 | 675078 | 4 |
| 63 | G103B63 | 674993 | G103C63 | 674917 | G103D63 | 675079 | 4 |

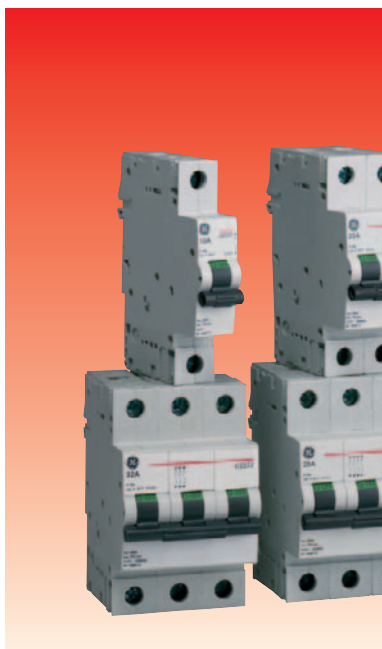


4P
4 mod.



| | | | | | | | |
|-----|---------|--------|----------|--------|----------|--------|---|
| 0.5 | | | G104C0.5 | 674918 | G104D0.5 | 675080 | 3 |
| 1 | | | G104C01 | 674919 | G104D01 | 675081 | 3 |
| 2 | | | G104C02 | 674920 | G104D02 | 675082 | 3 |
| 3 | | | G104C03 | 674921 | G104D03 | 675083 | 3 |
| 4 | | | G104C04 | 674922 | G104D04 | 675084 | 3 |
| 6 | G104B06 | 674994 | G104C06 | 674923 | G104D06 | 675085 | 3 |
| 10 | G104B10 | 674996 | G104C10 | 674925 | G104D10 | 675087 | 3 |
| 13 | G104B13 | 674997 | G104C13 | 674926 | G104D13 | 675088 | 3 |
| 16 | G104B16 | 674998 | G104C16 | 674927 | G104D16 | 675089 | 3 |
| 20 | G104B20 | 674999 | G104C20 | 674928 | G104D20 | 675090 | 3 |
| 25 | G104B25 | 675000 | G104C25 | 674929 | G104D25 | 675091 | 3 |
| 32 | G104B32 | 675001 | G104C32 | 674930 | G104D32 | 675092 | 3 |
| 40 | G104B40 | 675002 | G104C40 | 674931 | G104D40 | 675093 | 3 |
| 50 | G104B50 | 675003 | G104C50 | 674932 | G104D50 | 675094 | 3 |
| 63 | G104B63 | 675004 | G104C63 | 674933 | G104D63 | 675095 | 3 |





Miniature Circuit Breakers

GT25

IEC 60947-2 **50kA**
25kA
20kA
15kA

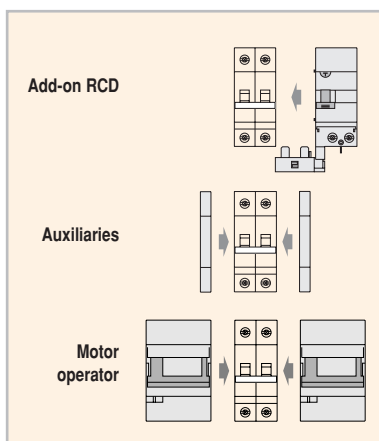
Applications



Marking



Add-on devices



- Add-on RCD ● pg B.14
- Auxiliary contacts ● pg C.4
- Shunt trip ● pg C.6
- Undervoltage release ● pg C.6
- Panel board switch ● pg C.6
- Motor operator ● pg C.8

- Accessories ● pg A.39
- Busbars ● pg E.1
- More technical data ● website
- Dimensions ● pg A.40

Performances

| | |
|---|--|
| Thermal setting I_n | (A) 0.5-63 |
| Rated voltage AC U_n | (V) 240/415 |
| Minimum operating voltage $U_{B \min}$ | (V) 12 |
| Tripping characteristics | 3-5 I_n (B) 5-10 I_n (C) 10-20 I_n (D) |
| Mechanical/electrical endurance | 20000/10000 |
| Tropicalisation acc.to IEC 60068-2 | 95%RH at 55°C |
| Terminal capacity flexible/rigid cable(mm²) | 25-35 |
| Poles | 1, 2, 3, 4 |
| Weight | (g/pole) 120 |

Short-circuit capacity

Acc. to IEC 60947-2

| I_n (A) | Poles | V | I_{cu} (kA) ⁽¹⁾ |
|-----------|-------|-----|------------------------------|
| 0.5-4 | 1 | 240 | 50 |
| | 2-4 | 415 | 50 |
| 6-25 | 1 | 240 | 25 |
| | | 415 | 25 |
| | 2-4 | 240 | 40 |
| | | 415 | 20 |
| 32-40 | 1 | 240 | 20 |
| | | 415 | 20 |
| | 2-4 | 240 | 30 |
| | | 415 | 15 |
| 50-63 | 1 | 240 | 15 |
| | | 415 | 15 |
| | 2-4 | 240 | 30 |
| | | 415 | 15 |

(1) $I_{cs} = 50\% I_{cu}$

DC acc. to IEC 60947-2

| Poles | V $\overline{\text{---}}$ ** | I_{cu}/I_{cs} (kA) |
|-------|------------------------------|----------------------|
| 1 | 60 | 25 |
| 2 | 125 | 30 |

**Nominal and Maximum VDC on page A.4-A.5

Series GT25 - 25kA - 3-5In (B), 5-10In (C), 10-20In (D)



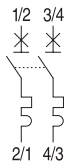
1P
1 mod.



| In (A) | 3-5In (B) | | 5-10In (C) | | 10-20In (D) | | Pack. |
|--------|-----------|----------|------------|----------|-------------|----------|-------|
| | Cat. No. | Ref. No. | Cat. No. | Ref. No. | Cat. No. | Ref. No. | |
| 0.5 | | | GT251C0.5 | 675284 | GT251D0.5 | 675392 | 12 |
| 1 | | | GT251C01 | 675285 | GT251D01 | 675393 | 12 |
| 2 | | | GT251C02 | 675286 | GT251D02 | 675394 | 12 |
| 4 | | | GT251C04 | 675288 | GT251D04 | 675396 | 12 |
| 6 | GT251B06 | 675348 | GT251C06 | 675289 | GT251D06 | 675397 | 12 |
| 10 | GT251B10 | 675350 | GT251C10 | 675291 | GT251D10 | 675399 | 12 |
| 16 | GT251B16 | 675352 | GT251C16 | 675293 | GT251D16 | 675401 | 12 |
| 20 | GT251B20 | 675353 | GT251C20 | 675294 | GT251D20 | 675402 | 12 |
| 25 | GT251B25 | 675354 | GT251C25 | 675295 | GT251D25 | 675403 | 12 |
| 32 | GT251B32 | 675355 | GT251C32 | 675296 | GT251D32 | 675404 | 12 |
| 40 | GT251B40 | 675356 | GT251C40 | 675297 | GT251D40 | 675405 | 12 |
| 50 | GT251B50 | 675357 | GT251C50 | 675298 | GT251D50 | 675406 | 12 |
| 63 | GT251B63 | 675358 | GT251C63 | 675299 | GT251D63 | 675407 | 12 |



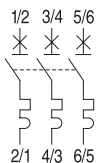
2P
2 mod.



| | | | | | | | |
|-----|----------|--------|-----------|--------|-----------|--------|---|
| 0.5 | | | GT252C0.5 | 675300 | GT252D0.5 | 675408 | 6 |
| 1 | | | GT252C01 | 675301 | GT252D01 | 675409 | 6 |
| 2 | | | GT252C02 | 675302 | GT252D02 | 675410 | 6 |
| 4 | | | GT252C04 | 675304 | GT252D04 | 675412 | 6 |
| 6 | GT252B06 | 675359 | GT252C06 | 675305 | GT252D06 | 675413 | 6 |
| 10 | GT252B10 | 675361 | GT252C10 | 675307 | GT252D10 | 675415 | 6 |
| 16 | GT252B16 | 675363 | GT252C16 | 675309 | GT252D16 | 675417 | 6 |
| 20 | GT252B20 | 675364 | GT252C20 | 675310 | GT252D20 | 675418 | 6 |
| 25 | GT252B25 | 675365 | GT252C25 | 675311 | GT252D25 | 675419 | 6 |
| 32 | GT252B32 | 675366 | GT252C32 | 675312 | GT252D32 | 675420 | 6 |
| 40 | GT252B40 | 675367 | GT252C40 | 675313 | GT252D40 | 675421 | 6 |
| 50 | GT252B50 | 675368 | GT252C50 | 675314 | GT252D50 | 675422 | 6 |
| 63 | GT252B63 | 675369 | GT252C63 | 675315 | GT252D63 | 675423 | 6 |



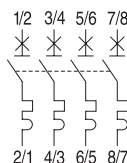
3P
3 mod.



| | | | | | | | |
|-----|----------|--------|-----------|--------|-----------|--------|---|
| 0.5 | | | GT253C0.5 | 675316 | GT253D0.5 | 675424 | 4 |
| 1 | | | GT253C01 | 675317 | GT253D01 | 675425 | 4 |
| 2 | | | GT253C02 | 675318 | GT253D02 | 675426 | 4 |
| 4 | | | GT253C04 | 675320 | GT253D04 | 675428 | 4 |
| 6 | GT253B06 | 675370 | GT253C06 | 675321 | GT253D06 | 675429 | 4 |
| 10 | GT253B10 | 675372 | GT253C10 | 675323 | GT253D10 | 675431 | 4 |
| 16 | GT253B16 | 675374 | GT253C16 | 675325 | GT253D16 | 675433 | 4 |
| 20 | GT253B20 | 675375 | GT253C20 | 675326 | GT253D20 | 675434 | 4 |
| 25 | GT253B25 | 675376 | GT253C25 | 675327 | GT253D25 | 675435 | 4 |
| 32 | GT253B32 | 675377 | GT253C32 | 675328 | GT253D32 | 675436 | 4 |
| 40 | GT253B40 | 675378 | GT253C40 | 675329 | GT253D40 | 675437 | 4 |
| 50 | GT253B50 | 675379 | GT253C50 | 675330 | GT253D50 | 675438 | 4 |
| 63 | GT253B63 | 675380 | GT253C63 | 675331 | GT253D63 | 675439 | 4 |



4P
4 mod.



| | | | | | | | |
|-----|----------|--------|-----------|--------|-----------|--------|---|
| 0.5 | | | GT254C0.5 | 675332 | GT254D0.5 | 675440 | 3 |
| 1 | | | GT254C01 | 675333 | GT254D01 | 675441 | 3 |
| 2 | | | GT254C02 | 675334 | GT254D02 | 675442 | 3 |
| 4 | | | GT254C04 | 675336 | GT254D04 | 675444 | 3 |
| 6 | GT254B06 | 675381 | GT254C06 | 675337 | GT254D06 | 675445 | 3 |
| 10 | GT254B10 | 675383 | GT254C10 | 675339 | GT254D10 | 675447 | 3 |
| 16 | GT254B16 | 675385 | GT254C16 | 675341 | GT254D16 | 675449 | 3 |
| 20 | GT254B20 | 675386 | GT254C20 | 675342 | GT254D20 | 675450 | 3 |
| 25 | GT254B25 | 675387 | GT254C25 | 675343 | GT254D25 | 675451 | 3 |
| 32 | GT254B32 | 675388 | GT254C32 | 675344 | GT254D32 | 675452 | 3 |
| 40 | GT254B40 | 675389 | GT254C40 | 675345 | GT254D40 | 675453 | 3 |
| 50 | GT254B50 | 675390 | GT254C50 | 675346 | GT254D50 | 675454 | 3 |
| 63 | GT254B63 | 675391 | GT254C63 | 675347 | GT254D63 | 675455 | 3 |



Miniature Circuit Breakers

Series Hti

IEC 60947-2 10kA



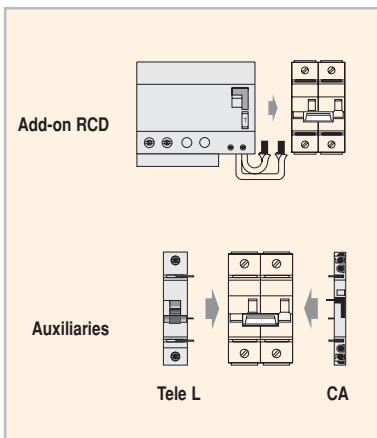
Applications



Standard / Marking

IEC 60947-2

Add-on devices



- Add-on RCD ● pg A.32
- Auxiliary contacts ● pg A.33
- Shunt trip ● pg A.33

- More technical data ● website
- Dimensions ● pg A.41

Performance

| | | |
|--|----------|---|
| Thermal setting I_n | (A) | 80-100-125 |
| Rated voltage AC U_n | (V) | 240/415 |
| Tripping characteristics | | 3-5 I _n (B) 5-10 I _n (C) 10-20 I _n (D) |
| Mechanical/electrical endurance | | 10000/4000 |
| Operating temperature | (°C) | -25°C up to 55°C |
| Terminal capacity flexible/rigid cable (mm²) | | 70 |
| Poles | | 1, 2, 3, 4 |
| Weight | (g/pole) | 210 |

Short-circuit capacity

Acc. to IEC 60947-2 (B, C)

| Poles | V | I _{cu} (kA) |
|-------|---------|----------------------|
| 1 | 230/400 | 10 |
| 2 | 230 | 15 |
| 3, 4 | 230 | 15 |
| 3, 4 | 400 | 10 |

Add-on RCD - technical performances

| | |
|--|---|
| Standard | IEC 61009 |
| Nominal current I_n | (A) 80-125 |
| Residual current I_{Δn} | (mA) 30, 300 |
| Rated voltage AC U_n | (V) 2P: 230/400 3P-4P: 400 |
| Resistance against unwanted tripping | Type A, AC: 250A 8/20 μs Type S: 3000A 8/20 μs |
| Terminal capacity flexible/rigid cable (mm²) | 70 |
| Poles | 2, 3, 4 |

Series Hti - 10kA - characteristics B-C-D



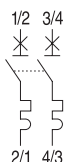
1P
1.5 mod.



| In (A) | 3-5 In (B) | | 5-10 In (C) | | 10-20 In (D) | | Pack. |
|--------|--------------|----------|--------------|----------|--------------|----------|-------|
| | Cat. No. | Ref. No. | Cat. No. | Ref. No. | Cat. No. | Ref. No. | |
| 80 | Hti 101 B080 | 671504 | Hti 101 C080 | 671528 | Hti 101 D080 | 671552 | 8 |
| 100 | Hti 101 B100 | 671505 | Hti 101 C100 | 671529 | Hti 101 D100 | 671553 | 8 |
| 125 | Hti 101 B125 | 671506 | Hti 101 C125 | 671530 | Hti 101 D125 | 671554 | 8 |



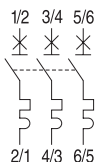
2P
3 mod.



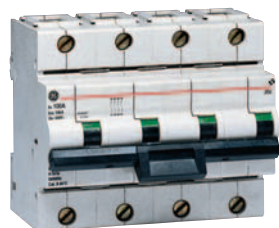
| | | | | | | | |
|-----|--------------|--------|--------------|--------|--------------|--------|---|
| 80 | Hti 102 B080 | 671510 | Hti 102 C080 | 671534 | Hti 102 D080 | 671558 | 4 |
| 100 | Hti 102 B100 | 671511 | Hti 102 C100 | 671535 | Hti 102 D100 | 671559 | 4 |
| 125 | Hti 102 B125 | 671512 | Hti 102 C125 | 671536 | Hti 102 D125 | 671560 | 4 |



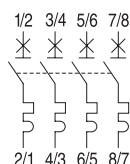
3P
4.5 mod.



| | | | | | | | |
|-----|--------------|--------|--------------|--------|--------------|--------|---|
| 80 | Hti 103 B080 | 671516 | Hti 103 C080 | 671540 | Hti 103 D080 | 671564 | 2 |
| 100 | Hti 103 B100 | 671517 | Hti 103 C100 | 671541 | Hti 103 D100 | 671565 | 2 |
| 125 | Hti 103 B125 | 671518 | Hti 103 C125 | 671542 | Hti 103 D125 | 671566 | 2 |



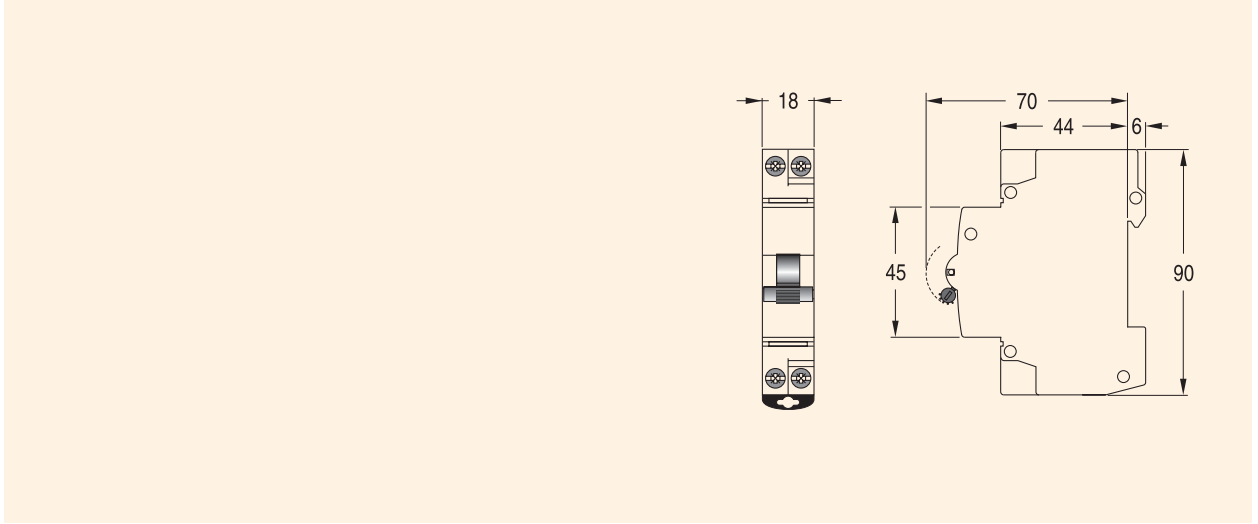
4P
6 mod.



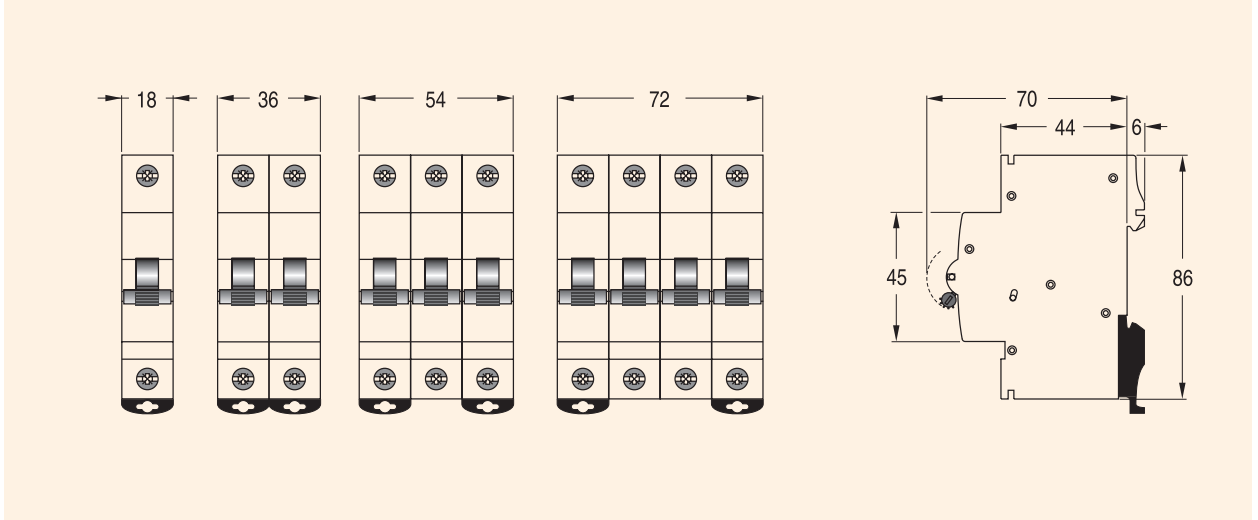
| | | | | | | | |
|-----|--------------|--------|--------------|--------|--------------|--------|---|
| 80 | Hti 104 B80 | 671522 | Hti 104 C080 | 671546 | Hti 104 D080 | 671570 | 2 |
| 100 | Hti 104 B100 | 671523 | Hti 104 C100 | 671547 | Hti 104 D100 | 671571 | 2 |
| 125 | Hti 104 B125 | 671524 | Hti 104 C125 | 671548 | Hti 104 D125 | 671572 | 2 |

Dimensional drawings

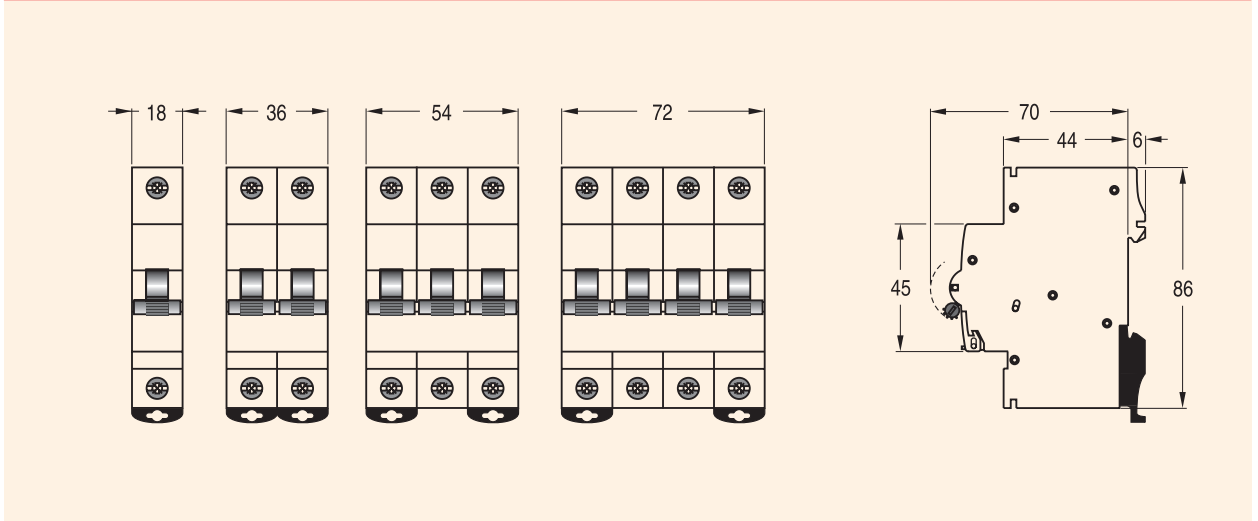
Miniature Circuit Breakers - Series C



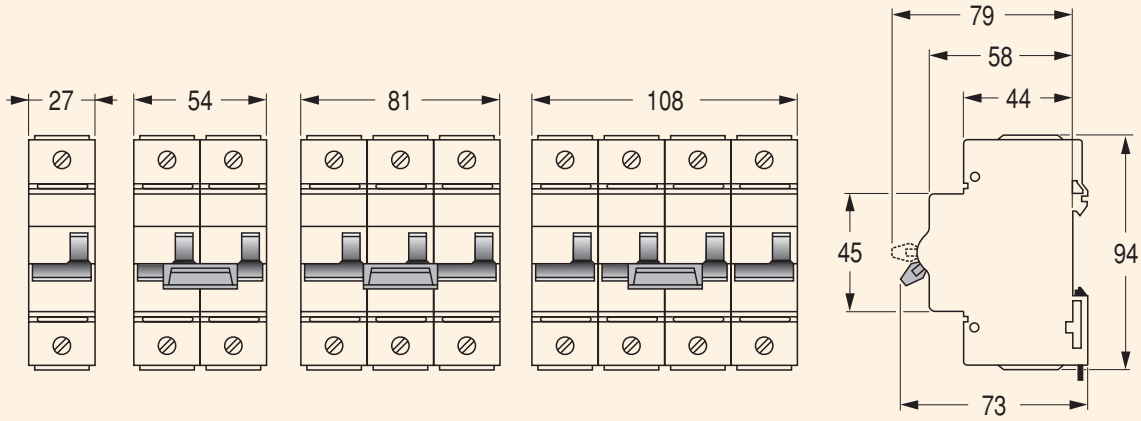
Miniature Circuit Breakers - Series G & GT



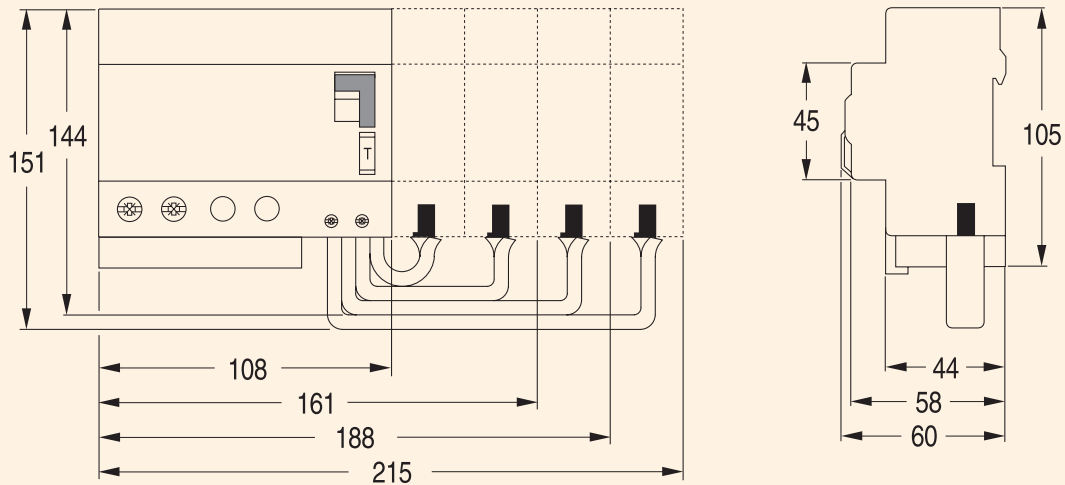
Miniature Circuit Breakers - Series EP100 UC



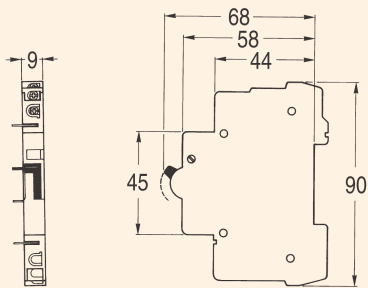
Miniature Circuit Breakers - Series Hti



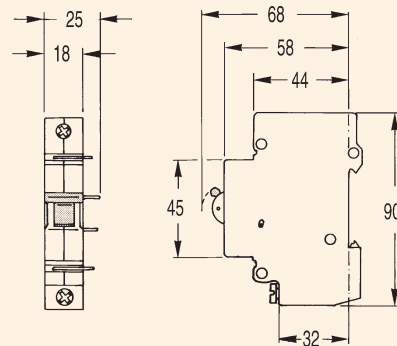
Add-on RCD's for Series Hti



Auxiliary contact - Series Hti



Shunt trip - Series Hti



RCBO's - Residual Current Circuit Breakers With Overcurrent Protection

Series DM100



IEC 61009

10000

3

Type AC



Type A



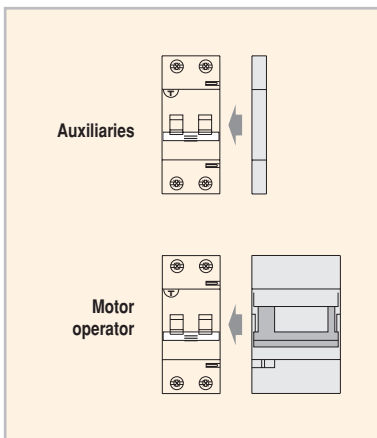
Applications



Approval / Marking



Add-on devices



- Auxiliary contacts ● pg C.4
- Shunt trip ● pg C.6
- Undervoltage release ● pg C.6
- Panel board switch ● pg C.6
- Motor operator ● pg C.8

- Busbars ● pg E.1
- More technical data ● website
- Dimensions ● pg B.17

Performance

| | |
|--|---|
| Thermal setting I_n | (A) 4 to 40 |
| Residual current $I_{\Delta n}$ | (mA) 10, 30, 100, 300 |
| Tripping characteristic | B-C |
| Rated voltage AC U_n | (V) 240 |
| Minimum operating voltage U_{Bmin} | (V) 100 |
| Mechanical/electrical endurance | 20000/10000 |
| Tropicalisation acc. to IEC 60068-2-28/2-30 and DIN 40046 | 95%RH at 55°C |
| Terminal capacity flexible/rigid cable (mm²) | Top terminal: 16-25 Bottom terminal: 25-35 |
| Poles | 1+N |
| Nuisance tripping resistance | 250A 8/20μs; 200A 0.5μs - 100kHz |
| Ambient temperature | (°C) Type AC: -5 upto 40 Type A: -25 upto 40 |
| Weight | (g) 250 |

Short-circuit capacity

| | |
|--|---------------------------|
| According to IEC 61009 and IEC 60898 | |
| Residual making and breaking capacity | $I_{\Delta m} = 7500A$ |
| Short-circuit capacity | $I_{cn} = 10000A$ at 240V |
| Selectivity class | 3 |

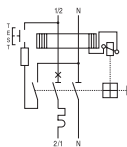
| | |
|-------------------------------|---------------------------|
| According to IEC 60947-2 | |
| Short-circuit capacity | $I_{cu} = 15000A$ at 240V |



Series DM100 - Type AC

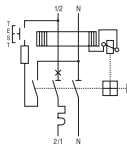


**Characteristic B
1P+N**



| In (A) | 10 mA | | 30 mA | | 100 mA | | 300 mA | | Pack. |
|--------|--------------|----------|--------------|----------|--------------|----------|--------------|----------|-------|
| | Cat. No. | Ref. No. | Cat. No. | Ref. No. | Cat. No. | Ref. No. | Cat. No. | Ref. No. | |
| 6 | DM100B06/010 | 609926 | DM100B06/030 | 609931 | DM100B06/100 | 609939 | DM100B06/300 | 609947 | 1/6 |
| 10 | DM100B10/010 | 609927 | DM100B10/030 | 609932 | DM100B10/100 | 609940 | DM100B10/300 | 609948 | 1/6 |
| 13 | DM100B13/010 | 609928 | DM100B13/030 | 609933 | DM100B13/100 | 609941 | DM100B13/300 | 609949 | 1/6 |
| 16 | DM100B16/010 | 609929 | DM100B16/030 | 609934 | DM100B16/100 | 609942 | DM100B16/300 | 609950 | 1/6 |
| 20 | DM100B20/010 | 609930 | DM100B20/030 | 609935 | DM100B20/100 | 609943 | DM100B20/300 | 609951 | 1/6 |
| 25 | - | - | DM100B25/030 | 609936 | DM100B25/100 | 609944 | DM100B25/300 | 609952 | 1/6 |
| 32 | - | - | DM100B32/030 | 609937 | DM100B32/100 | 609945 | DM100B32/300 | 609953 | 1/6 |
| 40 | - | - | DM100B40/030 | 609938 | DM100B40/100 | 609946 | DM100B40/300 | 609954 | 1/6 |

**Characteristic C
1P+N**

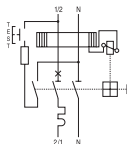


| | | | | | | | | | |
|----|--------------|--------|--------------|--------|--------------|--------|--------------|--------|-----|
| 4 | DM100C04/010 | 609955 | DM100C04/030 | 609961 | DM100C04/100 | 609970 | DM100C04/300 | 609979 | 1/6 |
| 6 | DM100C06/010 | 609956 | DM100C06/030 | 609962 | DM100C06/100 | 609971 | DM100C06/300 | 609980 | 1/6 |
| 10 | DM100C10/010 | 609957 | DM100C10/030 | 609963 | DM100C10/100 | 609972 | DM100C10/300 | 609981 | 1/6 |
| 13 | DM100C13/010 | 609958 | DM100C13/030 | 609964 | DM100C13/100 | 609973 | DM100C13/300 | 609982 | 1/6 |
| 16 | DM100C16/010 | 609959 | DM100C16/030 | 609965 | DM100C16/100 | 609974 | DM100C16/300 | 609983 | 1/6 |
| 20 | DM100C20/010 | 609960 | DM100C20/030 | 609966 | DM100C20/100 | 609975 | DM100C20/300 | 609984 | 1/6 |
| 25 | - | - | DM100C25/030 | 609967 | DM100C25/100 | 609976 | DM100C25/300 | 609985 | 1/6 |
| 32 | - | - | DM100C32/030 | 609968 | DM100C32/100 | 609977 | DM100C32/300 | 609986 | 1/6 |
| 40 | - | - | DM100C40/030 | 609969 | DM100C40/100 | 609978 | DM100C40/300 | 609987 | 1/6 |

Series DM100 - Type A

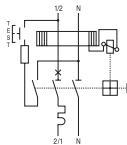


**Characteristic B
1P+N**



| In (A) | 10 mA | | 30 mA | | 100 mA | | 300 mA | | Pack. |
|--------|---------------|----------|---------------|----------|---------------|----------|---------------|----------|-------|
| | Cat. No. | Ref. No. | Cat. No. | Ref. No. | Cat. No. | Ref. No. | Cat. No. | Ref. No. | |
| 6 | DMA100B06/010 | 609864 | DMA100B06/030 | 609869 | DMA100B06/100 | 609877 | DMA100B06/300 | 609885 | 1/6 |
| 10 | DMA100B10/010 | 609865 | DMA100B10/030 | 609870 | DMA100B10/100 | 609878 | DMA100B10/300 | 609886 | 1/6 |
| 13 | DMA100B13/010 | 609866 | DMA100B13/030 | 609871 | DMA100B13/100 | 609879 | DMA100B13/300 | 609887 | 1/6 |
| 16 | DMA100B16/010 | 609867 | DMA100B16/030 | 609872 | DMA100B16/100 | 609880 | DMA100B16/300 | 609888 | 1/6 |
| 20 | DMA100B20/010 | 609868 | DMA100B20/030 | 609873 | DMA100B20/100 | 609881 | DMA100B20/300 | 609889 | 1/6 |
| 25 | - | - | DMA100B25/030 | 609874 | DMA100B25/100 | 609882 | DMA100B25/300 | 609890 | 1/6 |
| 32 | - | - | DMA100B32/030 | 609875 | DMA100B32/100 | 609883 | DMA100B32/300 | 609891 | 1/6 |
| 40 | - | - | DMA100B40/030 | 609876 | DMA100B40/100 | 609884 | DMA100B40/300 | 609892 | 1/6 |

**Characteristic C
1P+N**

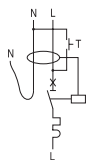


| | | | | | | | | | |
|----|---------------|--------|---------------|--------|---------------|--------|---------------|--------|-----|
| 4 | DMA100C04/010 | 609893 | DMA100C04/030 | 609899 | DMA100C04/100 | 609908 | DMA100C04/300 | 609917 | 1/6 |
| 6 | DMA100C06/010 | 609894 | DMA100C06/030 | 609900 | DMA100C06/100 | 609909 | DMA100C06/300 | 609918 | 1/6 |
| 10 | DMA100C10/010 | 609895 | DMA100C10/030 | 609901 | DMA100C10/100 | 609910 | DMA100C10/300 | 609919 | 1/6 |
| 13 | DMA100C13/010 | 609896 | DMA100C13/030 | 609902 | DMA100C13/100 | 609911 | DMA100C13/300 | 609920 | 1/6 |
| 16 | DMA100C16/010 | 609897 | DMA100C16/030 | 609903 | DMA100C16/100 | 609912 | DMA100C16/300 | 609921 | 1/6 |
| 20 | DMA100C20/010 | 609898 | DMA100C20/030 | 609904 | DMA100C20/100 | 609913 | DMA100C20/300 | 609922 | 1/6 |
| 25 | - | - | DMA100C25/030 | 609905 | DMA100C25/100 | 609914 | DMA100C25/300 | 609923 | 1/6 |
| 32 | - | - | DMA100C32/030 | 609906 | DMA100C32/100 | 609915 | DMA100C32/300 | 609924 | 1/6 |
| 40 | - | - | DMA100C40/030 | 609907 | DMA100C40/100 | 609916 | DMA100C40/300 | 609925 | 1/6 |

Series DMT100 - Type AC

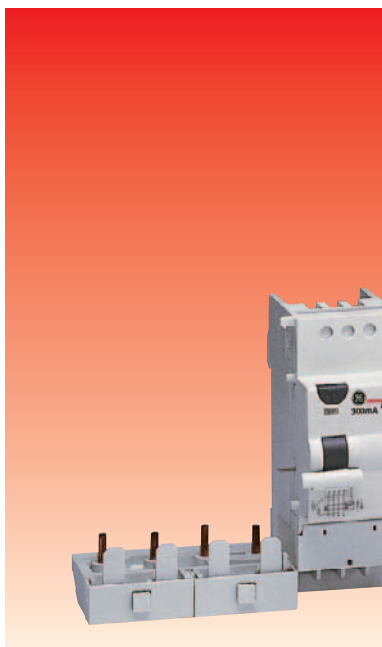


**Characteristic C
Unswitched neutral
1P+N**



| In (A) | 30 mA | | Pack. |
|--------|---------------|----------|-------|
| | Cat. No. | Ref. No. | |
| 4 | DMT100C04/030 | 609289 | 1 |
| 6 | DMT100C06/030 | 609290 | 1 |
| 10 | DMT100C10/030 | 609291 | 1 |
| 13 | DMT100C13/030 | 609292 | 1 |
| 16 | DMT100C16/030 | 609293 | 1 |
| 20 | DMT100C20/030 | 609294 | 1 |
| 25 | DMT100C25/030 | 609295 | 1 |
| 32 | DMT100C32/030 | 609296 | 1 |
| 40 | DMT100C40/030 | 609297 | 1 |





Add-on Residual Current Devices

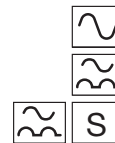
Diff-o-Click

IEC 61009

Type AC

Type A

Type S



Applications



Approval / Marking



Performance

| | |
|--|--|
| Thermal setting I_n | (A) 32, 63 |
| Residual current I_{Δn} | (mA) 30, 100, 300, 500, 1000 |
| Rated voltage AC U_n | (V) 2P: 240/415 3P: 415 4P: 415 |
| Minimum operating voltage U_{Bmin} | (V) 2P: 190 3P: 190 4P: 190 |
| Mechanical/electrical endurance | 20000/10000 |
| Tropicalisation acc.to IEC 60068-2/3 en DIN 40046 | 95%RH at 55°C |
| Terminal capacity flexible/rigid cable (mm²) | 2P 32 & 63A: 25-35 3P 32 & 63A: 25-35 4P 2 mod. 32A: 16 4P 32 & 63A 4 mod.: 25-35 |
| Poles | 2, 3, 4 |
| Nuisance tripping resistance | Type A, AC: 250A 8/20μs; 200A 0.5μs - 100kHz Type S: 3000A 8/20μs |
| Ambient temperature | (°C) Type AC: -5 upto 55 Type A, S: -25 upto 55 |
| Weight | (g) 2P: 250 3P: 320 4P: 340 |

Short-circuit capacity

Depends on the associated MCB

| | MCB | | | |
|---|------|------|------|-------|
| | G30 | G45 | G60 | G100 |
| Residual making and breaking capacity I_{Δm} | 3000 | 4500 | 6000 | 7500 |
| Short-circuit capacity I_{cn} | 3000 | 4500 | 6000 | 10000 |

More technical data ● website
Dimensions ● pg B.16-B.17



Add-on RCD - Series Diff-o-Click - Type AC

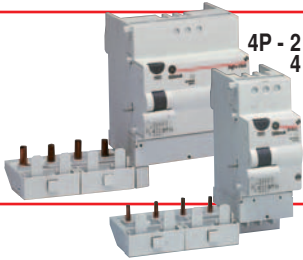


2P - 2 mod.

| In (A) | 30 mA | | 100 mA | | 300 mA | | 500 mA | | 1000 mA | | Pack. |
|--------|-------------|----------|-------------|----------|-------------|----------|-------------|----------|--------------|----------|-------|
| | Cat. No. | Ref. No. | Cat. No. | Ref. No. | Cat. No. | Ref. No. | Cat. No. | Ref. No. | Cat. No. | Ref. No. | |
| 32 | DOC 232/030 | 607536 | DOC 232/100 | 607537 | DOC 232/300 | 607538 | DOC 232/500 | 607539 | DOC 232/1000 | 607540 | 1 |
| 63 | DOC 263/030 | 607542 | DOC 263/100 | 607543 | DOC 263/300 | 607544 | DOC 263/500 | 607545 | DOC 263/1000 | 607546 | 1 |

3P - 2 mod.
4 mod.

| | | | | | | | | | | | |
|----|-------------|--------|-------------|--------|-------------|--------|-------------|--------|--------------|--------|---|
| 32 | DOC 332/030 | 607620 | DOC 332/100 | 607621 | DOC 332/300 | 607622 | DOC 332/500 | 607623 | DOC 332/1000 | 607624 | 1 |
| 63 | DOC 363/030 | 607626 | DOC 363/100 | 607627 | DOC 363/300 | 607628 | DOC 363/500 | 607629 | DOC 363/1000 | 607630 | 1 |



4P - 2 mod.
4 mod.

| | | | | | | | | | | | |
|----|-------------|--------|-------------|--------|-------------|--------|-------------|--------|--------------|--------|---|
| 32 | DOC 532/030 | 607722 | DOC 532/100 | 607723 | DOC 532/300 | 607724 | DOC 532/500 | 607725 | DOC 532/1000 | 607726 | 1 |
| 32 | DOC 432/030 | 607728 | DOC 432/100 | 607729 | DOC 432/300 | 607730 | DOC 432/500 | 607731 | DOC 432/1000 | 607732 | 1 |
| 63 | DOC 463/030 | 607734 | DOC 463/100 | 607735 | DOC 463/300 | 607736 | DOC 463/500 | 607737 | DOC 463/1000 | 607738 | 1 |

Note: 3P+N (unswitched) flying lead on request.

Add-on RCD - Series Diff-o-Click - Type A

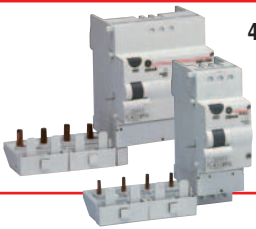


2P - 2 mod.

| In (A) | 30 mA | | 100 mA | | 300 mA | | 500 mA | | 1000 mA | | Pack. |
|--------|--------------|----------|--------------|----------|--------------|----------|--------------|----------|---------------|----------|-------|
| | Cat. No. | Ref. No. | Cat. No. | Ref. No. | Cat. No. | Ref. No. | Cat. No. | Ref. No. | Cat. No. | Ref. No. | |
| 32 | DOCA 232/030 | 607500 | DOCA 232/100 | 607501 | DOCA 232/300 | 607502 | DOCA 232/500 | 607503 | DOCA 232/1000 | 607504 | 1 |
| 63 | DOCA 263/030 | 607506 | DOCA 263/100 | 607507 | DOCA 263/300 | 607508 | DOCA 263/500 | 607509 | DOCA 263/1000 | 607510 | 1 |

3P - 2 mod.
4 mod.

| | | | | | | | | | | | |
|----|--------------|--------|--------------|--------|--------------|--------|--------------|--------|---------------|--------|---|
| 32 | DOCA 332/030 | 607584 | DOCA 332/100 | 607585 | DOCA 332/300 | 607586 | DOCA 332/500 | 607587 | DOCA 332/1000 | 607588 | 1 |
| 63 | DOCA 363/030 | 607590 | DOCA 363/100 | 607591 | DOCA 363/300 | 607592 | DOCA 363/500 | 607593 | DOCA 363/1000 | 607594 | 1 |



4P - 2 mod.
4 mod.

| | | | | | | | | | | | |
|----|--------------|--------|--------------|--------|--------------|--------|--------------|--------|---------------|--------|---|
| 32 | DOCA 532/030 | 607668 | DOCA 532/100 | 607670 | DOCA 532/300 | 607669 | DOCA 532/500 | 607671 | DOCA 532/1000 | 607672 | 1 |
| 32 | DOCA 432/030 | 607674 | DOCA 432/100 | 607675 | DOCA 432/300 | 607676 | DOCA 432/500 | 607677 | DOCA 432/1000 | 607678 | 1 |
| 63 | DOCA 463/030 | 607680 | DOCA 463/100 | 607681 | DOCA 463/300 | 607682 | DOCA 463/500 | 607683 | DOCA 463/1000 | 607684 | 1 |

Add-on RCD - Series Diff-o-Click - Type S

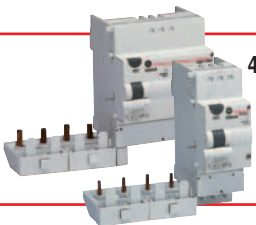


2P - 2 mod.

| In (A) | 100 mA | | 300 mA | | 500 mA | | 1000 mA | | Pack. | |
|--------|----------|--------------|----------|--------------|----------|--------------|----------|---------------|--------|---|
| | Cat. No. | Ref. No. | Cat. No. | Ref. No. | Cat. No. | Ref. No. | Cat. No. | Ref. No. | | |
| 32 | | DOCS 232/100 | 607513 | DOCS 232/300 | 607514 | DOCS 232/500 | 607515 | DOCS 232/1000 | 607516 | 1 |
| 63 | | DOCS 263/100 | 607519 | DOCS 263/300 | 607520 | DOCS 263/500 | 607521 | DOCS 263/1000 | 607522 | 1 |

3P - 2 mod.
4 mod.

| | | | | | | | | | | |
|----|--|--------------|--------|--------------|--------|--------------|--------|---------------|--------|---|
| 32 | | DOCS 332/100 | 607597 | DOCS 332/300 | 607598 | DOCS 332/500 | 607599 | DOCS 332/1000 | 607600 | 1 |
| 63 | | DOCS 363/100 | 607603 | DOCS 363/300 | 607604 | DOCS 363/500 | 607605 | DOCS 363/1000 | 607606 | 1 |



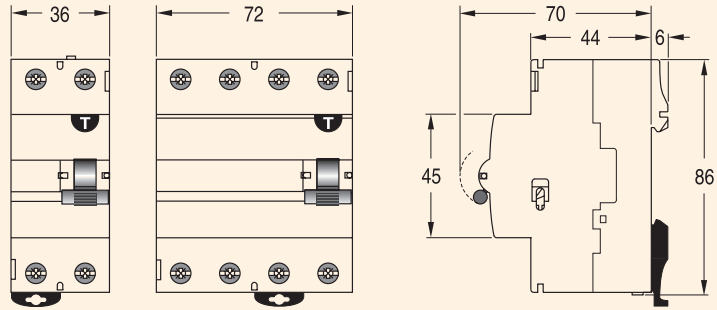
4P - 2 mod.
4 mod.

| | | | | | | | | | | |
|----|--|--------------|--------|--------------|--------|--------------|--------|---------------|--------|---|
| 32 | | DOCS 532/100 | 607687 | DOCS 532/300 | 607688 | DOCS 532/500 | 607689 | DOCS 532/1000 | 607690 | 1 |
| 32 | | DOCS 432/100 | 607693 | DOCS 432/300 | 607694 | DOCS 432/500 | 607695 | DOCS 432/1000 | 607696 | 1 |
| 63 | | DOCS 463/100 | 607699 | DOCS 463/300 | 607700 | DOCS 463/500 | 607701 | DOCS 463/1000 | 607702 | 1 |



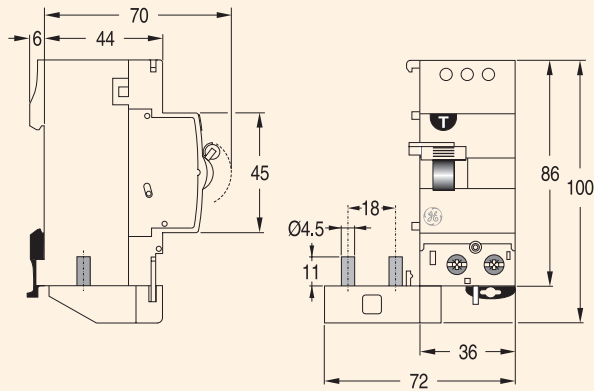
Dimensional drawings

RCCB's - Series BP

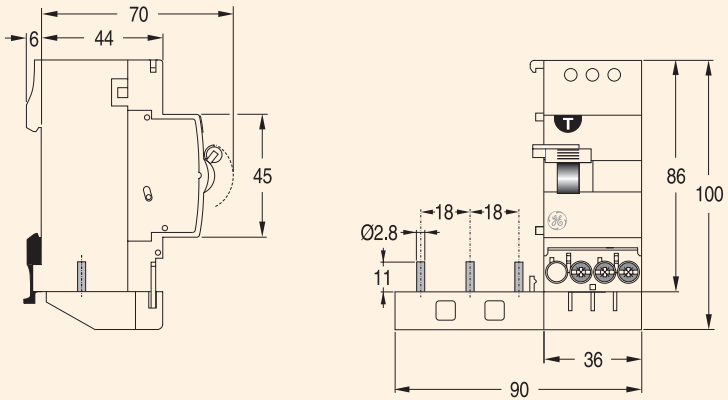


Add-on RCCB - Series Diff-o-Click

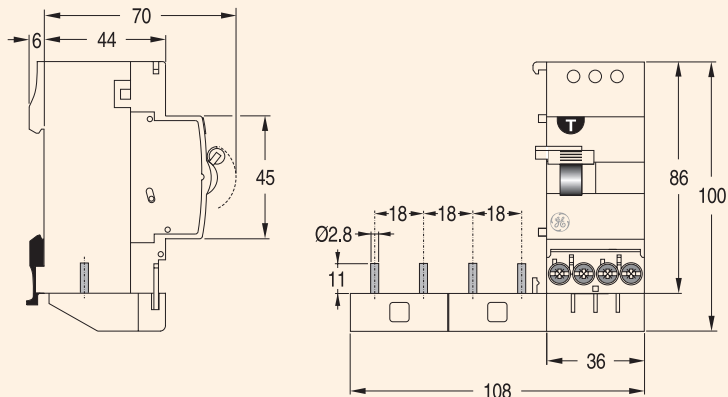
2P 32A
2P 63A



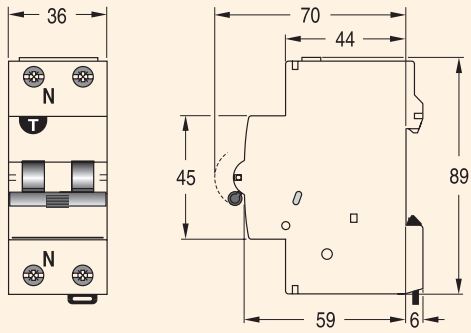
3P 32A



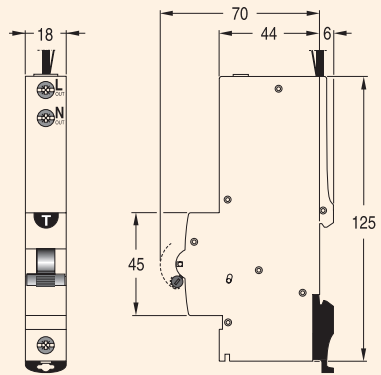
4P 32A



RCBO's - Series DM

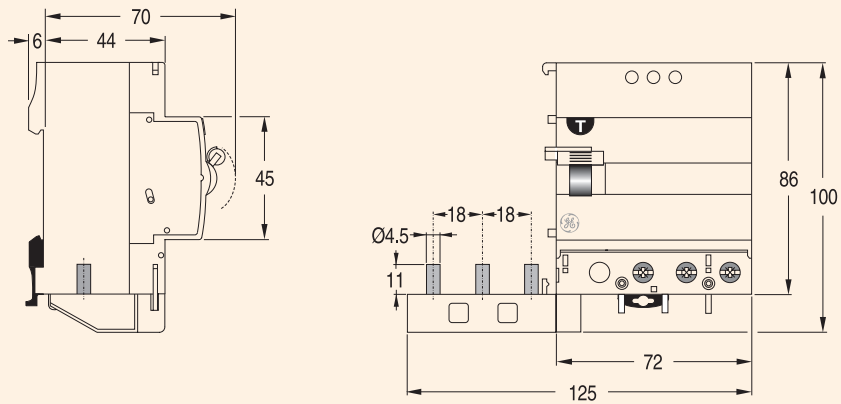


RCBO's - Series DME



Add-on RCCB - Series Diff-o-Click

3P 63A



4P 63A

