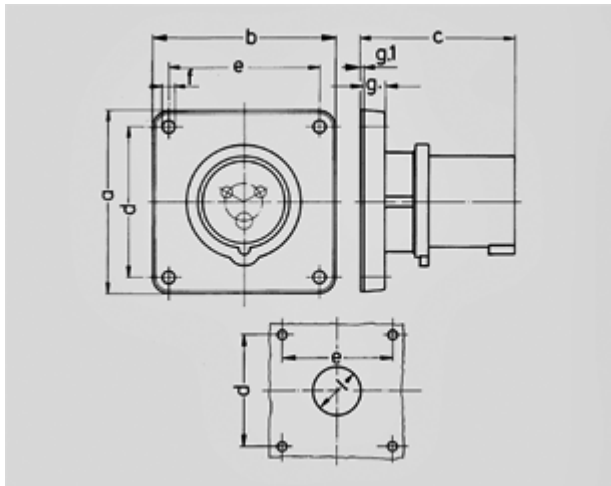


**Panel mounted inlet - Part no. 812**


- screw terminals
- nickel-plated contacts
- a retaining nose to hold the hinged lid of the connector must be provided by the customer in order to ensure satisfactory locking

Protection type	IP 44
Ampere	16 A
Poles	3p
Voltage	230
Hertz	50-60Hz
Earth position	6h
Contact	standard
Connection technology	Screw terminals

Std. Pack. 10 Qty.



Drawing	Amp.	16			32		
		3	4	5	3	4	5
<b>2 MB 173/2</b>	<b>Poles</b>						
<b>Dim. in mm</b>	<b>a</b>	85,7	85,7	85,7	85,7	85,7	85,7
	<b>b</b>	85,7	85,7	85,7	85,7	85,7	85,7
	<b>c</b>	72	72	72	90	90	90
	<b>d</b>	69,5	69,5	69,5	69,5	69,5	69,5
	<b>e</b>	69,5	69,5	69,5	69,5	69,5	69,5
	<b>f</b>	5,5	5,5	5,5	5,5	5,5	5,5
	<b>g.</b>	11	11	11	11	11	11
	<b>g.1</b>	2	2	2	2	2	2
	<b>l</b>	32	36	36	47	47	47
	<b>Terminal for cond. cross section (mm<sup>2</sup>) min.-max.</b>	1,5	1,5	1,5	2,5	2,5	2,5
		-4	-4	-4	-10	-10	-10