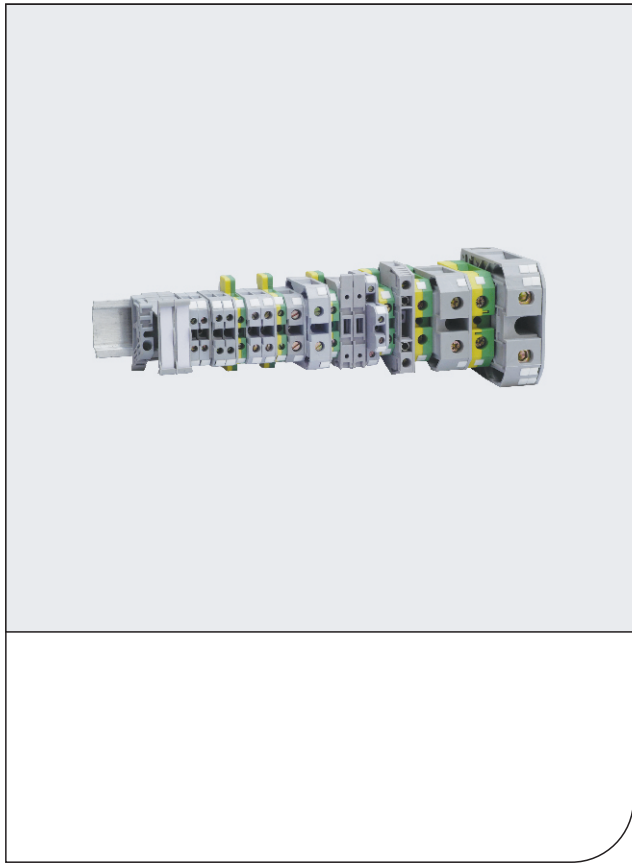


JXB Connection Terminal

1. General

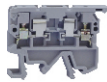
- 1.1 Electric ratings: AC690V/660V;
- 1.2 Specification of connected conductor: 0.5~70mm²;
- 1.3 Standard: IEC60947-7-1.



JXB-2.5



JXB-2.5RD



JXB-2.5S



JXB-4



JXB-4S, 4SL



JXB-6



JXB-10



JXB-16



JXB-35



JXB-70



EK-2.5



EK-4



EK-6



EK-10



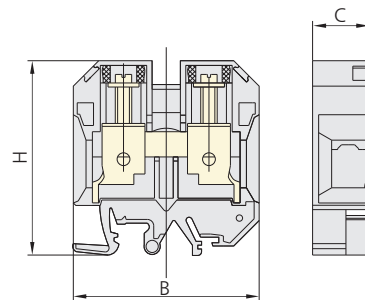
EK-16



EK-35



JXB-B



Connection Terminals

Serial number	Model	Overall dimension			Mounting rail
		B	C	H	
1	JXB-2.5	39.5	6	40	TH35(G32)
2	JXB-2.5S	65	8	48.5	TH35(G32)
3	JXB-4	40	6.5	48.5	TH35(G32)
4	JXB-4S	55	6.7	61	TH35(G32)
5	JXB-4SL	55	6.7	61	TH35(G32)
6	JXB-20RD	59	8.5	43	TH35(G32)
7	JXB-6	40	8	44	TH35(G32)
8	JXB-10	40.5	10	45	TH35(G32)
9	JXB-16	51	12	51.5	TH35(G32)
10	JXB-35	59	18.5	61.5	TH35(G32)
11	JXB-70	75	22	79	TH35(G32)
12	EK-2.5	57	6	39	TH35
13	EK-4	57	7	42	TH35
14	EK-6	57	8	42	TH35
15	EK-10	57	10	42	TH35
16	EK-16	57	13.5	47	TH35
17	EK-35	59	16	56	TH35
18	EW35(GD35、fixing parts)	47	8	61	