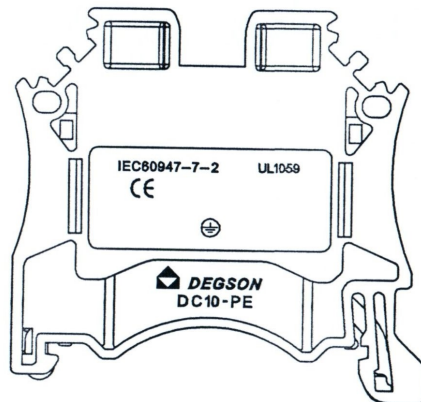
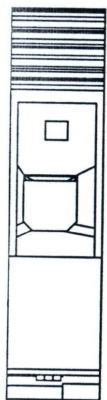
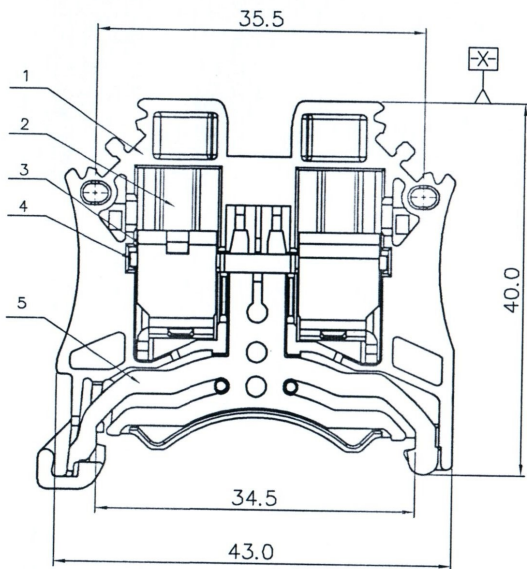
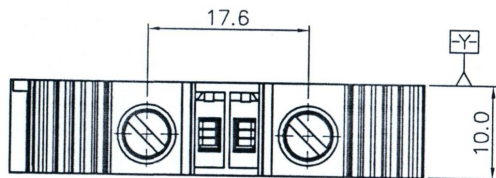


| REVISION RECORD |     |             |      |      |
|-----------------|-----|-------------|------|------|
| REV             | ECN | DESCRIPTION | DRFT | DATE |
|                 |     |             |      |      |



NOTES1:

UL Standard

- 1.Torque value : M4 , 14Lb.in
- 2.Wire range : 20~6AWG

IEC Standard

|                          |     |
|--------------------------|-----|
| 1. Pollution degree      | 3   |
| Overvoltage category     | III |
| Rate impulse voltage(KV) | /   |
| Rate voltage(V)          | / V |
| Rate current(A)          | / A |

- 2.Torque value : M4 , 1.5N·m
- 3.Wire range : 0.5~10mm<sup>2</sup>

NOTES2:

- 1.Dimension shall be interpreted per ASME Y14.5-2009
- 2.Stripping length : 10~12mm
- 3.Operating temperature: -40°C~+105°C
- 4.Undimensioned tolerances:

| Pitch Range In mm |               | Nominal Dimension Range In mm |               |                 |                 | 0.1/10 |       |     |
|-------------------|---------------|-------------------------------|---------------|-----------------|-----------------|--------|-------|-----|
| Over 6 TO 6       | Over 10 TO 10 | Over 30 TO 30                 | Over 60 TO 60 | Over 100 TO 100 | Over 150 TO 150 | 0.1/10 |       |     |
| ±0.15             | ±0.20         | ±0.30                         | ±0.30         | ±0.50           | ±0.70           | ±1.00  | ±1.30 | ±2' |

- 5.RoHS Compliance

仅供参考图  
 签字: [Signature]  
 日期: 2016.07.16

| 5    | CURRENT CONTACT | COPPER ALLOY | Sn PLATED    |
|------|-----------------|--------------|--------------|
| 4    | CURRENT CARRIER | COPPER       | Sn PLATED    |
| 3    | CAGE            | STEEL        | M4/Zn PLATED |
| 2    | SCREW           | STEEL        | M4/Zn PLATED |
| 1    | HOUSING         | PA66         | UL94V-0      |
| ITEM | NAME OF PART    | MATERIAL     | NOTES        |

|                        |                    |   |                      |           |
|------------------------|--------------------|---|----------------------|-----------|
| DETACHED LISTS         | PART NO.: /        | 宁波高松电子有限公司<br>NINGBO DEGSON ELECTRICAL CO., LTD |                      |           |
|                        | APPD: [Signature]  | NAME: DC10-PE-01P-1C-00A(H)                     |                      |           |
|                        | CHKD:              | TITLE: CUSTOMER DRAWING                         |                      |           |
|                        | DRFT: XMY 1/29/16" | DRAWING NO.: DC10-PE-C01                        | REV                  | DO-1      |
| THIRD ANGLE PROJECTION |                    | MM (INCH)                                       | DO NOT SCALE DRAWING | SCALE 1:1 |