

Cable types:

Listed for use with:



- Flexible cords, including Type S, SO, STO, ST, SJ, SJT, SJTO and SVO
- Tray cable types TC, TC-ER, TC-ER-HL^A, ITC, ITC-ER, ITC-HL, PLTC and PLTC-ER cables

Features:

- Rugged, durable construction protects cords and cables from damage and compact design permits close grouping of several cords and/or cables
- Flexible offering available in steel, iron and aluminum in $\frac{3}{8}$ " to 3" trade sizes
- Wire mesh grips available for added strain relief
- Available with NPT threads
- Standard neoprene bushing weatherproof seal on outer sheath of cable

Certifications and compliances:

- cULus Listed – UL File No. E23223
- Suitable for use in Class I, Division 2 hazardous locations when installed in accordance with NEC501.10(B)(4)
- NEMA 3R (suitable for use in wet locations)
- NEMA 4 ($\frac{3}{8}$ " to 3" steel only)
- NEMA 4X ($\frac{3}{8}$ " to 1 $\frac{1}{2}$ " aluminum only)

Standard materials and finishes:

- Form A-D bodies and gland nuts – steel with zinc electroplate and chromate finish coat
- Form E-F bodies and gland nuts – Feraloy iron alloy with electrogalvanized and aluminum acrylic paint
- Available in all aluminum construction
- Bushing – standard neoprene bushing included; silicone (optional)



Operating temperature:

- -25°C to +40°C

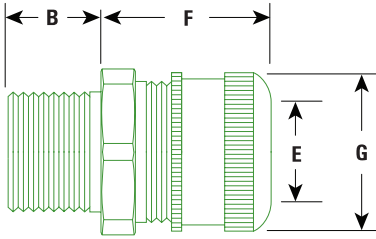
^AType TC-ER-HL cable is rated for 600V nominal. Overall cable diameters are 25mm (1") or less.

CGB non-armored cable glands

NEMA 3R, 4, 4X

1G

1G



Options:

Description

- Sealing gasket and locknut SG

Suffix



Ordering information:

NPT thread size	Form	Cat. # Steel	Cat. # Aluminum	Cable sealing range (E)		Body / pass through ID (nom.)		Dimensions		Across hex flats (G)	Across hex corners (G)	Replacement		Optional
				Min.	Max.	Ferrous	Alum.	B	F			Cat. # Neoprene bushing 80°C [Ⓟ]	Cat. # Silicone bushing 200°C [Ⓟ]	Cat. # Wire mesh grip
3/8"	A	CGB3814 [Ⓞ]		0.125	0.250	0.470	N/A	0.540	1.063	0.750	0.875	BUSH214		
3/8"	A	CGB3816 [Ⓞ]		0.250	0.375	0.470	N/A	0.540	1.063	0.750	0.875	BUSH216		
3/8"	A	CGB3817 [Ⓞ]		0.375	0.437	0.470	N/A	0.540	1.063	0.750	0.875	BUSH217		
3/8"	B	CGB3892 [Ⓞ]		0.125	0.250	0.500	N/A	0.540	1.313	1.000	1.125	BUSH92	BUSH92 HT	
3/8"	B	CGB3893 [Ⓞ]		0.250	0.375	0.500	N/A	0.540	1.313	1.000	1.125	BUSH93	BUSH93 HT	
3/8"	B	CGB3894 [Ⓞ]		0.375	0.500	0.500	N/A	0.540	1.313	1.000	1.125	BUSH94	BUSH94 HT	
1/2"	A	CGB114 [Ⓞ]	CGB114 SA [Ⓞ]	0.125	0.250	0.470	0.470	0.625	1.000	0.875	0.970	BUSH214		
1/2"	A	CGB116 [Ⓞ]	CGB116 SA [Ⓞ]	0.250	0.375	0.470	0.470	0.625	1.000	0.875	0.970	BUSH216		
1/2"	A	CGB117	CGB117 SA	0.375	0.437	0.470	0.470	0.625	1.000	0.875	0.970	BUSH217		
1/2"	B	CGB192 [Ⓞ]	CGB192 SA [Ⓞ]	0.125	0.250	0.625	0.630	0.710	1.313	1.130	1.230	BUSH92	BUSH92 HT	
1/2"	B	CGB193 [Ⓞ]	CGB193 SA [Ⓞ]	0.250	0.375	0.625	0.630	0.710	1.313	1.130	1.230	BUSH93	BUSH93 HT	
1/2"	B	CGB194	CGB194 SA	0.375	0.500	0.625	0.630	0.710	1.313	1.130	1.230	BUSH94	BUSH94 HT	RPE417-115
1/2"	B	CGB195	CGB195 SA	0.500	0.625	0.625	0.630	0.710	1.313	1.130	1.230	BUSH05	BUSH05 HT	RPE417-116
1/2"	C	CGB196	CGB196 SA	0.625	0.750	0.625	0.625	0.625	1.750	1.500	1.656	BUSH96		RPE417-117
1/2"	C	CGB197	CGB197 SA	0.750	0.875	0.625	0.625	0.625	1.750	1.500	1.656	BUSH97		RPE421-119
3/4"	B	CGB292 [Ⓞ]	CGB292 SA [Ⓞ]	0.125	0.250	0.690	0.690	0.625	1.375	1.060	1.230	BUSH92	BUSH92 HT	
3/4"	B	CGB293 [Ⓞ]	CGB293 SA [Ⓞ]	0.250	0.375	0.690	0.690	0.625	1.375	1.060	1.230	BUSH93	BUSH93 HT	
3/4"	B	CGB294	CGB294 SA	0.375	0.500	0.690	0.690	0.625	1.375	1.060	1.230	BUSH94	BUSH94 HT	RPE417-115
3/4"	B	CGB295	CGB295 SA	0.500	0.625	0.690	0.690	0.625	1.375	1.060	1.230	BUSH05	BUSH05 HT	RPE417-116
3/4"	C	CGB296	CGB296 SA	0.625	0.750	0.750	0.750	0.625	1.750	1.630	1.780	BUSH96		RPE417-117
3/4"	C	CGB297	CGB297 SA	0.750	0.875	0.750	0.750	0.625	1.750	1.630	1.780	BUSH97		RPE421-119
3/4"	D	CGB298	CGB298 SA	0.875	1.000	0.810	0.810	0.625	2.500	2.130	2.250	BUSH98		RPE421-120
1"	B	CGB393 [Ⓞ]	CGB393 SA [Ⓞ]	0.250	0.375	0.810	0.810	0.625	1.375	1.375	1.550	BUSH93	BUSH93 HT	
1"	B	CGB394	CGB394 SA	0.375	0.500	0.810	0.810	0.625	1.375	1.375	1.550	BUSH94	BUSH94 HT	RPE417-115
1"	C	CGB395	CGB395 SA	0.500	0.625	1.070	1.070	0.688	1.688	1.500	1.656	BUSH95	BUSH95 HT	RPE417-116
1"	C	CGB396	CGB396 SA	0.625	0.750	1.070	1.070	0.688	1.688	1.500	1.656	BUSH96		RPE417-117
1"	C	CGB397	CGB397 SA	0.750	0.875	1.070	1.070	0.688	1.688	1.500	1.656	BUSH97		RPE421-119
1"	C	CGB3239	CGB3239 SA	0.875	1.000	1.070	1.070	0.688	1.688	1.500	1.656	BUSH239		RPE421-120
1"	D	CGB398	CGB398 SA	0.875	1.000	1.030	1.030	0.830	2.375	2.130	2.250	BUSH98		RPE421-120
1"	D	CGB399	CGB399 SA	1.000	1.188	1.030	1.030	0.830	2.375	2.130	2.250	BUSH99		RPE421-121
1"	D	CGB3911	CGB3911 SA	1.188	1.375	1.030	1.030	0.830	2.375	2.130	2.250	BUSH911		RPE433-122
1 1/4"	D	CGB498	CGB498 SA	0.875	1.000	1.250	1.250	0.830	2.313	2.130	2.250	BUSH98		RPE421-120
1 1/4"	D	CGB499	CGB499 SA	1.000	1.188	1.250	1.250	0.830	2.313	2.130	2.250	BUSH99		RPE421-121
1 1/4"	D	CGB4911	CGB4911 SA	1.188	1.375	1.250	1.250	0.830	2.313	2.130	2.250	BUSH911		RPE433-122
1 1/4"	E	CGB4913		1.375	1.625	1.250	N/A	0.688	2.625	3.000 [Ⓟ]	-	BUSH913		RPE433-123
1 1/4"	E	CGB4915		1.625	1.875	1.250	N/A	0.688	2.625	3.000 [Ⓟ]	-	BUSH915		17317N
1 1/2"	D	CGB598	CGB598 SA	0.875	1.000	1.440	1.440	0.956	2.313	2.130	2.250	BUSH98		RPE421-120
1 1/2"	D	CGB599	CGB599 SA	1.000	1.188	1.440	1.440	0.956	2.313	2.130	2.250	BUSH99		RPE421-121
1 1/2"	D	CGB5911	CGB5911 SA	1.188	1.375	1.440	1.440	0.956	2.313	2.130	2.250	BUSH911		RPE433-122
1 1/2"	E	CGB5913		1.375	1.625	1.440	N/A	0.813	2.625	3.000 [Ⓟ]	-	BUSH913		RPE433-123
1 1/2"	E	CGB5915		1.625	1.875	1.440	N/A	0.813	2.625	3.000 [Ⓟ]	-	BUSH915		17317N
2"	E	CGB6913	CGB6913 SA	1.375	1.625	1.875	1.875	0.813	2.625	3.000 [Ⓟ]	-	BUSH913		RPE433-123
2"	E	CGB6915	CGB6915 SA	1.625	1.875	1.875	1.875	0.813	2.625	3.000 [Ⓟ]	-	BUSH915		17317N
2"	F	CGB6917		1.875	2.188	1.880	N/A	0.813	2.563	3.813 [Ⓟ]	-	BUSH917		17345N
2"	F	CGB6920		2.188	2.500	1.880	N/A	0.813	2.563	3.813 [Ⓟ]	-	BUSH920		16772N
2 1/2"	E	CGB7913	CGB7913 SA	1.375	1.625	2.060	2.060	1.000	2.625	3.125 [Ⓟ]	-	BUSH913		RPE433-123
2 1/2"	E	CGB7915	CGB7915 SA	1.625	1.875	2.060	2.060	1.000	2.625	3.125 [Ⓟ]	-	BUSH915		17317N
2 1/2"	F	CGB7917	CGB7917 SA	1.875	2.188	2.380	2.380	1.438	2.625	3.875 [Ⓟ]	-	BUSH917		17345N
2 1/2"	F	CGB7920		2.188	2.500	2.380	2.380	1.438	2.625	3.875 [Ⓟ]	-	BUSH920		16772N
3"	F	CGB8917 [Ⓞ]	CGB8917 SA	1.875	2.188	2.560	2.560	1.438	2.625	3.875 [Ⓟ]	-	BUSH917		17345N
3"	F	CGB8920	CGB8920 SA	2.188	2.500	2.560	2.560	1.438	2.625	3.875 [Ⓟ]	-	BUSH920		16772N

All dimensions in inches.

[Ⓟ] Maximum operating temperature of bushing only; glands UL Listed to -25°C to +40°C.

[Ⓞ] Not NEMA 4 or 4X rated.

[Ⓞ] Not available with optional sealing gasket and locknut.

Cable types:

Listed for use with:

- Flexible cords, including Type S, SO, STO, ST, SJ, SJT, SJTO and SVO
- Tray cable types TC, TC-ER, TC-ER-HL^A, ITC, ITC-ER, ITC-HL, PLTC and PLTC-ER cables



Features:

- Rugged, durable construction protects cords and cables from damage and compact design permits close grouping of several cords and/or cables
- Wire mesh grips available for added strain relief
- Available with NPT threads
- Standard neoprene bushing weatherproof seal on outer sheath of cable

Certifications and compliances:

- cULus Listed – UL File No. E23223
- Suitable for use in wet locations
- NEMA 4

Standard materials:

- Body – Feraloy iron alloy
- Gland nut – steel

Operating temperature:

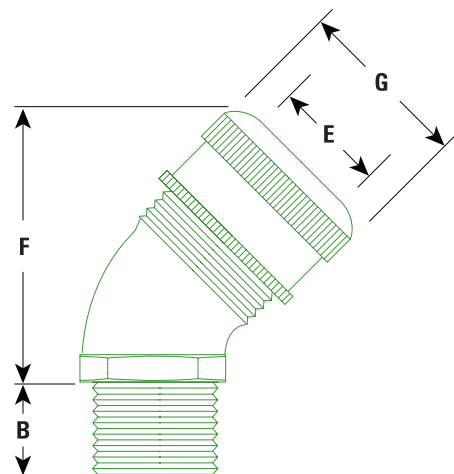
- -25°C to +40°C

Options:

Description

- Sealing gasket and locknut **SG**

Suffix



NPT thread size	Cat. #	Cable sealing range (E)		Dimensions			Replacement	Optional	
		Min.	Max.	B	F	G	Cat. # Neoprene bushing 80°C [Ⓢ]	Cat. # Silicone bushing 200°C [Ⓢ]	Cat. # Wire mesh grip
1/2"	CGD192 [Ⓢ]	0.125	0.250	0.630	1.830	1.140	BUSH92	BUSH92 HT	
1/2"	CGD193 [Ⓢ]	0.250	0.375	0.630	1.830	1.140	BUSH93	BUSH93 HT	
1/2"	CGD194	0.375	0.500	0.630	1.830	1.140	BUSH94	BUSH94 HT	RPE417-115
1/2"	CGD195	0.500	0.625	0.630	1.830	1.140	BUSH95	BUSH05 HT	RPE417-116
1/2"	CGD196	0.625	0.750	0.630	2.570	1.630	BUSH96		RPE417-117
1/2"	CGD197	0.750	0.875	0.630	2.570	1.630	BUSH97		RPE421-119
3/4"	CGD292 [Ⓢ]	0.125	0.250	0.630	1.940	1.140	BUSH92	BUSH92 HT	
3/4"	CGD293 [Ⓢ]	0.250	0.375	0.630	1.940	1.140	BUSH93	BUSH93 HT	
3/4"	CGD294	0.375	0.500	0.630	1.940	1.140	BUSH94	BUSH94 HT	RPE417-115
3/4"	CGD295	0.500	0.625	0.630	1.940	1.140	BUSH95	BUSH05 HT	RPE417-116
3/4"	CGD296	0.625	0.750	0.630	2.570	1.630	BUSH96		RPE417-117
3/4"	CGD297	0.750	0.875	0.630	2.570	1.630	BUSH97		RPE421-119

All dimensions in inches.

[Ⓢ]Type TC-ER-HL cable is rated for 600V nominal. Overall cable diameters are 25mm (1") or less.

[Ⓢ]Maximum operating temperature of bushing only; glands UL Listed to -25°C to +40°C.

[Ⓢ]Not NEMA 4 rated.

Cable types:

Listed for use with:

- Flexible cords, including Type S, SO, STO, ST, SJ, SJT, SJTO and SVO
- Tray cable types TC, TC-ER, TC-ER-HL^A, ITC, ITC-ER, ITC-HL, PLTC and PLTC-ER cables



Features:

- Rugged, durable construction protects cords and cables from damage and compact design permits close grouping of several cords and/or cables
- Wire mesh grips available for added strain relief
- Available with NPT threads
- Standard neoprene bushing weatherproof seal on outer sheath of cable

Certifications and compliances:

- cULus Listed – UL File No. E23223
- Suitable for use in wet locations
- NEMA 4

Standard materials:

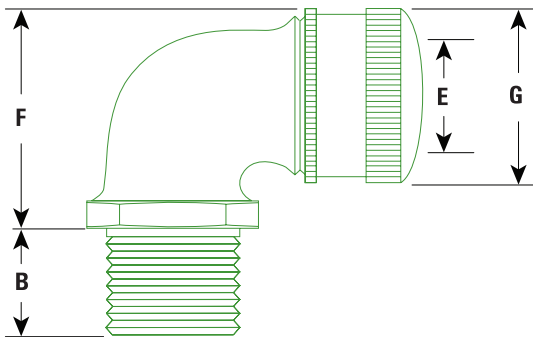
- Body – Feraloy iron alloy
- Gland nut – steel

Operating temperature:

- -25°C to +40°C

Options:

- | | |
|-----------------------------------|---------------|
| Description | Suffix |
| • Sealing gasket and locknut..... | SG |



NPT thread size	Cat. #	Cable sealing range (E)		Dimensions			Replacement	Optional	
		Min.	Max.	B	F	G	Cat. # Neoprene bushing 80°C ^B	Cat. # Silicone bushing 200°C ^B	Cat. # Wire mesh grip
1/2"	CGE192 ^C	0.125	0.250	0.710	2.160	1.140	BUSH92	BUSH92 HT	
1/2"	CGE193 ^C	0.250	0.375	0.710	2.160	1.140	BUSH93	BUSH93 HT	
1/2"	CGE194	0.375	0.500	0.710	2.160	1.140	BUSH94	BUSH94 HT	RPE417-115
1/2"	CGE195	0.500	0.625	0.710	2.160	1.140	BUSH05	BUSH05 HT	RPE417-116
1/2"	CGE196	0.625	0.750	0.710	2.090	1.630	BUSH96		RPE417-117
1/2"	CGE197	0.750	0.875	0.710	2.090	1.630	BUSH97		RPE421-119
3/4"	CGE292 ^C	0.125	0.250	0.720	1.600	1.140	BUSH92	BUSH92 HT	
3/4"	CGE293 ^C	0.250	0.375	0.720	1.600	1.140	BUSH93	BUSH93 HT	
3/4"	CGE294	0.375	0.500	0.720	1.600	1.140	BUSH94	BUSH94 HT	RPE417-115
3/4"	CGE295	0.500	0.625	0.720	1.600	1.140	BUSH95	BUSH05 HT	RPE417-116
3/4"	CGE296	0.625	0.750	0.710	1.930	1.630	BUSH96		RPE417-117
3/4"	CGE297	0.750	0.875	0.710	1.930	1.630	BUSH97		RPE421-119
1"	CGE395	0.500	0.625	0.620	2.170	1.630	BUSH95	BUSH95 HT	RPE417-116
1"	CGE396	0.625	0.750	0.620	2.170	1.630	BUSH96		RPE417-117
1"	CGE397	0.750	0.875	0.620	2.170	1.630	BUSH97		RPE421-119
1"	CGE3239	0.875	1.000	0.620	2.170	1.630	BUSH239		RPE421-120
1"	CGE398	0.875	1.000	0.630	2.710	2.370	BUSH98		16676N
1"	CGE399	1.000	1.188	0.630	2.710	2.370	BUSH99		RPE421-121
1"	CGE3911	1.188	1.375	0.630	2.710	2.370	BUSH911		RPE433-122

All dimensions in inches.

^AType TC-ER-HL cable is rated for 600V nominal. Overall cable diameters are 25mm (1") or less.

^BMaximum operating temperature of bushing only; glands UL Listed to -25°C to +40°C.

^CNot NEMA 4 rated.

Gland type:

- Non-armored

Cable type:

- Non-armored and tray cable

Features:

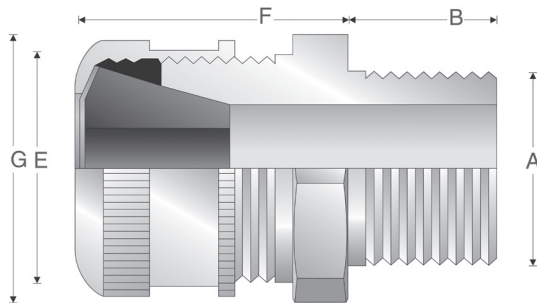
- Weatherproof seal on outer sheath of cable
- Standard neoprene seal suitable for use in operating temperatures -25°C to 40°C
- Available with NPT threads

Certifications and compliances:

- Suitable for use in Class I, Division 2 hazardous locations when installed in accordance with NEC501.10(B)(2)

Standard material:

- Form B-C bodies and gland nuts – turned steel
- Form D-G bodies and gland nuts – Feraloy iron alloy



Ordering information:



Entry thread size (A)

Cable acceptance outer sheath (E)

Replacement

NPT thread size	Cat. #	Form	NPT thread length (B)	Min.	Max.	Gland length less entry (F)	External diameter (G)	Cat. # Neoprene bushing 80°C
1/2"	CGFP192	B	0.750	0.125	0.250	1.375	1.281	BUSH92
1/2"	CGFP193	B	0.750	0.250	0.375	1.375	1.281	BUSH93
1/2"	CGFP194	B	0.750	0.375	0.500	1.375	1.281	BUSH94
1/2"	CGFP195	B	0.750	0.500	0.625	1.375	1.281	BUSH05
3/4"	CGFP296	C	0.750	0.625	0.750	1.750	1.781	BUSH96
3/4"	CGFP297	C	0.750	0.750	0.875	1.750	1.781	BUSH97
3/4"	CGFP2239	C	0.750	0.875	1.000	1.750	1.781	BUSH239
1"	CGFP396	C	0.938	0.625	0.750	1.750	1.781	BUSH96
1"	CGFP397	C	0.938	0.750	0.875	1.750	1.781	BUSH97
1"	CGFP3239	C	0.938	0.875	1.000	1.750	1.781	BUSH239
1 1/4"	CGFP499	D	0.938	1.000	1.188	2.375	2.250	BUSH99
1 1/4"	CGFP4911	D	0.938	1.188	1.375	2.375	2.250	BUSH911
1 1/2"	CGFP599	D	0.938	1.000	1.188	2.375	2.250	BUSH99
1 1/2"	CGFP5911	D	0.938	1.188	1.375	2.375	2.250	BUSH911
2"	CGFP6913	E	1.000	1.375	1.625	3.250	3.250	BUSH913
2"	CGFP6915	E	1.000	1.625	1.875	3.250	3.250	BUSH915
2 1/2"	CGFP7917	F	1.438	1.875	2.188	3.250	3.875	BUSH917
2 1/2"	CGFP7920	F	1.438	2.188	2.500	3.250	3.875	BUSH920
3"	CGFP8917	F	1.500	1.875	2.188	3.250	3.875	BUSH917
3"	CGFP8920	F	1.500	2.188	2.500	3.250	3.875	BUSH920
3 1/2"	CGFP923	G	1.563	2.500	3.000	4.250	5.500	BUSH923
3 1/2"	CGFP927	G	1.563	3.000	3.500	4.250	5.500	BUSH927
4"	CGFP1023	G	1.625	2.500	3.000	4.250	5.500	BUSH923
4"	CGFP1027	G	1.625	3.000	3.500	4.250	5.500	BUSH927

All dimensions in inches.