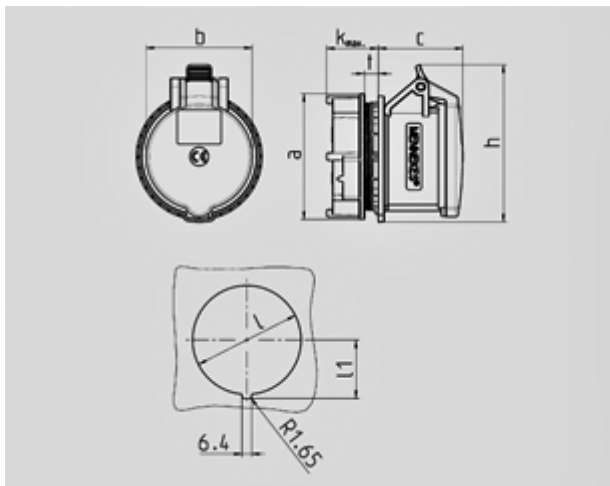


**Panel mounted socket RAPIDO® - Part no. 966**


- screw clamps
- suitable for through wiring
- for wall apertures 61 mm diameter
- central fixing

Protection type	IP 44
Ampere	16 A
Poles	3p
Voltage	230
Hertz	50-60Hz
Earth position	6h
Contact	standard
Connection technology	Screw terminals



Drawing	Amp.	16		
		3	4	5
1 MB 468	Poles			
Dim. in mm	a	69	69	69
	b	57	61	69
	c	55	55	52
	k	max. 30	max. 32	max. 32
	h	87	93	98
	l	61	61	61
	lt	33,25	33,25	33,25
	t	2-9	2-9	2-9
	Terminal for cond. cross section (mm <sup>2</sup> ) min.-max.		1,5	1,5
		—4	—4	—4