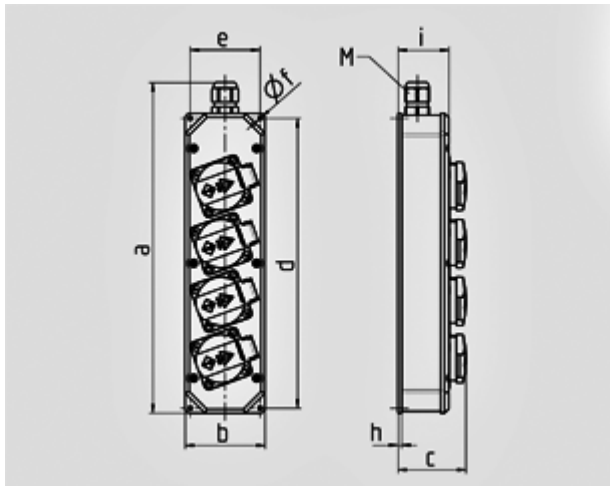


Socket strip - Part no. 88678


- pre-wired for installation
- enclosure grey RAL 7035
- enclosure and insert made of AMAPLAST
- hanging clip enclosed

Protection type IP 44
 Fitted with 4 SCHUKO® 16A, 230V
 insert tilted through 30°
 Connection/feeder cable for 1 cable up to 3 x 2.5 mm²
 Enclosure size 330 x 80 mm (H x W)



Drawing 1 MB 446		
Dim. in mm		
a		330
b		80
c		68
d		290
e		70
f		4,3
h		3,8
i		51
M		20