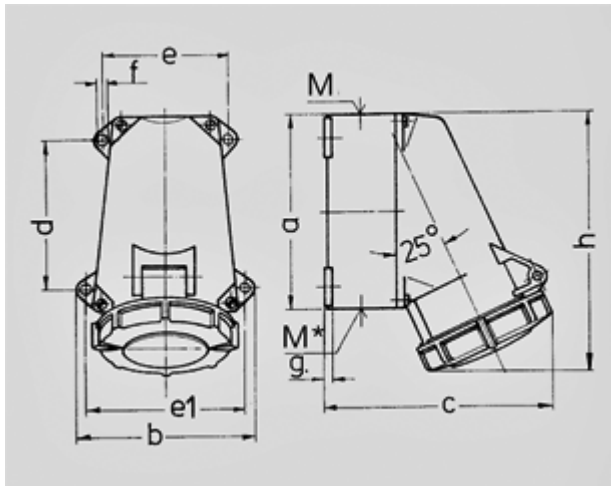


**Wall mounted socket - Part no. 1202**


- screw terminals
- four external fixing holes
- one cable entry at top and one blind cable entry (can be cut out) at bottom
- sockets are designed for adding an auxiliary contact switch

|                       |                 |
|-----------------------|-----------------|
| Protection type       | IP 67           |
| Ampere                | 32 A            |
| Poles                 | 3p              |
| Voltage               | 230             |
| Hertz                 | 50-60Hz         |
| Earth position        | 6h              |
| Contact               | standard        |
| Connection technology | Screw terminals |

Std. Pack. 10 Qty.



| Drawing           | Amp.   | 16                    |      |      | 32            |      |      |
|-------------------|--|-----------------------|------|------|---------------|------|------|
|                   |  | 3                     | 4    | 5    | 3             | 4    | 5    |
| <b>1 MB 219</b>   | <b>Poles</b>   |                       |      |      |               |      |      |
| <b>Dim. in mm</b> | <b>a</b>   | 95                    | 95   | 95   | 120           | 120  | 120  |
|                   | <b>b</b>   | 102                   | 102  | 102  | 112           | 112  | 112  |
|                   | <b>c</b>   | 115                   | 124  | 129  | 143           | 143  | 150  |
|                   | <b>d</b>   | 64,2                  | 64,2 | 64,2 | 90,2          | 90,2 | 90,2 |
|                   | <b>e</b>   | 77,5                  | 77,5 | 77,5 | 79            | 79   | 79   |
|                   | <b>e1</b>  | 88                    | 88   | 88   | 98,5          | 98,5 | 98,5 |
|                   | <b>f</b>   | 5,5                   | 5,5  | 5,5  | 5,5           | 5,5  | 5,5  |
|                   | <b>g</b>   | 5                     | 5    | 5    | 5             | 5    | 5    |
|                   | <b>h</b>   | 128                   | 128  | 132  | 160           | 160  | 160  |
|                   | <b>M</b>   | 25                    | 25   | 25   | 32            | 32   | 32   |
|                   | <b>M*</b>  | 25                    | 25   | 25   | M32 (blind)   |      |      |
|                   |  | (blind) to be cut out |      |      | to be cut out |      |      |
|                   | <b>Max. cable diam. (mm)</b>                                       | 15                    | 18   | 18   | 25            | 25   | 25   |
|                   | <b>Terminal for cond. cross section (mm<sup>2</sup>) min.-max.</b> | 1,5                   | 1,5  | 1,5  | 2,5           | 2,5  | 2,5  |
|                   |  | -4                    | -4   | -4   | -10           | -10  | -10  |