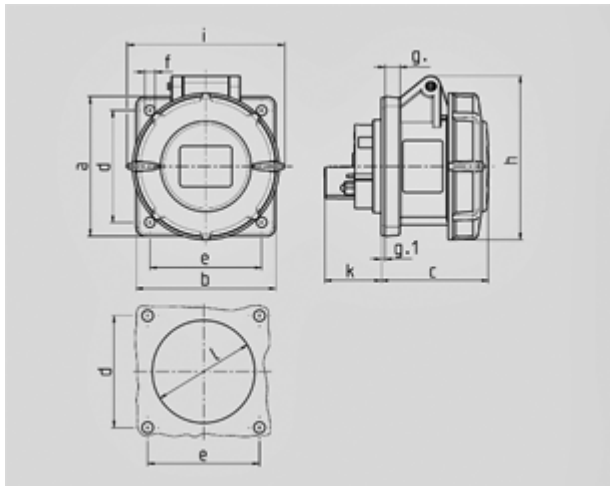


**Panel mounted socket - Part no. 222A**


- screw terminals
- straight

|                       |                 |
|-----------------------|-----------------|
| Protection type       | IP 67           |
| Ampere                | 16 A            |
| Poles                 | 4p              |
| Voltage               | 400             |
| Hertz                 | 50-60Hz         |
| Earth position        | 6h              |
| Contact               | standard        |
| Connection technology | Screw terminals |

Std. Pack. 10 Qty.



| Drawing           | Amp.   | 16  |     |     | 32  |     |     |
|-------------------|--|-----|-----|-----|-----|-----|-----|
|                   |  | 3   | 4   | 5   | 3   | 4   | 5   |
| <b>1 MB 141</b>   | <b>Poles</b>   |     |     |     |     |     |     |
| <b>Dim. in mm</b> | <b>a</b>   | 75  | 75  | 75  | 85  | 85  | 85  |
|                   | <b>b</b>   | 75  | 75  | 75  | 75  | 75  | 75  |
|                   | <b>c</b>   | 60  | 61  | 61  | 70  | 70  | 72  |
|                   | <b>d</b>   | 60  | 60  | 60  | 60  | 60  | 60  |
|                   | <b>e</b>   | 60  | 60  | 60  | 60  | 60  | 60  |
|                   | <b>f</b>   | 5.5 | 5.5 | 5.5 | 5.5 | 5.5 | 5.5 |
|                   | <b>g</b>   | 8   | 8   | 8   | 8   | 8   | 8   |
|                   | <b>g.1</b>   | 2   | 2   | 2   | 2   | 2   | 2   |
|                   | <b>h</b>   | 83  | 88  | 95  | 99  | 99  | 105 |
|                   | <b>i</b>   | 78  | 85  | 96  | 103 | 103 | 110 |
|                   | <b>k</b>   | 31  | 32  | 32  | 39  | 39  | 39  |
|                   | <b>l</b>   | 43  | 52  | 54  | 58  | 58  | 65  |
|                   | <b>Terminal for cond. cross section (mm<sup>2</sup>) min.-max.</b> | 1.5 | 1.5 | 1.5 | 2.5 | 2.5 | 2.5 |
|                   |  | -4  | -4  | -4  | -10 | -10 | -10 |