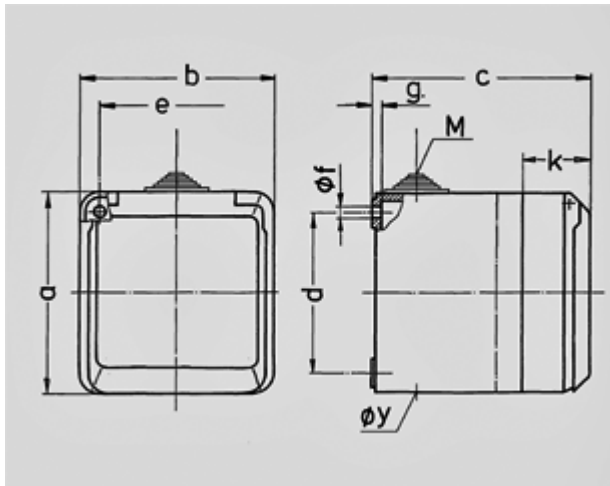


Cepex wall mounted socket - Part no. 4108


- screw terminals
- cable entry: 1 x M 25 with cable gland at top, 1 x M 25 to be cut out at the bottom, 1 x M 20 to be cut out at the back side, for cables 7 up to 13 mm Ø
- meeting DIN 18032 standards for ball rebound

Protection type IP 44
 Ampere 32 A
 Poles 4p
 Voltage 400
 Hertz 50-60Hz
 Earth position 6h

Std. Pack. 5 Qty.



| Drawing 1 MB 312 | Amp. Poles | 16 | | | 32 | | |
|---|---------------|--------|--------|--------|--------|--------|--------|
| | | 3 | 4 | 5 | 3 | 4 | 5 |
| Dim. in mm | a | 93 | 93 | 93 | 93 | 93 | 93 |
| | b | 90 | 90 | 90 | 90 | 90 | 90 |
| | c | 87 | 87 | 87 | 99 | 99 | 99 |
| | d | 75 | 75 | 75 | 75 | 75 | 75 |
| | e | 73 | 73 | 73 | 73 | 73 | 73 |
| | f | 5,5 | 5,5 | 5,5 | 5,5 | 5,5 | 5,5 |
| | g | 4,2 | 4,2 | 4,2 | 4,2 | 4,2 | 4,2 |
| | k | 33 | 33 | 33 | 33 | 33 | 33 |
| | y | 25,5 | 25,5 | 25,5 | 25,5 | 25,5 | 25,5 |
| | M | 25x1,5 | 25x1,5 | 25x1,5 | 25x1,5 | 25x1,5 | 25x1,5 |
| Terminal for cond. cross section (mm ²) min.-max. | | 1,5 —4 | 1,5 —4 | 1,5 —4 | 2,5 —6 | 2,5 —6 | 2,5 —6 |