



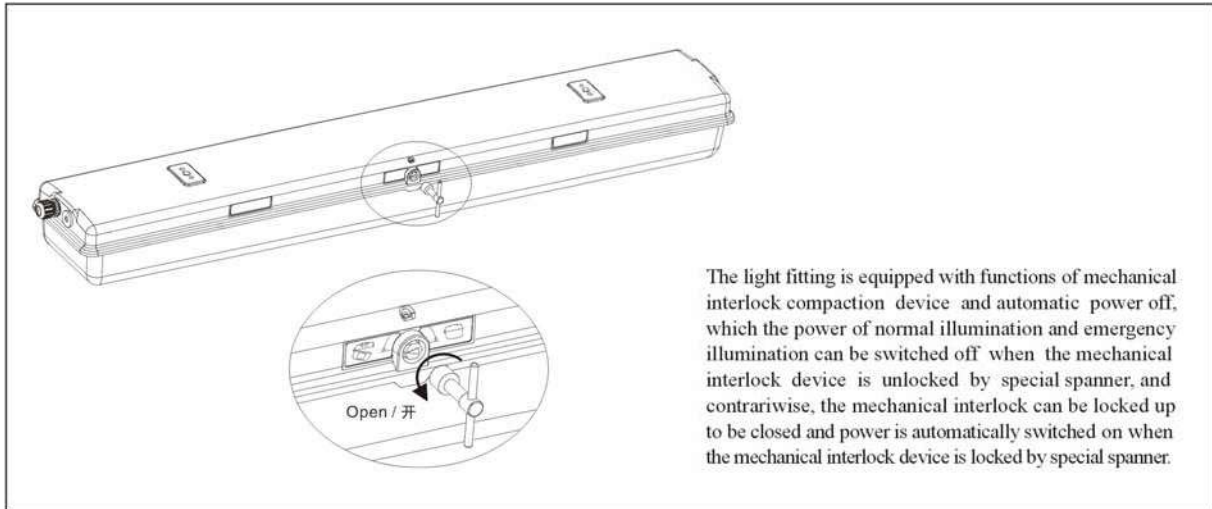
### Descriptions:

The enclosures of full plastic explosion-proof ( emergency ) fluorescent light fittings (pole mounting) are manufactured by glass fiber reinforced polyester and the transparent parts are manufactured by anti-ultraviolet polycarbonate. They have good protection ability from various chemical matters in factories or offshore platform because of high stability and mechanical strength. The material of the light fitting used can prevent from being corroded effectively. The sealing bars between the enclosure and transparent parts are compacted by the interlock device. The isolation switches are operated by the interlock devices. When the isolation switch is switched off, the covers can be opened. The explosion-proof electronic ballast, explosion-proof isolation switch, explosion-proof lampholder and explosion-proof terminals etc are mounted inside of the full plastic explosion-proof fluorescent light fittings (pole mounting).

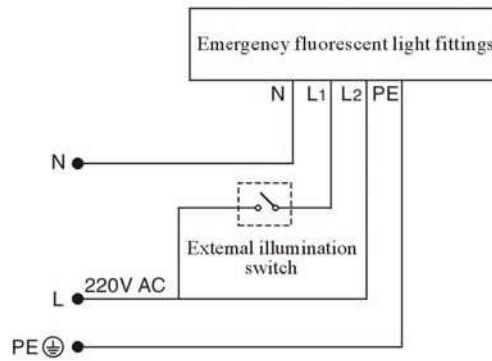
The explosion-proof electronic ballast, explosion-proof inverter, explosion-proof fuse, explosion-proof indicator lamp, and high temperature resistance explosion-proof battery etc. are mounted inside of the full plastic explosion-proof emergency fluorescent light fittings .The light fitting can be automatically recharging while normal working, so that the lamp tube will turn on automatically when the power loses because of accident or power failure.

- ▶ Full plastic explosion-proof fluorescent light fittings mounting ways: Ceiling type, chain type, pendant type, wall type and clamp type.
- ▶ Full plastic explosion-proof fluorescent light fittings mounting ways: Platform fence type, platform flange type, street lamp type.
- Standard two-supply circuit design and EOL switching off function design when the life of the lamp tube is end;
- The structural design is never distortion and its protection degree is up to IP66.
- Equipped with the mechanical interlocking device and explosion-proof distance switch of II C class to enable the power off automatically when the diffuser is uncovered.
- With interlock device, the transparent parts and enclosure can not energize to work to ensure safe use before completely sealing.
- The explosion-proof ballast and explosion-proof inverter are certified separately ;
- The explosion-proof ballast is equipped with the protective functions of open circuit, short circuit and abnormality of lamp tube;
- The emergency type has the indication of fault signal, the charging signal, the discharging signal.
- International IECEx Approval, Europe union ATEX Approval.

• Diagram:

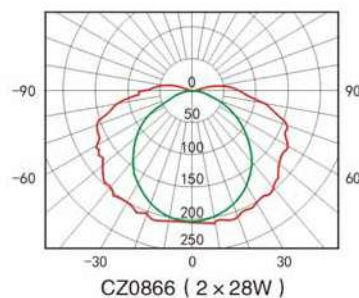
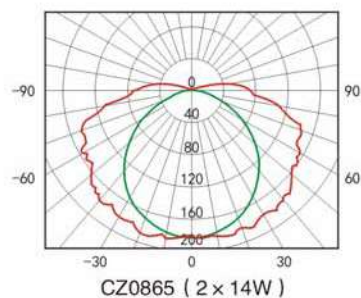
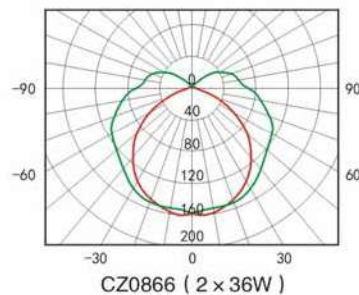
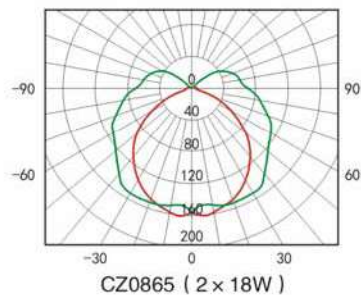


• Mounting circuit diagram for emergency light fittings:



• Luminous intensity distribution curve: — C0/180  
— C90/270

Luminous intensity unit: cd/1000 lm



Zone 1 and zone 2

Zone 21 and zone 22

G

- Diagram:



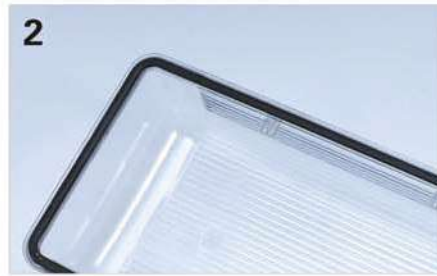
G



- Product characteristics:



Explosion-proof lampholder of Ex e II (Two-pin) G5, G13.



The Ex e enclosure is has the foaming sealing ring to ensure the protection degree is IP66.



The reliable service quality and security of the electrical apparatus is guaranteed by the explosion-proof ballast module.



The enclosure and transparent shield are pressed tightly and drive the switching off and interlocking function of explosion-proof distance switch by unlocking device through interlock mechanism.



Explosion-proof terminal module of Ex e II.



The explosion-proof distance switch module of Ex de IIC is operated by interlocking device and the enclosure can only be opened when the switch is off.



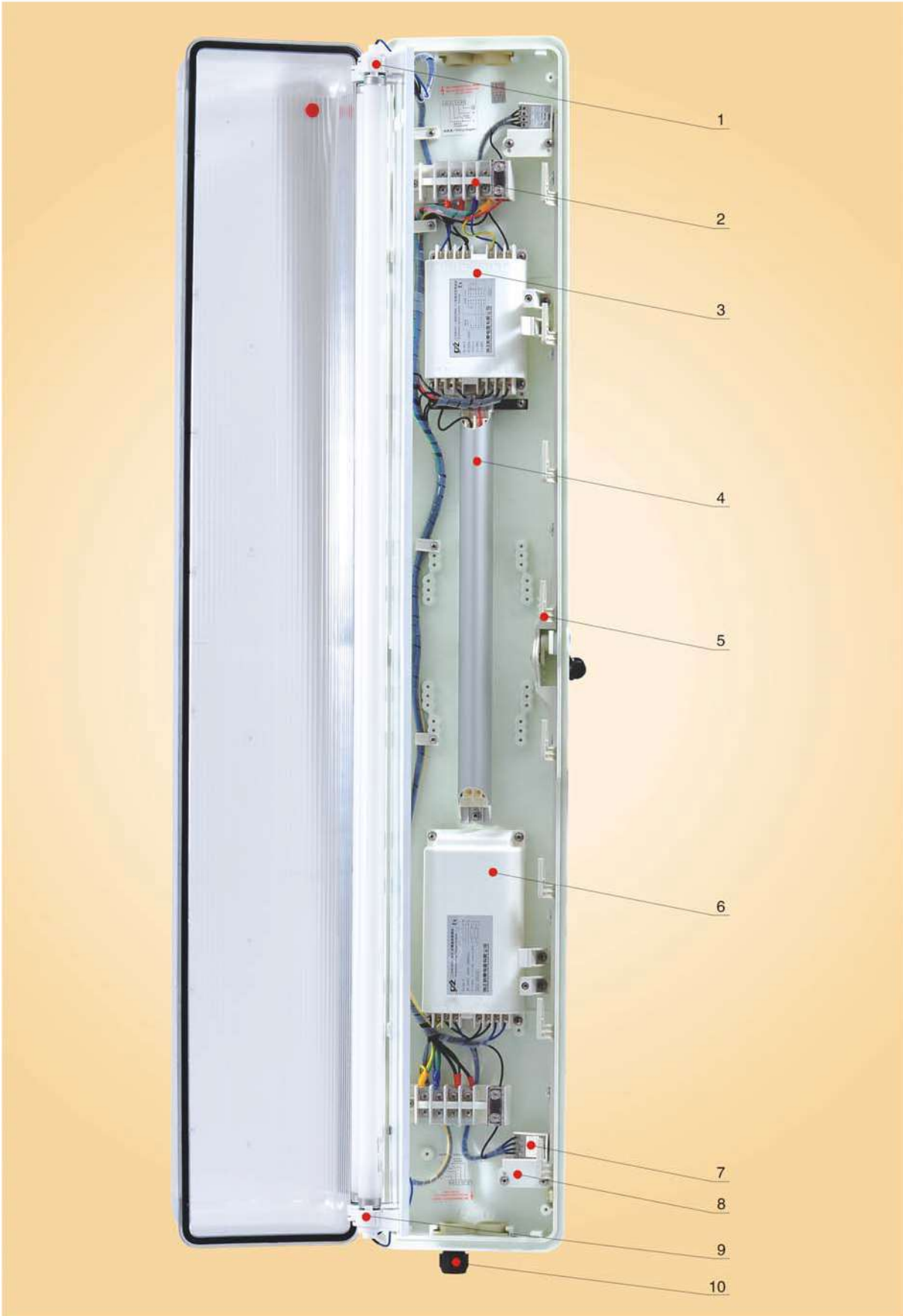
With interlock device, it can't be energized when the transparent shield and enclosure are not closed or sealed completely to ensure the security of use.



IECEx, ATEX certified cable gland and stopping plug of Ex e II



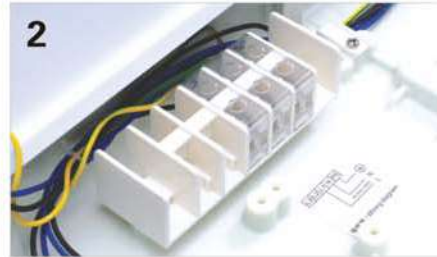
- Diagram:



• Product characteristics:



Explosion-proof lampholder of Ex e II (Two-pin) G5, G13.



Explosion-proof terminal module of Ex e II.



The reliable service quality and security of the electrical apparatus is guaranteed by the explosion-proof inverter module.



The explosion-proof battery module is thermostable and high-capacity.



The enclosure and transparent shield are pressed tightly and drive the switching off and interlocking function of explosion-proof distance switch by unlocking device through interlocking mechanism



The reliable service quality and security of the electrical apparatus is guaranteed by the explosion -proof ballast module.



The explosion-proof distance switch module of Ex de IIC is operated by interlocking device and the enclosure can only be opened when the switch is off.



With interlocking device, it can't be energized when the transparent shield and enclosure are not closed or sealed completely to ensure the security of use.



The explosion-proof emergency signal lamp module and three kinds of signal indicators.



IECEx, ATEX certified cable gland and stopping plug of Ex e II.





- Main technical data:

Certification | Ex mark | Meet the standard

China (PCEC Ex)	Ex deq II C T4 Gb	DIP A21 TA, T6 (Product without fuse)	GB3836 GB12476
China (PCEC Ex)	Ex deqmb II C T4 Gb	DIP A21 TA, T6 (Product with fuse)	GB3836 GB12476
IECEX	Ex deq II C T4 Gb	Ex tD A21 T 80°C (Product without fuse)	IEC60079
IECEX	Ex deqmb II C T4 Gb	Ex tD A21 T 80°C (Product with fuse)	IEC60079
ATEX	Ex II 2GD	Ex deq II C T4 Gb Ex tD A21 T 80°C (Product without fuse)	EN60079
ATEX	Ex II 2GD	Ex deqmb II C T4 Gb Ex tD A21 T 80°C (Product with fuse)	EN60079

Intended use: Can be used in zone 1 and zone 2, Can be used in zone 21 and zone 22

Ambient temperature use:  $-25^{\circ}\text{C} \leq T_a \leq 40^{\circ}\text{C}$

Degree of protection: IP66

Rated voltage: 110 ~ 240V AC ( $\pm 10\%$ ) 50/60Hz

Power factor:  $\lambda > 0.98$

Energy efficiency index EEI=A2



Terminals: L, N, PE, each terminal  $2 \times 1.5-10\text{mm}^2$

Cable entry: Moulded plastic  $1 \times M25 \times 1.5$  cable gland,

Outside diameter of cable:  $\Phi 8-17\text{mm}$

Moulded plastic  $2 \times M25 \times 1.5$  stopping plugs

- Order specifications:

Illustration	Light source code	Lamp tube	Power	Current	Weight	Order No.
	G5 Two-pin lampholder	T5 Type	2 × 14W	Max 0.16A	5kg	CZ0865 / 2 × 14W-1-B+□
			2 × 28W	Max 0.33A	7.9kg	CZ0866 / 2 × 28W-1-B+□
	G13 Two-pin lampholder	T8 Type	2 × 18W	Max 0.2A	5kg	CZ0865 / 2 × 18W-1-B+□
			2 × 36W	Max 0.39A	7.9kg	CZ0866 / 2 × 36W-1-B+□

Code of cable gland ←

Order No. of mounting accessories (No matching not noted), see page 63 ←

- Code of cable gland

Code	Specifications	Cable diameter
B	One moulded plastic $M25 \times 1.5$ cable gland, two moulded plastic $M25 \times 1.5$ stopping plugs	$\Phi 8-17\text{mm}$
C	One brass CZ0221/ $M25 \times 1.5$ metal cable gland, two moulded plastic $M25 \times 1.5$ stopping plugs	$\Phi 8-17\text{mm}$
D	Two moulded plastic $M25 \times 1.5$ cable glands, one moulded plastic $M25 \times 1.5$ stopping plug	$\Phi 8-17\text{mm}$
E	Two brass CZ0221/ $M25 \times 1.5$ metal cable glands, one moulded plastic $M25 \times 1.5$ stopping plug	$\Phi 8-17\text{mm}$
F	One brass CZ0227/ $M25 \times 1.5-G^{3/4}$ increase safety metal cable gland, two moulded plastic $M25 \times 1.5$ stopping plugs	$\Phi 11-15\text{mm}$
G	Two brass CZ0227/ $M25 \times 1.5-G^{3/4}$ increase safety metal cable glands, one moulded plastic $M25 \times 1.5$ stopping plug	$\Phi 11-15\text{mm}$
H	One brass CZ0226/ $M25 \times 1.5(G02)$ increase safety metal cable gland (stopping boxes), two moulded plastic $M25 \times 1.5$ stopping plugs	$\Phi 11.5-16\text{mm}$
I	Two brass CZ0226/ $M25 \times 1.5(G02)$ increase safety metal cable glands (stopping boxes), one moulded plastic $M25 \times 1.5$ stopping plug	$\Phi 11.5-16\text{mm}$



- Main technical data:

Certification | Ex mark | Meet the standard

China (PCEC Ex)	Ex deq II C T4 Gb	DIP A21 TA, T6 (Product without fuse)	GB3836 GB12476
China (PCEC Ex)	Ex deqmb II C T4 Gb	DIP A21 TA, T6 (Product with fuse)	GB3836 GB12476

Intended use: Can be used in zone 1 and zone 2, Can be used in zone 21 and zone 22

Ambient temperature use:  $-25^{\circ}\text{C} \leq T_a \leq 40^{\circ}\text{C}$

Degree of protection: IP66

Rated voltage: 110 ~ 240V AC ( $\pm 10\%$ ) 50/60Hz

Power factor:  $\lambda > 0.98$



Energy efficiency index EEI=A2


Terminals: L, N, PE, each terminal  $2 \times 1.5\text{-}10\text{mm}^2$

Cable entry: Moulded plastic  $1 \times \text{M}25 \times 1.5$  cable gland,

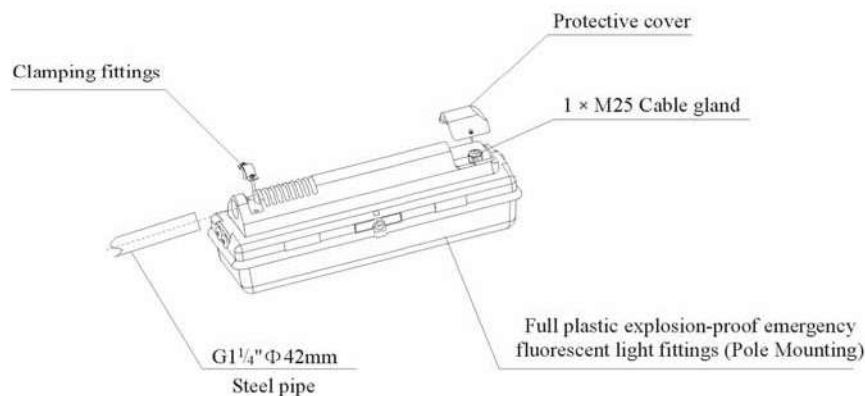
Outside diameter of cable:  $\Phi 8\text{-}17\text{mm}$

- Order specifications:

Illustration	Light source code	Lamp tube	Power	Current	Weight	Order No.
	G5 Two-pin lampholder	T5 Type	$2 \times 14\text{W}$	Max 0.16A	6.7kg	<b>CZ0865 / 2 x 14W-1-PM+</b> <input type="checkbox"/>
			$2 \times 28\text{W}$	Max 0.33A	9.6kg	<b>CZ0866 / 2 x 28W-1-PM+</b> <input type="checkbox"/>
	G13 Two-pin lampholder	T8 Type	$2 \times 18\text{W}$	Max 0.2A	6.7kg	<b>CZ0865 / 2 x 18W-1-PM+</b> <input type="checkbox"/>
			$2 \times 36\text{W}$	Max 0.39A	9.6kg	<b>CZ0866 / 2 x 36W-1-PM+</b> <input type="checkbox"/>

Order No. of mounting accessories  (No matching not noted), see page 63

- Diagram:







- Main technical data:

**Certification | Ex mark | Meet the standard**

China (PCEC Ex)	Ex deqmb IIC T4 Gb DIP A21 Ta, T6	GB3836 GB12476
IECEX	Ex deqmb IIC T4 Gb Ex tD A21 T 80°C	IEC60079
ATEX	Ex II 2GD Ex deqmb IIC T4 Gb Ex tD A21 T 80°C	EN60079

Intended use: Can be used in zone 1 and zone 2, Can be used in zone 21 and zone 22

Ambient temperature use:  $-25^{\circ}\text{C} < \text{Ta} < 40^{\circ}\text{C}$

Degree of protection: IP66

Rated voltage: 110 ~ 240V AC(  $\pm 10\%$  ) 50/60Hz

Power factor:  $\lambda > 0.98$

Energy efficiency index EEI=A2

Recharging time: 24 h

Emergency starting time: 0.1 (S)

Emergency illuminating time:  $> 120$  (min)



Terminals: L1, L2, L, N, PE, each terminal  $2 \times 1.5\text{-}10\text{mm}^2$

Cable entry: Moulded plastic  $1 \times \text{M}25 \times 1.5$  cable gland,

Outside diameter of cable:  $\Phi 8\text{-}17\text{mm}$

Moulded plastic  $2 \times \text{M}25 \times 1.5$  stopping plugs

- Order specifications:

Illustration	Code of lampholder	Lamp tube	Normal illumination	Emergency illumination	Weight	Order No.
	G5 Two-pin lampholder	T5 Type	$2 \times 14\text{W}$	$1 \times 14\text{W}$	6.8kg	<b>CZ0865 / <math>2 \times 14\text{W-}1 \text{ YJ-B+}</math></b> <input type="checkbox"/>
			$2 \times 28\text{W}$	$1 \times 28\text{W}$	9.9kg	<b>CZ0866 / <math>2 \times 28\text{W-}1 \text{ YJ-B+}</math></b> <input type="checkbox"/>
	G13 Two-pin lampholder	T8 Type	$2 \times 18\text{W}$	$1 \times 18\text{W}$	6.8kg	<b>CZ0865 / <math>2 \times 18\text{W-}1 \text{ YJ-B+}</math></b> <input type="checkbox"/>
			$2 \times 36\text{W}$	$1 \times 36\text{W}$	9.9kg	<b>CZ0866 / <math>2 \times 36\text{W-}1 \text{ YJ-B+}</math></b> <input type="checkbox"/>

Code of cable gland ←

Order No. of mounting accessories ←  
(No matching not noted), see page 63

- Code of cable gland

Code	Specifications	Cable diameter
B	One moulded plastic $\text{M}25 \times 1.5$ cable gland, two moulded plastic $\text{M}25 \times 1.5$ stopping plugs	$\Phi 8\text{-}17\text{mm}$
C	One brass CZ0221/ $\text{M}25 \times 1.5$ metal cable gland, two moulded plastic $\text{M}25 \times 1.5$ stopping plugs	$\Phi 8\text{-}17\text{mm}$
D	Two moulded plastic $\text{M}25 \times 1.5$ cable glands, one moulded plastic $\text{M}25 \times 1.5$ stopping plug	$\Phi 8\text{-}17\text{mm}$
E	Two brass CZ0221/ $\text{M}25 \times 1.5$ metal cable glands, one moulded plastic $\text{M}25 \times 1.5$ stopping plug	$\Phi 8\text{-}17\text{mm}$
F	One brass CZ0227/ $\text{M}25 \times 1.5\text{-G}^{3/4}$ increasd safety metal cable gland, two moulded plastic $\text{M}25 \times 1.5$ stopping plugs	$\Phi 11\text{-}15\text{mm}$
G	Two brass CZ0227/ $\text{M}25 \times 1.5\text{-G}^{3/4}$ increasd safety metal cable glands, one moulded plastic $\text{M}25 \times 1.5$ stopping plug	$\Phi 11\text{-}15\text{mm}$
H	One brass CZ0226/ $\text{M}25 \times 1.5(\text{G}02)$ increasd safety metal cable gland (stopping boxes), two moulded plastic $\text{M}25 \times 1.5$ stopping plugs	$\Phi 11.5\text{-}16\text{mm}$
I	Two brass CZ0226/ $\text{M}25 \times 1.5(\text{G}02)$ increasd safety metal cable glands (stopping boxes), one moulded plastic $\text{M}25 \times 1.5$ stopping plug	$\Phi 11.5\text{-}16\text{mm}$



• Main technical data:

Certification | Ex mark | Meet the standard

China (PCEC Ex) Ex deqmb II C T4 Gb DIP A21 TA, T6

GB3836 GB12476

Intended use: Can be used in zone 1 and zone 2, Can be used in zone 21 and zone 22

Ambient temperature use:  $-25^{\circ}\text{C} < \text{Ta} < 40^{\circ}\text{C}$

Degree of protection: IP66

Rated voltage: 110 ~ 240V AC ( $\pm 10\%$ ) 50/60Hz

Power factor:  $\lambda > 0.98$

Energy efficiency index EEI=A2

Recharging time: 24 h

Emergency starting time: 0.1 (S)

Emergency illuminating time:  $> 120$  (min)

Terminals: L1, L2, L, N, PE, each terminal  $2 \times 1.5\text{-}10\text{mm}^2$

Cable entry: Moulded plastic  $1 \times \text{M}25 \times 1.5$  cable gland,

Outside diameter of cable:  $\Phi 8\text{-}17\text{mm}$

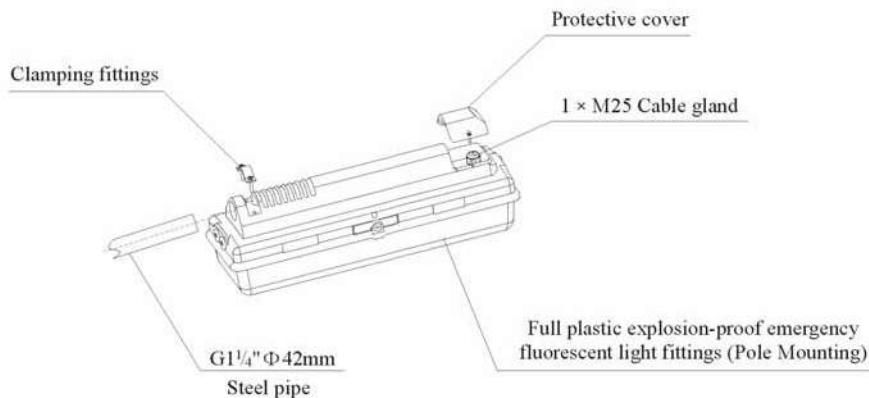
• Order specifications:

Illustration	Code of lampholder	Lamp tube	Normal illumination	Emergency illumination	Weight	Order No.
	G5 Two-pin lampholder	T5 Type	2 × 14W	1 × 14W	8.5kg	<b>CZ0865 / 2 × 14W-1 YJ-PM+</b> □
			2 × 28W	1 × 28W	11.6kg	<b>CZ0866 / 2 × 28W-1 YJ-PM+</b> □
	G13 Two pin lampholder	T8 Type	2 × 18W	1 × 18W	8.5kg	<b>CZ0865 / 2 × 18W-1 YJ-PM+</b> □
			2 × 36W	1 × 36W	11.6kg	<b>CZ0866 / 2 × 36W-1 YJ-PM+</b> □

Order No. of mounting accessories (No matching not noted), see page 63


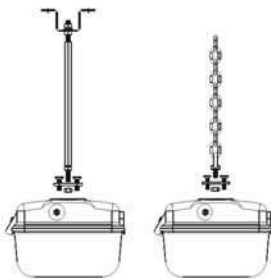

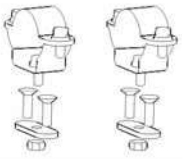
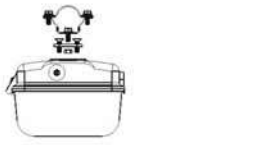



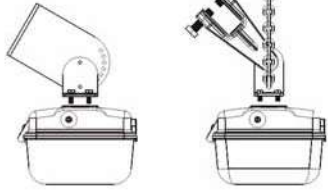
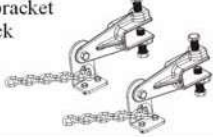












• Diagram:




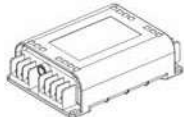
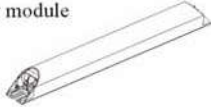



• Accessories of mounting:

Illustration	Descriptions	Unit	Order No.
Accessories for pendant type 		Set	<b>D622</b>
Accessories for chain type 		Set	<b>D623</b>
Accessories for clamp type M8 bolt mounting 		G1 1/4" Φ42mm Steel	Set <b>J200</b>
		G1 1/4" Φ42mm Stainless steel	Set <b>J200/304</b>
		G1 1/2" Φ48mm Steel	Set <b>J300</b>
		G1 1/2" Φ48mm Stainless steel	Set <b>J300/304</b>
		G2" Φ60mm Steel	Set <b>J400</b>
		G2" Φ60mm Stainless steel	Set <b>J400/304</b>
Support for ceiling type 		Steel	Set <b>D621</b>
		Stainless steel	Set <b>D621/304</b>
Adjustable mounting bracket 		Set	<b>D8738</b>
Mounting bracket of oil derrick 		Set	<b>D8730/1</b>
Lamp pole of wall type 	Used for CZ0865 fluorescent light fittings	Set	<b>D8709/1A</b>
	Used for CZ0866 fluorescent light fittings	Set	<b>D8709/2A</b>
Lamp pole of fence type 	Used for CZ0865 fluorescent light fittings	Set	<b>D8710/1A</b>
	Used for CZ0866 fluorescent light fittings	Set	<b>D8710/2A</b>
Lamp pole of flange type 	Used for CZ0865 fluorescent light fittings	Set	<b>D8711/1A</b>
	Used for CZ0866 fluorescent light fittings	Set	<b>D8711/2A</b>
Wall mounting bracket of pole type 	 Use for pole mounting fluorescent light fittings	Set	<b>D8739</b>
Lamp pole of fence type 	Use for pole mounting fluorescent light fittings	Set	<b>D8740</b>
Lamp pole of flange type 		Set	<b>D8741</b>
Lamp pole of fence type 		Set	<b>D8705</b>
Lamp pole of flange type 		Set	<b>D8706</b>
Mounting bracket 	Used for CZ0865 fluorescent light fittings	Set	<b>D8742/1</b>
	Used for CZ0866 fluorescent light fittings	Set	<b>D8742/2</b>

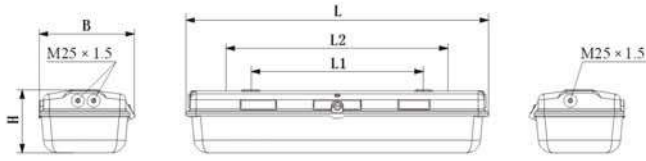


- Spare parts:

Illustration	Descriptions	Unit	Order No.	
Earthing nut 	Metal earthing nut 2-M25 × 1.5	Set	D8714/2-M25	
Explosion-proof fuse module 	Type of protection: Ex emb IIC Gb	0.2A	Piece	CZ0804 / T0.2A
		0.4A	Piece	CZ0804 / T0.4A
		0.8A	Piece	CZ0804 / T0.8A
		5A	Piece	CZ0804 / T5A
Explosion-proof isolation switch module 	Type of protection: Ex de IIC, Contact: 2NC (2NC)	Piece	CZ0207-1	
With conductor terminal board 	3P terminal, Conductor 3 × 2.5mm <sup>2</sup> , max16A, L1+N+PE	14W/18W	Set	305/21
		28W/36W	Set	305/22
	4P terminal, Conductor 3 × 2.5mm <sup>2</sup> , max16A, L1+L2+N+PE	14W/18W	Set	305/31
		28W/36W	Set	305/32
Explosion-proof lampholder Type of protection: Ex e II 	Explosion-proof G5 lampholder, used for T5 fluorescent lamp tube of energy saving type	Piece	CZ0403/G5	
	Explosion-proof G13 lampholder, used for T8 fluorescent lamp tube of energy saving type	Piece	CZ0403/G13	
Explosion-proof ballast module   Type of protection: Ex eq II Gb	Power: 2 × 14W, Used for T5 energy saving type fluorescent light fittings	AC110-240V	Piece	CZ0818/2 × 14W-1
	Power: 2 × 28W, Used for T5 energy saving type fluorescent light fittings	AC110-240V	Piece	CZ0818/2 × 28W-1
	Power: 2 × 18W, Used for T8 energy saving type fluorescent light fittings	AC110-240V	Piece	CZ0818/2 × 18W-1
	Power: 2 × 36W, Used for T8 energy saving type fluorescent light fittings	AC110-240V	Piece	CZ0818/2 × 36W-1
Explosion-proof inverter module Type of protection: Ex eq II Gb 	Emergency power: 1 × 18W, 1 × 14W	AC110-240V	Piece	CZ0818/1 × 18W(14W)-1 YJ
	Emergency power: 1 × 36W, 1 × 28W	AC110-240V	Piece	CZ0818/1 × 36W(28W)-1 YJ
Explosion-proof battery module 	Type of protection: Ex e II, 4.5Ah/6V	Set	CZ0819/4.5Ah 6V	
	Type of protection: Ex e II, 4.5Ah/7.2V	Set	CZ0819/4.5Ah 7.2V	
Explosion-proof emergency indicator module 	Type of protection: Ex mb II Gb Three colors for LED: red, yellow, green	Set	CZ0802/1	
M8/SW13 Sleeve spanner 	Used for CZ0865, CZ0866, Material: Fine quality steel with galvanized surface	Set	D601	

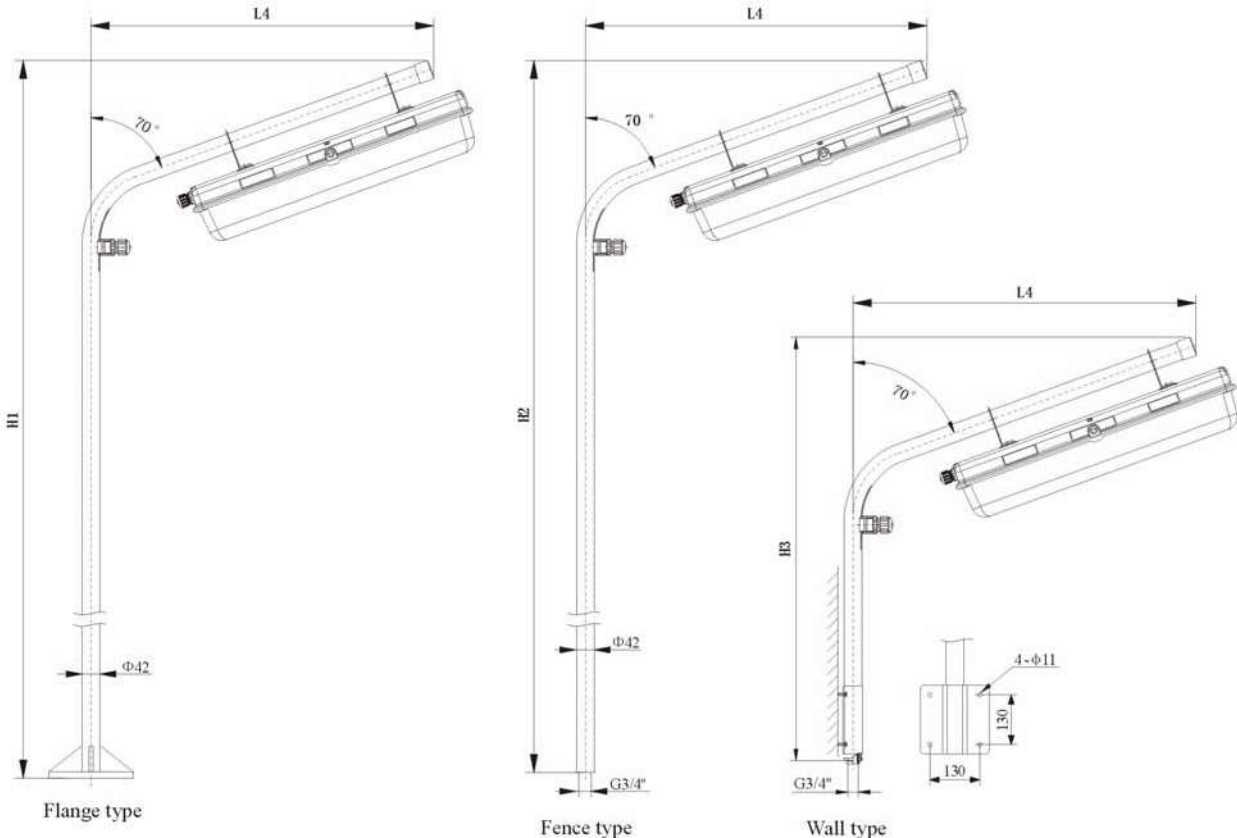
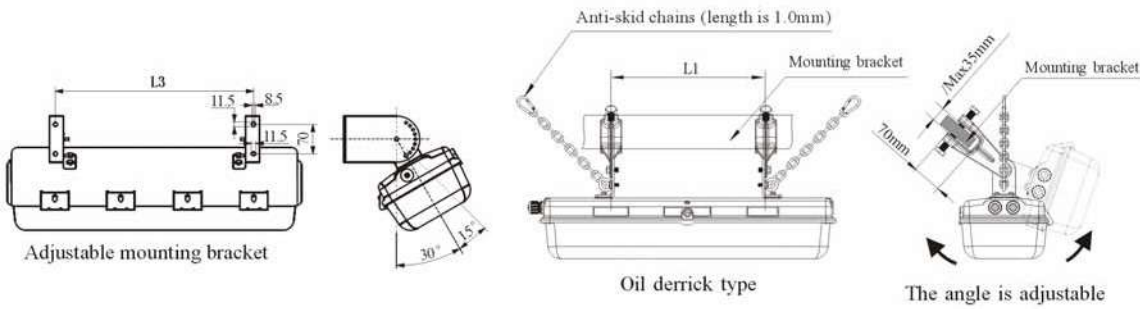
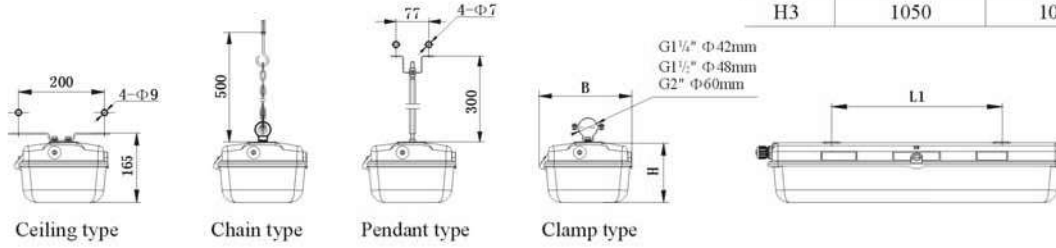


● Mounting ways and outline dimensions:

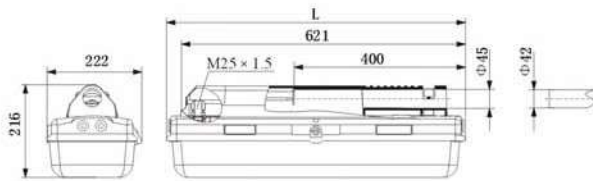
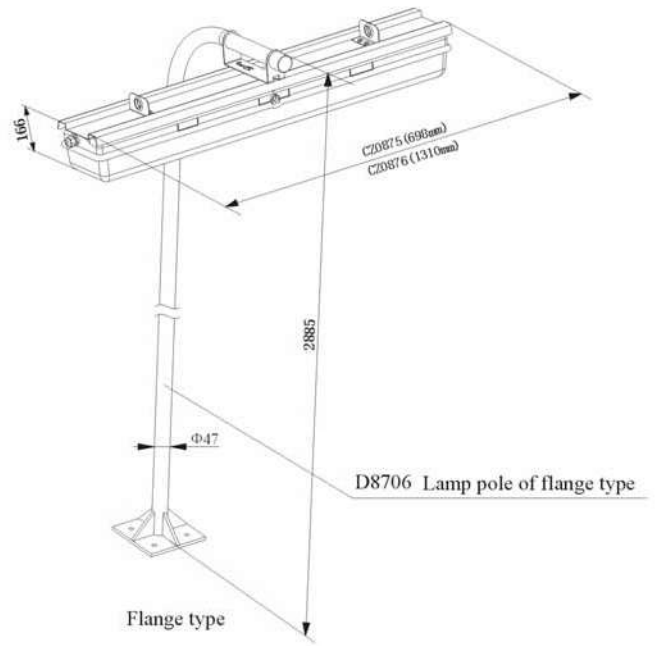
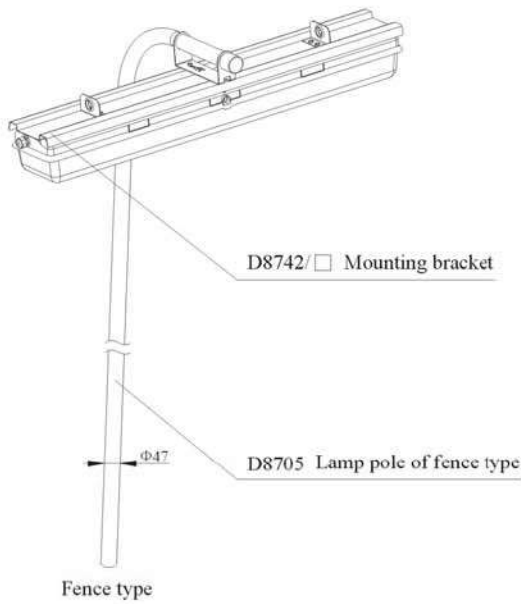


Full plastic explosion-proof (emergency) fluorescent light fittings

Type	CZ0865 2×14W(18W)	CZ0866 2×28W(36W)
L	698	1310
L1	400	800
L2	550	1100
L3	470	870
L4	800	1300
B	222	222
H	145	145
H1	2510	2510
H2	2500	2500
H3	1050	1050



- Mounting ways and outline dimensions:



Type	L	L1	L2	H1	H2
CZ0865/2×14W(18W)	698	850	815	2635	2645
CZ0866/2×28W(36W)	1310	1440	1405	2740	2750

Full plastic explosion-proof (emergency) fluorescent light fittings (Pole Mounting)

