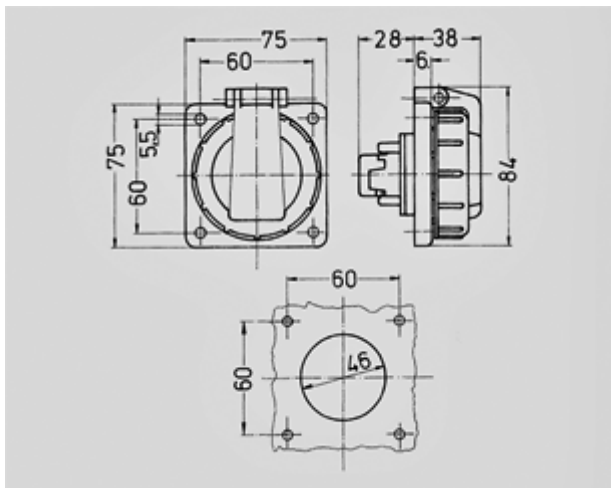


Panel mounted socket SCHUKO® - Part no. 10808

- screw terminals
- hinged bayonet lock lid
- rectangular flange
- connecting protective caps, part no. 19027706, available on request

Protection type	IP 68
Ampere	16 A
Poles	2p+E
Voltage	230
Contact	standard
Connection technology	Screw terminals

Std. Pack. 10 Qty.

**Drawing
1 MB 299****Dim. in mm**