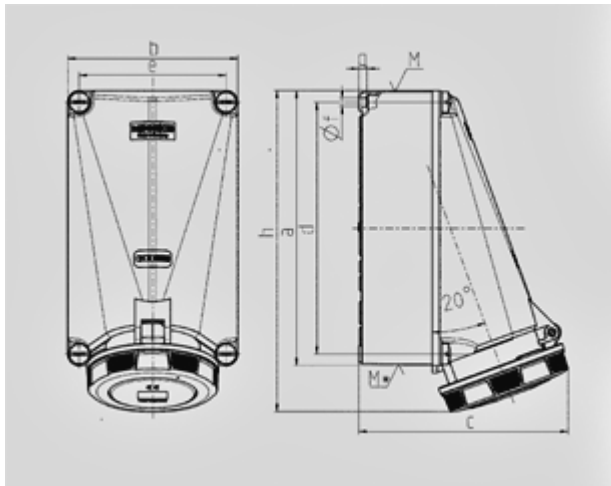


**Wall mounted socket - Part no. 140**


- screw terminals
- products with pilot contact: part no. + index P

Protection type	IP 67
Ampere	125 A
Poles	4p
Voltage	500
Hertz	50-60Hz
Earth position	7h
Contact	standard
Connection technology	Screw terminals

Std. Pack. 3 Qty.



Drawing	Amp.	125	
		4	5
1 MB 162	Poles		
Dim. in mm	a	264	264
	b	163	163
	c	200	200
	d	240	240
	e	140	140
	f	8,1	8,1
	g	8	8
	h	306	306
	M	50	50
	M*	2x50	2x50
	Max. cable diam. (mm)	38	38
	Terminal for cond. cross section (mm <sup>2</sup> ) min.-max.	25	25
		—35	—35