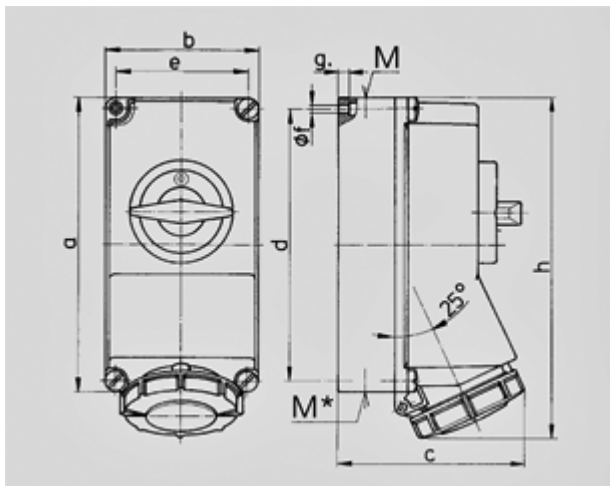


**Wall mounted socket - Part no. 5792A**


- screw terminals
- highly heat resistant contact carrier
- nickel plated contacts
- switched
- mechanical DUO-interlock
- receptacles can be padlocked

Protection type	IP 67
Ampere	32 A
Poles	4p
Voltage	380-440
Hertz	50-60Hz
Earth position	3h
Contact	standard
Connection technology	Screw terminals

Std. Pack. 1 Qty.



Drawing	Amp.	16			32		
		3	4	5	3	4	5
<b>1 MB 207</b>	<b>Poles</b>						
<b>Dim. in mm</b>	<b>a</b>	225	225	225	225	225	225
	<b>b</b>	118	118	118	118	118	118
	<b>c</b>	144	146	147	152	152	153
	<b>d</b>	208	208	208	208	208	208
	<b>e</b>	101	101	101	101	101	101
	<b>f</b>	6,3	6,3	6,3	6,3	6,3	6,3
	<b>g</b>	8	8	8	8	8	8
	<b>h</b>	252	255	259	268	268	274
	<b>M</b>	1xM25 and 1xM32			1xM25 and 1xM32		
	<b>M*</b>	2x25	2x25	2x25	2x25	2x25	2x25
	<b>Max. cable diam. (mm)</b>	25	25	25	25	25	25
	<b>Terminal for cond. cross section (mm<sup>2</sup>) min.-max.</b>	1,5	1,5	1,5	2,5	2,5	2,5
		-4	-4	-4	-10	-10	-10