

**Born for Industrial Safety**



**Thunder™** (NJZ-FEL-M Series)  
Hazardous Location LED Luminaire



2020-11-11 V1.7 EN

# Thunder

## Hazardous Location LED Luminaire

### NJZ-FEL-M Series



## Product description

The Thunder NJZ-FEL-M Series LED Luminaire is designed for installations where moisture, dirt, dust, corrosion and vibration may be present, or NEMA 3 and 4X areas where wind, water, snow or high ambient can be expected. They can be used in locations made hazardous by the presence of flammable vapors or gases or combustible dusts as defined by the NEC.

NJZ-FEL-M Series is ideal for retrofit of existing HPS/MH 320W~1000W and offers higher efficacy for increased energy savings, lower maintenance costs and shorter paybacks.

## Features

- High luminous efficacy-Up to 160 Lm/W
- Input Voltage: AC100~277V, AC347~480V (50/60Hz)
- Instant illumination and restrike no warm-up time required
- Valid over the entire temperature range from -40°C upto +65°C (-40°F ~+149°F)
- Safe and reliable heat transfer-Offering a T-rating of T4A (CI D2 / CII D1 / CIII)
- Shock and vibration resistant-Durable LEDs with solderless board connection
- Anti-corrosion housing tested 1000hrs to standard ASTM"B117-11"
- All exposed fasteners with quality stainless steel 316
- High Temperature silicone gasketing
- Thermal shock and impact resistant tempered Glass or PC Lens

## Compliance

### NEC/CEC Standard

UL844

Class I Division 2 Group A,B,C, D

Class II Division1 Group E,F,G

Class II Division 2 Group F, G

Class III

Simultaneous Presence

UL1598 Wet Location

UL1598A Outside Type (Salt Water)

IP66 / IK08 (Glass) / IK10 (PC) / 5G vibration

1000hrs salt spray

## Application

Power Plants / Heavy Industrials Storage

Facility / Paper mills Wastewater

Treatment Plants Loading Docks /

Platforms / Shipyards Chemical Processing

Facility Petrochemical Processing Facility

## Warranty

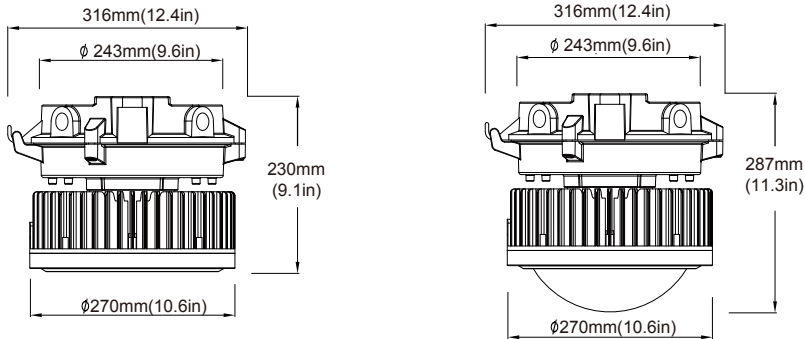
5-Year Standard Warranty

LED lumen Maintenance:

L70>145,000 Operation Hours @55°C



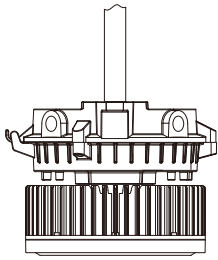
## Product Dimensions



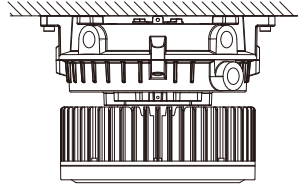
Model	Parts	Net weight	Product Dimensions (L×W×H)	Gross weight	Package Dimensions (L×W×H)
NJZ-FEL-M-80	Flat	8.9kg	Φ316×230mm	9.9kg	325x325x265mm
NJZ-FEL-M-120		9.2kg		10.2kg	
NJZ-FEL-M-150		9.8kg		10.8kg	
NJZ-FEL-M-200	Drop	9.9kg	Φ316×287mm	10.9kg	325x325x420mm
NJZ-FEL-M-80		10.2kg		11.2kg	
NJZ-FEL-M-120		10.2kg		11.8kg	
NJZ-FEL-M-150		10.8kg		11.8kg	

Catalog #	Description	Note	Single Package (L×W×H)	Net weight	Gross weight	Master Package (L×W×H)	Net weight	Gross weight
PB03	U-Bracket	Master Box 8pcs, 2pcs/ single box	255*255*89mm	3.2kg	3.8kg	385*285*282mm	12.8kg	14.0kg
WL90-M	Wall mount- 90°	Master Box 4pcs, 1pc/ single box	418*167*169mm	1.9kg	2.5kg	430*375*360mm	10.0kg	11.2kg
SN2503 SN2504	Stanchion - 25°	Master Box 4pcs, 1pc/ single box	393*129*152mm	1.0kg	1.4kg	410*340*295mm	5.6kg	6.5kg
SN9003 SN9004	Stanchion - 90°	Master Box 4pcs, 1pc/ single box	373*183*152mm	1.0kg	1.4kg	390*340*295mm	5.6kg	6.5kg
WG07	Wire guard for Flat Glass Lens	Master Box 20pcs	N.A	N.A	N.A	338*260*242mm	3.2kg	3.7kg
WG08	Wire guard for Glass Drop Lens	Master Box 10pcs	N.A	N.A	N.A	460*353*255mm	2.2kg	3.0kg

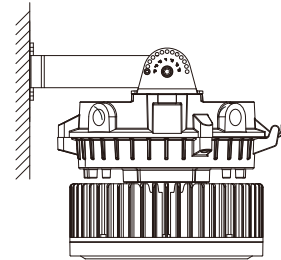
## Mounting



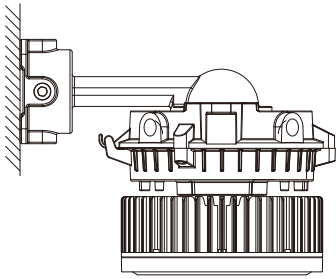
Pendant



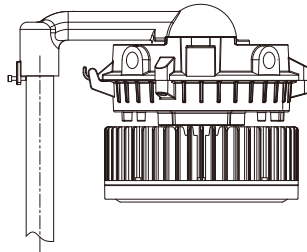
Ceiling



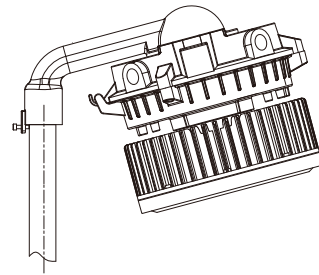
Bracket



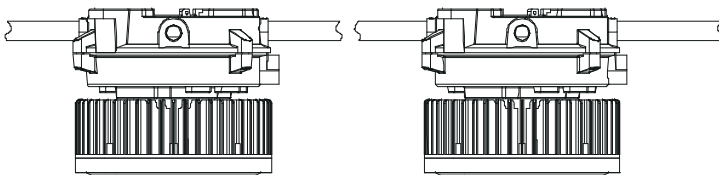
Wall



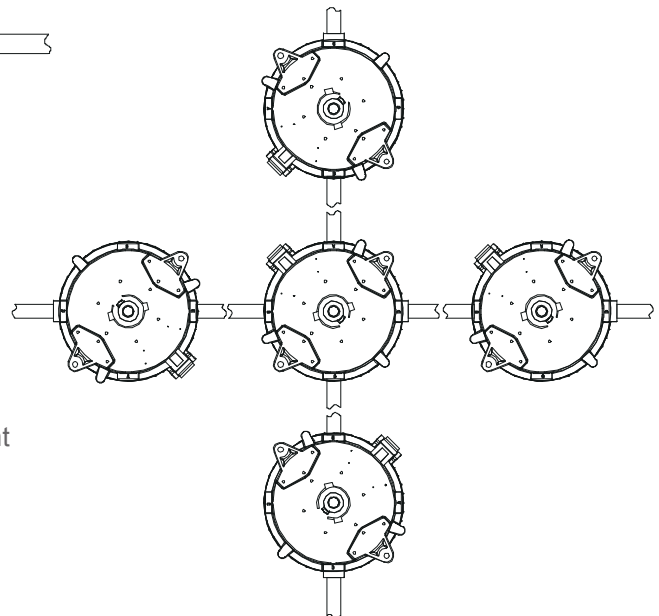
Stanchion 90°



Stanchion 25°



Row mount



## Technical Parameter

### Electrical

Specification		NJZ-FEL-M-80	NJZ-FEL-M-120
Rated Power		80W	120W
MH Replacement		320W	400~600W
Input Voltage		AC100 ~ 277V / AC347 ~ 480V	
Input Frequency		50/60Hz	
Power Factor		>0.9	
Driver Efficiency		≥90%	
Input Current	(AC100 ~ 277V)	0.28/0.79A	0.41/1.19A
	(AC347 ~ 480V)	0.16/0.23A	0.24/0.34A

### Optical

Specification		NJZ-FEL-M-80	NJZ-FEL-M-120
Lumen Output		12000Lm	18000Lm
Lumens Per Watt		150Lm/W with T5; 130Lm/W with T1 or T3	
Beam Angle		T1 / T3 / T5	
Correlated Color Temperature (CCT)		3000K / 4000K / 5000K	
Color Rendering Index (CRI)		Ra>70	

### Environmental

Specification		NJZ-FEL-M-80	NJZ-FEL-M-120
Ambient Operating Temperature		-40°C ~ +65°C / -40°F ~ +149°F	
T-code	CID2	T4A	T4A
	CIID1 / CIII		

### Mechanical

Specification		NJZ-FEL-M-80	NJZ-FEL-M-120
Housing Material		Copper-free Aluminum	
Lens Material		Glass(Clear / Frosted / Drop lens) PC (Clear / Frosted / Drop lens )	
Hardware		Stainless steel 316	
Color		Dark Grey (RAL7037)	
Finish		Polyster powder coating for uniform corrosion resistance	
Cable entries		3/4" NPT (Top x1 open & Sidex5 with stopping plugs)	
Termination		3 x WAGO 221-415 (max. 4 mm <sup>2</sup> ,5-conductor,with levers)	
Dimming		0-10V Dimming standard (Dim+,Dim-,12V leads capped)	
Installation		MIN 90°C SUPPLY CONDUCTORS	
Mounting Options		Pendant, Bracket, Ceiling, Stanchion, Wall	
Protection		IP66 / IK08(Glass) / IK10 (PC) / 5G vibration / 1000hrs salt spray	

## Technical Parameter

### Electrical

Specification		NJZ-FEL-M-150	NJZ-FEL-M-200
Rated Power		150W	200W
MH Replacement		600~750W	750~1000W
Input Voltage		AC100~277V / AC347~480V	
Input Frequency		50/60Hz	
Power Factor		>0.9	
Driver Efficiency		≥90%	
Input Current	(AC100~277V)	0.51/1.49A	0.7/1.98A
	(AC347~480V)	0.30/0.43A	0.41/0.57A

### Optical

Specification		NJZ-FEL-M-150	NJZ-FEL-M-200
Lumen Output		22500Lm	30000Lm
Lumens Per Watt		150Lm/W with T5; 130Lm/W with T1 or T3	
Beam Angle		T1 / T3 / T5	
Correlated Color Temperature (CCT)		3000K / 4000K / 5000K	
Color Rendering Index (CRI)		Ra>70	

### Environmental

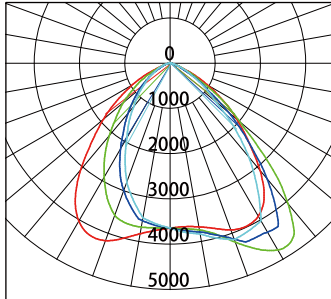
Specification		NJZ-FEL-M-150	NJZ-FEL-M-200
Ambient Operating Temperature		-40°C ~+60°C/-40°F~+140°F	-40°C ~+55°C/-40°F~+131°F
T-code	CID2	T4A	T4A
	CIID1 / CIII		

### Mechanical

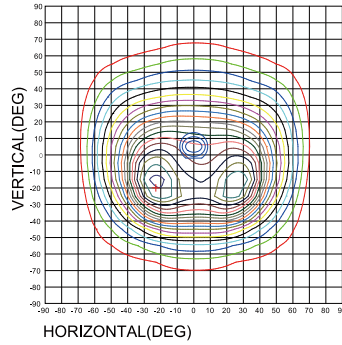
Specification		NJZ-FEL-M-150	NJZ-FEL-M-200
Housing Material		Copper-free Aluminum	
Lens Material		Glass(Clear / Frosted / Drop lens) PC (Clear / Frosted / Drop lens )	
Hardware		Stainless steel 316	
Color		Dark Grey (RAL7037)	
Finish		Polyster powder coating for uniform corrosion resistance	
Cable entries		3/4" NPT (Top x1 open & Sidex5 with stopping plugs)	
Termination		3 x WAGO 221-415 (max. 4 mm <sup>2</sup> ,5-conductor,with levers)	
Dimming		0-10V Dimming standard (Dim+,Dim-,12V leads capped)	
Installation		MIN 90°C SUPPLY CONDUCTORS	
Mounting Options		Pendant, Bracket, Ceiling, Stanchion, Wall	
Protection		IP66 / IK08(Glass) / IK10 (PC) / 5G vibration / 1000hrs salt spray	

### Photometric

#### Type I



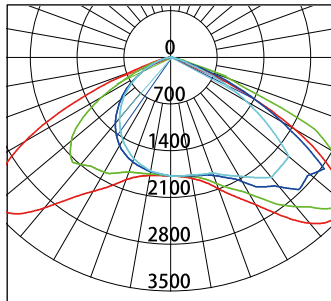
- C0/180, 102.1
- C30/210, 94.2
- C60/240, 77.3
- C90/270, 72.6



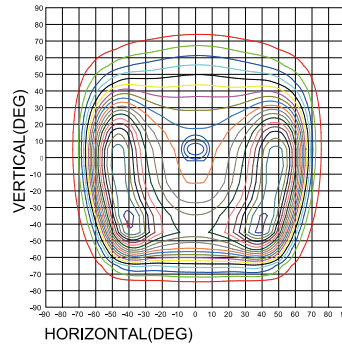
**Illumination-Type II Degree**

2m	6m	491Lux
4m	12m	122Lux
6m	18.1m	54Lux
8m	24.1m	30Lux
10m	30.2m	19Lux
Height	Diameter	Eavg

#### Type III



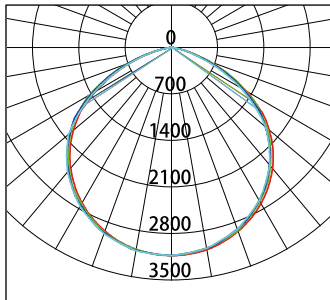
- C0/180, 134.6
- C30/210, 133.3
- C60/240, 98.3
- C90/270, 102.0



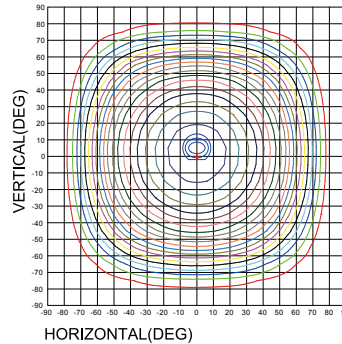
**Illumination-Type III Degree**

2m	6m	491Lux
4m	12m	122Lux
6m	18.1m	54Lux
8m	24.1m	30Lux
10m	30.2m	19Lux
Height	Diameter	Eavg

#### Type V



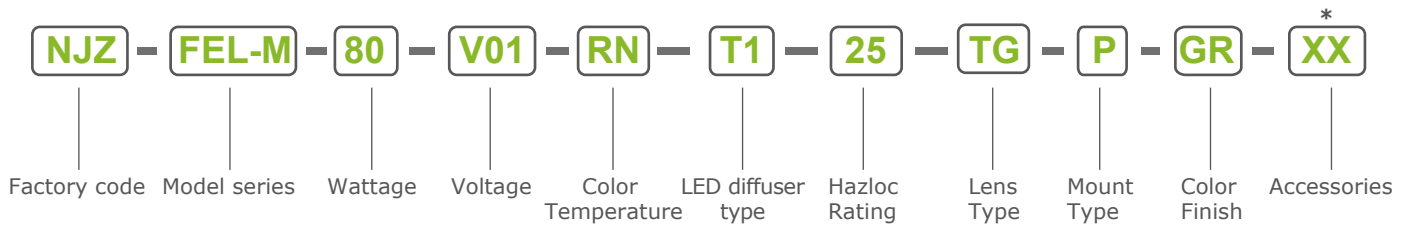
- C0/180, 112.5
- C30/210, 113.7
- C60/240, 112.9
- C90/270, 111.4



**Illumination-Type v Degree**

2m	6m	491Lux
4m	12m	122Lux
6m	18.1m	54Lux
8m	24.1m	30Lux
10m	30.2m	19Lux
Height	Diameter	Eavg

## Ordering Information and Mounting Accessories



\*: Suffix not within nomenclature as per Certification, for marketing purpose only

<u>FACTORY CODE</u>	<u>MODEL SERIES</u>	<u>WATTAGE</u>	<u>VOLTAGE</u>	<u>COLOR TEMPERATURE</u>
NJZ	FEL-M	80=80W 120=120W 150=150W 200=200W	V01= AC100~277V V04= AC347~480V	RN= 3000K (Warm White) RL= 4000K (Neutral White) RZ= 5000K (Neutral White) RD= Red GN= Green BU= Blue AM= Amber.

<u>LED DIFFUSER TYPE</u>	<u>HAZLOC RATING</u>	<u>LENS TYPE</u>	<u>MOUNT TYPE</u>
T1=Type I LED diffuser T3=Type III LED diffuser T5=110° (No LED diffuser)	25=CID2,CIID1	TG = Clear glass FG = Frosted glass DL = Drop lens (glass)  CP = Clear PC FP = Frosted PC DP = Drop lens (PC)	P=NPT 3/4"pendant mount U=NPT 3/4"pendant+U-bracket F=Multi-mount ( Stanchion / Wall )

<u>COLOR FINISH</u>	<u>ACCESSORIES</u>
GR = Gray (Standard)  BL =Black WT=White BZ =Bronze	PB03= U-Bracket (SUS 304) WL90-M= Wall mount- 90°  SN2503=Stanchion-25°(NPT 1.25") SN2504=Stanchion-25°(NPT 1.50") SN9003=Stanchion-90°(NPT 1.25") SN9004=Stanchion-90°(NPT 1.50")  WG07=Stainless Steel Wire guard for Flat Glass Lens WG08=Stainless Steel Wire guard for Glass Drop Lens SC01=Stainless Steel Safety Cable kit CA01=3' SJTOW-18/3 Cord (Factory installed) CA-X=Cable, order upon request SP01=10kv Surge Protector for 120-277V SP02=10kv Surge Protector for 347-480V SP05=20kv Surge Protector for 120-277V SP06=20kv Surge Protector for 347-480V

<u>INSTALLATION TIPS</u>
<b>1. Termination</b> 3x WAGO 5-conductor for L, N, G connection Conductor range: 0,2 ... 4 mm <sup>2</sup> / 24 ... 12 AWG Rated voltage UL: 600 V Rated current UL: 20A  <b>2. Cable Entries</b> 3/4" NPT (Top x1 & Sidex5 ) Top x1 open, Sidex5 with stopping plugs  <b>3. Dimming</b> Standard: 0-10V Dimming (10-100%)







### PB03

Wall/Pipe  
U-Bracket (SUS 304)



### WL90-M

Wall mount-90°  
NPT 3/4" Grey Painted A356  
Aluminum AL



### SN2503

Stanchion-25°,  
NPT 1.25"(1.660"Pole OD)  
slip-fit stanchion mount

### SN2504

Stanchion-25°,  
NPT 1.50"(1.900"Pole OD)  
slip-fit stanchion mount

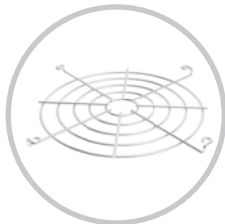


### SN9003

Stanchion-90°,  
NPT 1.25"(1.660"Pole OD)  
slip-fit stanchion mount

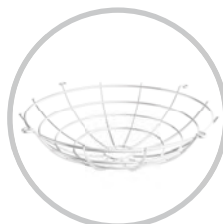
### SN9004

Stanchion-90°,  
NPT 1.50"(1.900"Pole OD)  
slip-fit stanchion mount



### WG07

Stainless Steel  
Wire guard



### WG08

Stainless Steel  
Wire guard



### SC01

Stainless Steel  
Safety Cable kit



### CA01

3' SJTOW-18/3 Cord  
(Factory installed)



### SP01 / SP02

10KV Surge Protector  
for 120-277V/347-480V



### SP05 / SP06

20KV Surge Protector  
for 120-277V/347-480V

### Class I Locations

Class I locations are those in which inflammable gases or vapors are or may be present in sufficient quantities to produce explosive or flammable mixtures.

#### CLASS I, DIVISION 1

Class I, Division 1 locations are where hazardous atmosphere may be present during normal operations. It may be present continuously, intermittently, periodically or during normal repair or maintenance operations, or those areas where a breakdown in processing equipment releases hazardous vapors with the simultaneous failure of electrical equipment.

#### CLASS I, DIVISION 2

Class I, Division 2 locations are those in which volatile flammable liquids or gases are handled, processed or used. Normally they will be confined within closed containers or in closed systems from which they can escape only in the case of rupture or deterioration of the containers or systems.

### Class II Locations

Class II locations are those that are hazardous because of the presence of combustible dust.

#### CLASS II, DIVISION 1

Class II, Division 1 locations include areas where combustible dust may be in suspension in the air under normal conditions in sufficient quantities to produce explosive or ignitable mixtures (Dust may be emitted into the air continuously, intermittently or periodically), or where failure or malfunction of equipment might cause a hazardous location to exist and provide an ignition source with the simultaneous failure of electrical equipment, included also are locations in which combustible dust of an electrically conductive nature may be present.

#### CLASS II, DIVISION 2

Class II, Division 2 locations are those in which combustible dust will not normally be in suspension nor will normal operations put dust in suspension, but where accumulation of dust may interfere with heat dissipation from electrical equipment or where accumulations near electrical equipment may be ignited.

### Class III Locations

Class III locations are those considered hazardous due to the presence of easily ignitable fibers of flyings, which are in quantities sufficient to produce ignitable mixtures.

#### CLASS III, DIVISION 1

Locations in which easily ignitable fibers or materials producing combustible flyings are handled, manufactured or used.

#### CLASS III, DIVISION 2

Locations where easily ignitable fibers are stored or handled.