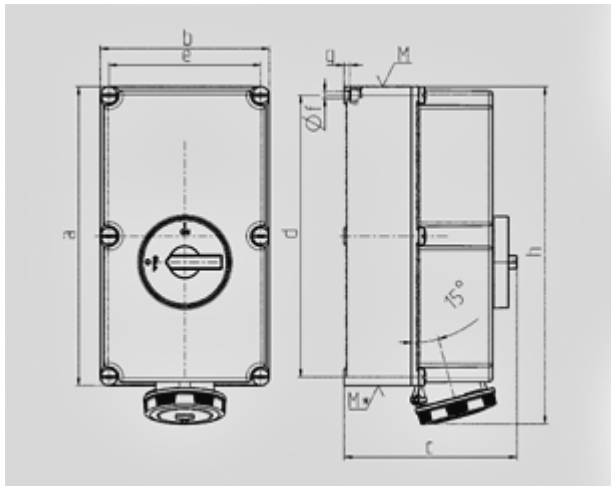


Wall mounted socket - Part no. 5691A


- screw terminals
- TorsionSpringCONTACT
- switched
- mechanical DUO-interlock
- upon request with provision for an additional padlock

Protection type	IP 67
Ampere	125 A
Poles	4p
Voltage	400
Hertz	50-60Hz
Earth position	6h
Contact	standard
Connection technology	Screw terminals

Std. Pack. 1 Qty.



Drawing	Amp.	125		
		Poles		
1 MB 177		3	4	5
Dim. in mm	a	460	460	460
	b	260	260	260
	c	283	283	283
	d	434	434	434
	e	234	234	234
	f	11	11	11
	g	9	9	9
	h	519	519	519
	M	63	63	63
	M*	2x63	2x63	2x63
Max. cable diam. (mm)		44	44	44
Terminal for cond. cross section (mm ²) min.-max.		25 —70	25 —70	25 —70