



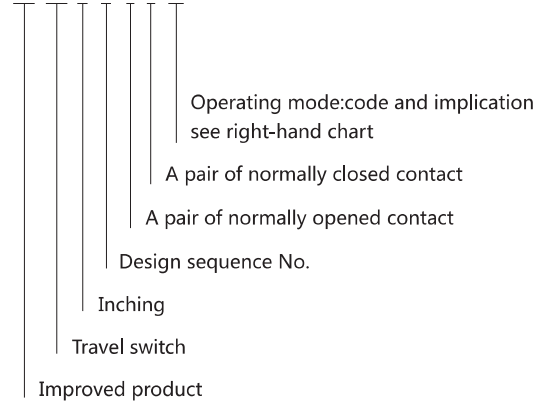
YBLXW-5 Microswitch

1. General

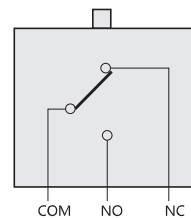
YBLXW-5 series microswitches apply to the control circuit, whose alternating current is 50Hz/60Hz, AC-15 380V, I_e0.79A; DC-13 220V, I_e0.14A. The switches are widely applied to the travel control, spacing protection and interlock of all kinds of machinery equipments, which are machinery, spinning, electronic instrument and so on. The normal operation of products are on altitude, which is not exceeding 2000m, environment temperature is -5°C~+40°C; humidity is 90%(20°C); operation frequency is 20 times every minute, level of protection is IP52. Up to standard: GB/T 14048.5, IEC 60947-5-1, acquired CCC national compulsory product certification.

2. Type designation

YB LX W-5/1 1 □



Contact type



3. Technical data

Level of protection	IP52	
Operation frequency	20t/min	
Load	Ordinary type	AC-15 380V ; DC-13 220V
		AC-15 0.79A ; DC-13 0.14A
Speed of operation	0.1mm/s~0.5mm/s	
Contact resistance	≤100mΩ	
Environment temperature	-5°C~ +40°C	
Relative humidity	≤90%(20°C)	
Altitude	≤2000m	
Installation category	II	
Pollution degree	class3	
Insulation voltage Ui	415V	
Rated impulse withstand voltage Uimp	2.5KV	
Scope of application	The travel control, spacing protection, and interlock of all kinds of machinery equipments, which are machinery,spinning,electronic instrument and so on.	
Up to standard	GB/T 14048.5 , IEC 60947-5-1	

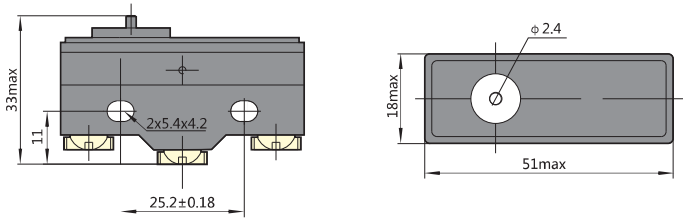
Model	Operating mode
YBLXW-5/11Z	Handspike plunger type
YBLXW-5/11N2	Compression bar type
YBLXW-5/11G2	Roller compression bar type
YBLXW-5/11D1	Short spring-loaded plunger type
YBLXW-5/11M	Panel mounting plunger type
YBLXW-5/11Q1	Panel mounting roller plunger type
YBLXW-5/11Q2	Panel mounting landscape roller plunger type
YBLXW-5/11N1	Hinge rail type
YBLXW-5/11G1	Hinge roller long rail type
YBLXW-5/11G2277	Hinge one-way roller long rail type
YBLXW-5/11G3	Hinge roller rail type
YBLXW-5/11GS	Fine push rod type

Performance characteristic	Model	YBLXW-5/11Z	YBLXW-5/11D1	YBLXW-5/11M	YBLXW-5/11Q1	YBLXW-5/11Q2
	Movement(OF)		≤10N	≤10N	≤10N	≤10N
Movement route		≤3.5mm	≤3.5mm	≤3.5mm	1.2±0.9mm	1.2±0.9mm
Excess of stroke		≥0.5mm	≥0.5mm	≥3mm	≥3mm	≥3mm

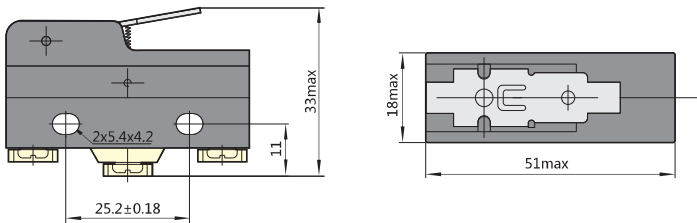
Performance characteristic	Model	YBLXW-5/11N1	YBLXW-5/11N2	YBLXW-5/11G1	YBLXW-5/11G2	YBLXW-5/11G3
	Movement(OF)		≤6N	≤7N	≤6N	≤7N
Movement route		≤13mm	≤10mm	≤11mm	≤7mm	≤8.5mm
Excess of stroke		≥3mm	≥2mm	≥3mm	≥2mm	≥2.5mm

4. Overall and mounting dimensions

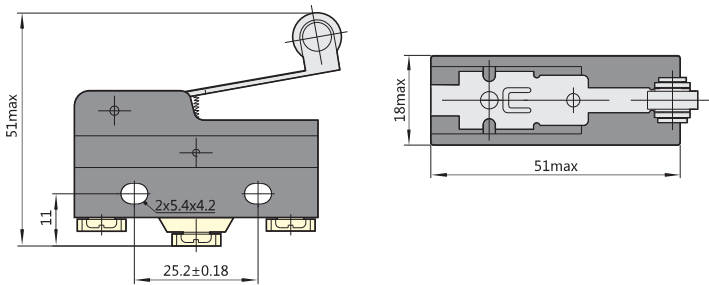
YBLXW-5/11Z



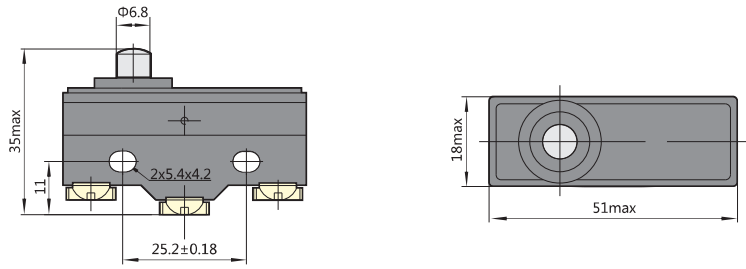
YBLXW-5/11N2



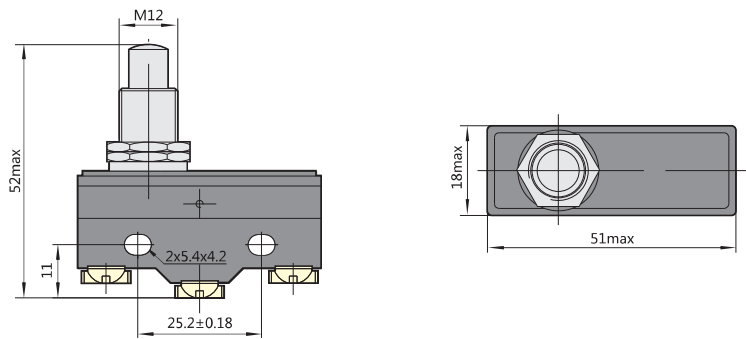
YBLXW-5/11G3



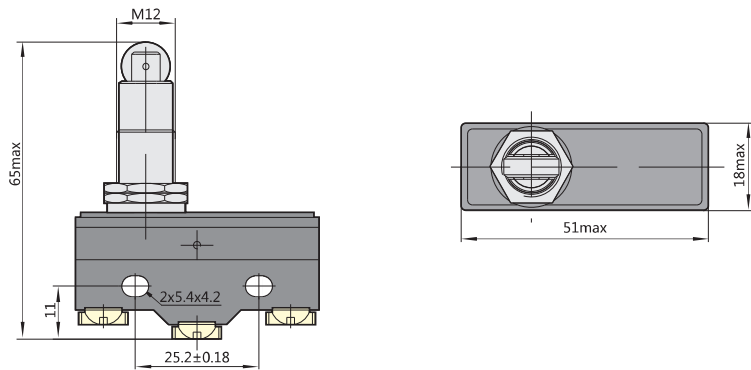
YBLXW-5/11D1



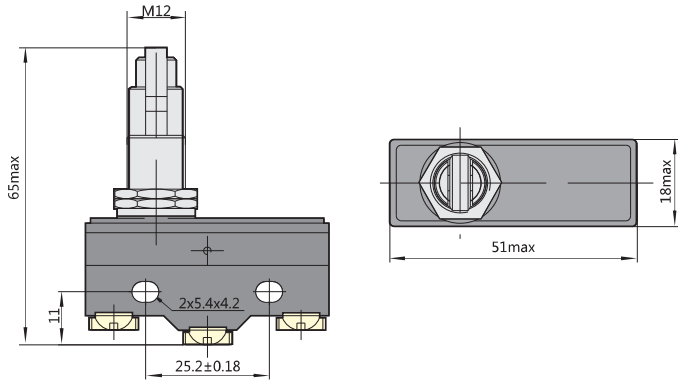
YBLXW-5/11M



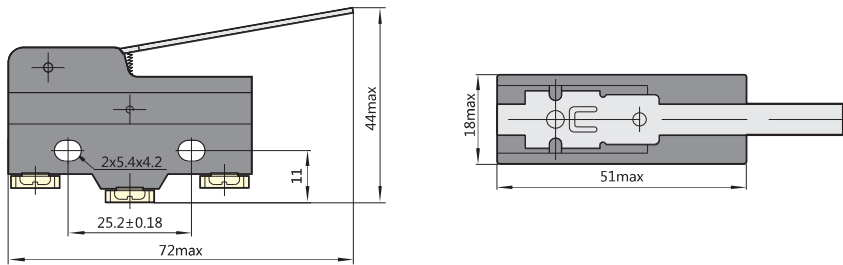
YBLXW-5/11Q1



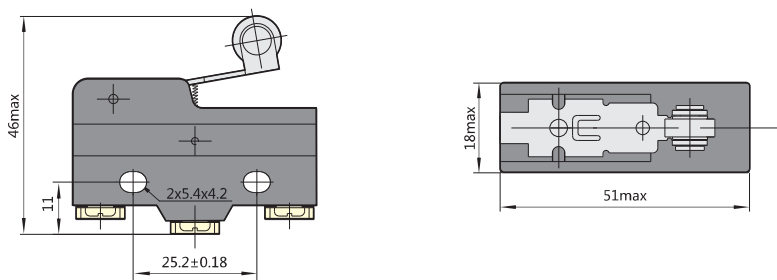
YBLXW-5/11Q2



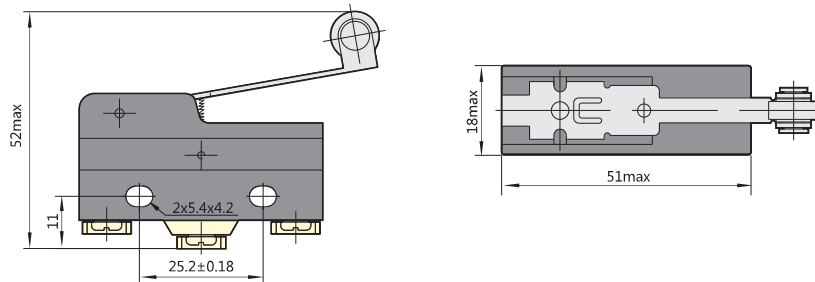
YBLXW-5/11N1



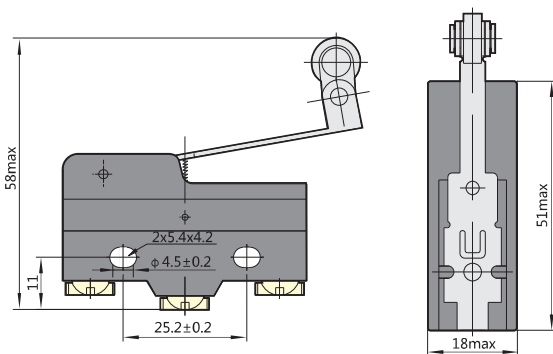
YBLXW-5/11G2



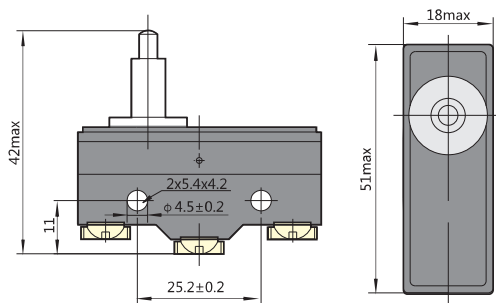
YBLXW-5/11G1



YBLXW-5/11G2277



YBLXW-5/11G5



5. Ordering information

5.1 The user must specify the model, name and quantity of the switch when ordering. Eg: 100 YBLX-5/11Z Micro Switch

5.2 User note:

5.2.1 Please do not use in hot water and water vapor condition.

5.2.2 Please do not dip directly in oil or water.

5.2.3 Please install the equipment in the place that vibration does not occur, also no resonance occurs.