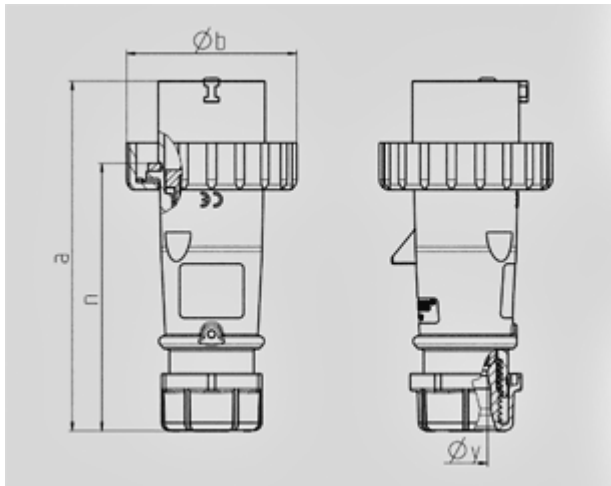


**Plug AM-TOP® - Part no. 290**


- screw terminals
- single part body
- cable gland and sealing
- strain relief and protection against kinking

|                       |                 |
|-----------------------|-----------------|
| Protection type       | IP 67           |
| Ampere                | 32 A            |
| Poles                 | 3p              |
| Voltage               | 230             |
| Hertz                 | 50-60Hz         |
| Earth position        | 6h              |
| Contact               | standard        |
| Connection technology | Screw terminals |

Std. Pack. 10 Qty.



| Drawing                              | Amp. | 16    |      |      | 32    |     |     |
|--------------------------------------|------|-------|------|------|-------|-----|-----|
|                                      |      | Poles |      |      | Poles |     |     |
| 2 MB 218                             |      | 3     | 4    | 5    | 3     | 4   | 5   |
| Dim. in mm                           | a    | 142   | 144  | 147  | 186   | 186 | 180 |
|                                      | b    | 70    | 78   | 87   | 94    | 94  | 101 |
|                                      | n    | 109   | 111  | 114  | 145   | 145 | 138 |
|                                      | y    | 14,5  | 16   | 16   | 22    | 22  | 22  |
| Terminal for cond. cross             |      | 1     | 1    | 1    | 2,5   | 2,5 | 2,5 |
| section (mm <sup>2</sup> ) min.-max. |      | -2,5  | -2,5 | -2,5 | -6    | -6  | -6  |