

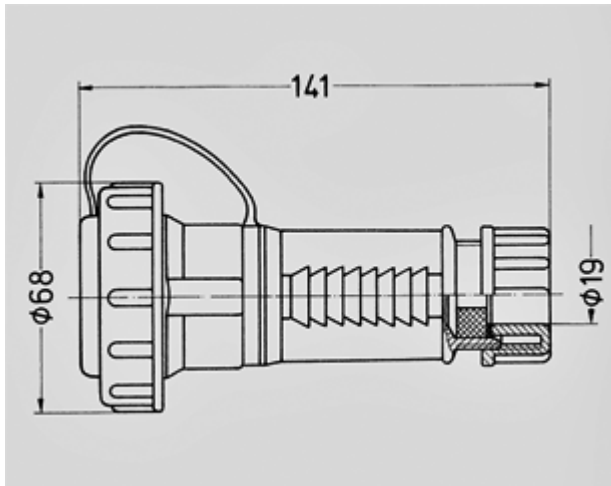
Connector SCHUKO® - Part no. 10833

- screw terminals
- bayonet lock lid attached by a strap
- for cables up to 3 x 2.5 mm², up to H07RN-F

Protection type	IP 68
Ampere	16 A
Poles	2p+E
Voltage	230
Contact	standard
Connection technology	Screw terminals



Std. Pack. 5 Qty.

Drawing
3 MB 41

Dim. in mm