



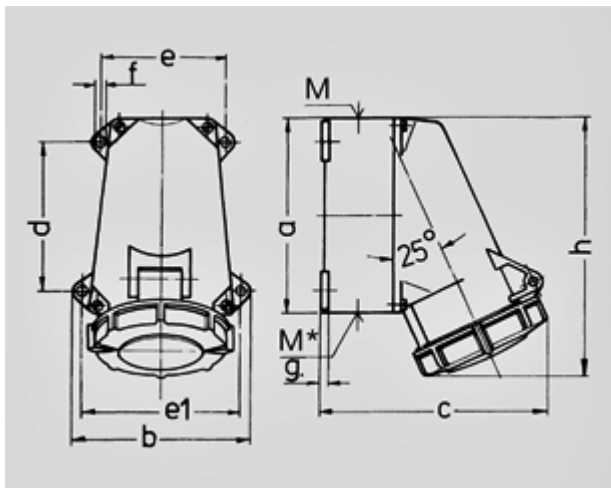
Wall mounted socket - Part no. 2746



- screw terminals
- with highly heat resistant contact carrier
- nickel plated contacts
- 4 external fixings
- one cable entry at top, one blind cable entry (can be cut out) at the bottom
- sockets are designed for adding an auxiliary contact switch

Protection type	IP 67
Ampere	16 A
Poles	7p
Voltage	400
Hertz	50-60Hz
Earth position	6h
Contact	nickel plated contacts, highly heat resistant contact carrier
Connection technology	Screw terminals

Std. Pack. 10 Qty.



Drawing	Amp.	16	32
1 MB 406	Poles	7	7
Dim. in mm	a	95	120
	b	102	112
	c	129	150
	d	64,2	90,2
	e	77,5	79
	e1	88	98,5
	f	5,5	5,5
	g	5	5
	h	132	160
	M	25	32
	M*	M25 (blind) to be cut out	M32 (blind) to be cut out
	Max. cable diam. (mm)	18	25
	Terminal for cond. cross section (mm ²) min.-max.	1,5	2,5
		—4	—10