



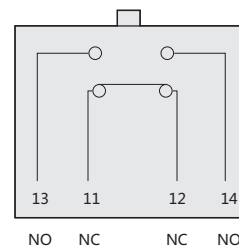
YBLX-CK Travel Switch

1. General

YBLX-CK series of travel switch is applicable to electric circuit with voltage not more than AC-15 380V,50Hz/60Hz or DC-13 220V, for travel control, direction of motion or speed change of movement mechanism, automatic control of machine tool, limit action & travel or procedure control of movement mechanism.

Ingress protection	IP52
Rated working voltage	AC-15 380V ; DC-13 220V
Rated control current	AC-15 0.8A ; DC-13 0.16A

Contact type



2. Technical data

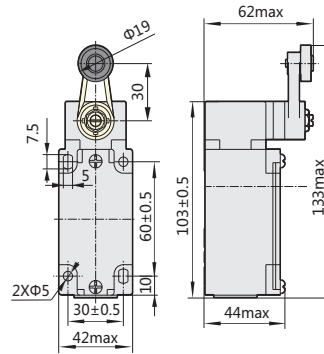
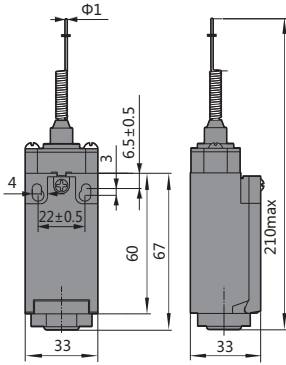
Type	Mechanical equipment for buildings and public utilities	Food, agriculture, textiles, timber, lumber, industries, machinery	Packing machinery	Machine tool	Assembling machine	Motor handling machinery
YBLX-CK/J	Not commonly used	Not commonly used	Not commonly used	Can be used	The most commonly used	The most commonly used
YBLX-CK/S	Not commonly used	The most commonly used	The most commonly used	Not commonly used	Not commonly used	Not commonly used
YBLX-CK/M	The most commonly used	Can be used	The most commonly used	Can be used	Can be used	The most commonly used
YBLX-CK/P	The most commonly used	The most commonly used	The most commonly used	Not commonly used	The most commonly used	Not commonly used
YBLX-CK/T	The most commonly used	The most commonly used	The most commonly used	Not commonly used	The most commonly used	Not commonly used

Type	Direct-acting	Direct-acting steel roller	Direct-acting plastic roller	Direct-acting plastic roller	Adjustable roller rotating arm	Jib-type round rod	Universal type
YBLX-CK/J	J161	J167		J10511	J10541	J10559	
YBLX-CK/S	S101	S102		S131, 139	S141	S159	
YBLX-CK/M	M110	M102	M121	M115			
YBLX-CK/P	P110	P102	P121	P118	P145	P155	P106 P108
YBLX-CK/T	T110	T102	T121	T118			T106

3. Overall and mounting dimensions

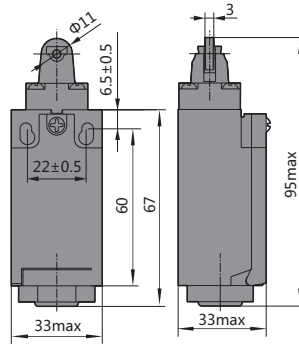
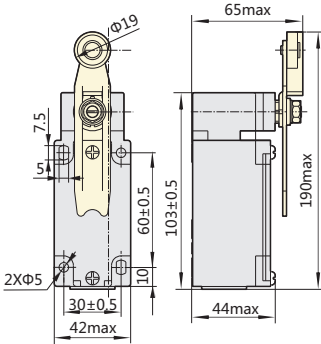
YBLX-CK/P 106

YBLX-CK/J 10511



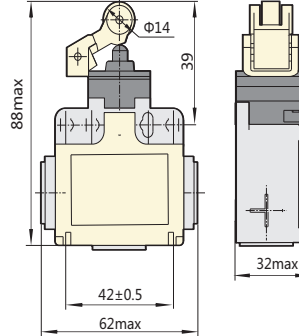
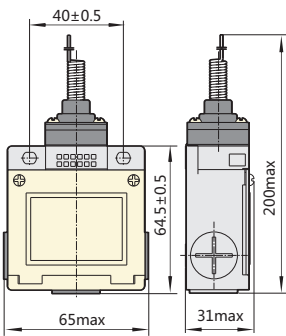
YBLX-CK/J 10541

YBLX-CK/P 102

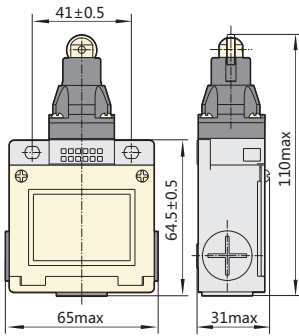


YBLX-CK/M 106

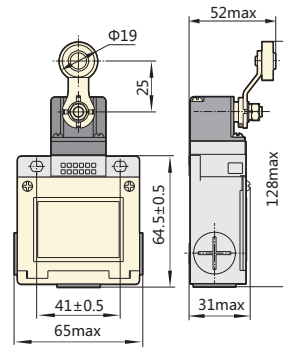
YBLX-CK/T 121



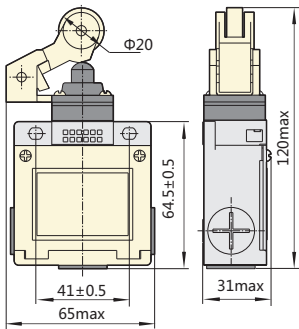
YBLX-CK/M 102



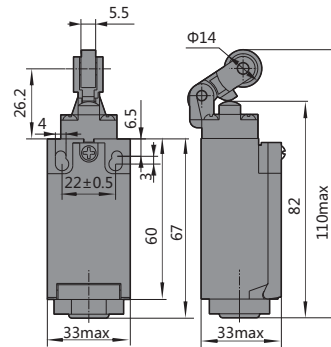
YBLX-CK/M 115



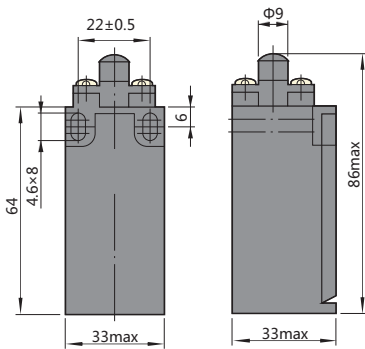
YBLX-CK/M 121



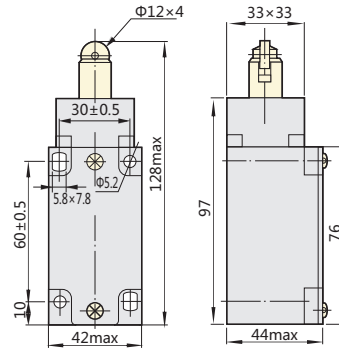
YBLX-CK/P 121



YBLX-CK/P 110

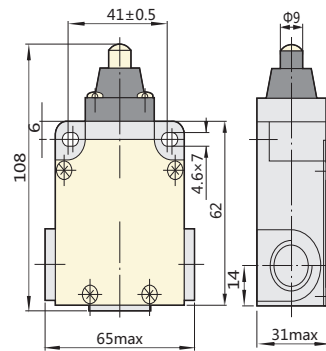
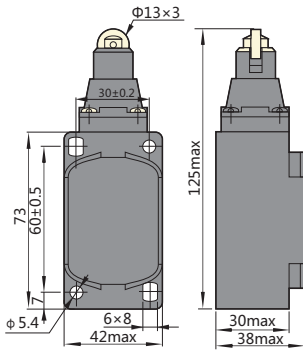


YBLX-CK/J 167

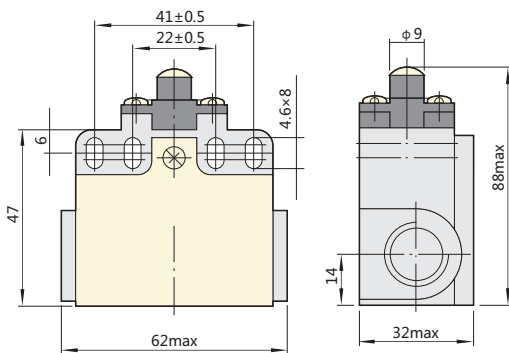


YBLX-CK/S 102

YBLX-CK/M 110



YBLX-CK/T 110



4. Ordering instructions:

The user must specify the model, name and quantity of the switch when ordering.

Eg: 100 YBLX-CK/J10541 Limit switch.

User note:

YBLX-CK/M115, YBLX-CK/J10541, YBLX-CK/P118, YBLX-CK/P145, YBLX-CK/P155, YBLX-CK/S131, YBLX-CK/S141, YBLX-CK/S159, YBLX-CK/T118 restricted by operating mechanism. It can not apply to the arm action is greater than 90 degree condition. Beware of the action angle is too large lead to turn arm rotation and other undesirable phenomena.