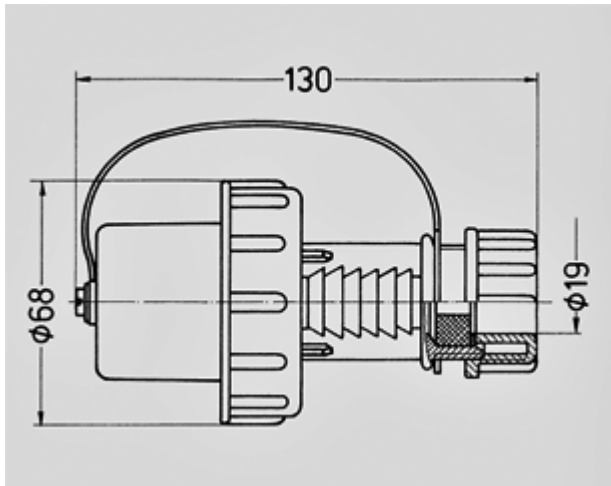


Plug SCHUKO® - Part no. 10828

- screw terminals
- with combined PE-conductor acc. to german and french-belgian standard
- with bayonet ring
- protective cap attached by a strap
- for cables up to 3 x 2.5 mm², up to H07RN-F

Protection type	IP 68
Ampere	16 A
Poles	2p+E
Voltage	230
Contact	standard
Connection technology	Screw terminals

Std. Pack. 5 Qty.

Drawing
2 MB 163

Dim. in mm