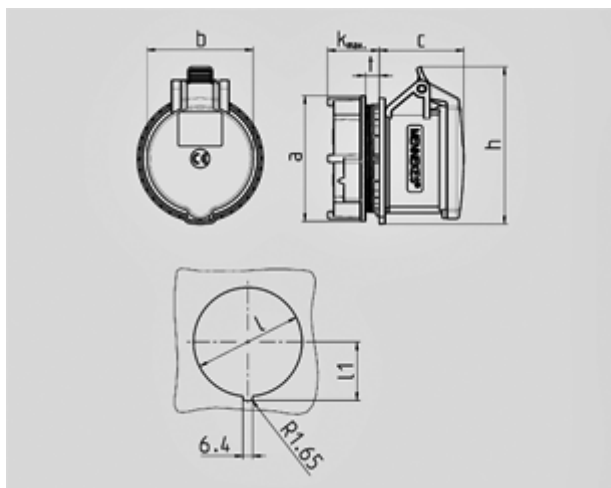


Panel mounted socket RAPIDO® - Part no. 999


- screw clamps
- suitable for through wiring
- for wall apertures 70 mm diameter
- central fixing

Protection type	IP 44
Ampere	32 A
Poles	4p
Voltage	400
Hertz	50-60Hz
Earth position	6h
Contact	standard
Connection technology	Screw terminals

Std. Pack. 10 Qty.



Drawing	Amp.	16		32		
		Poles		3	4	5
1 MB 468		4	5			
Dim. in mm	a	81	81	81	81	81
	b	66	69	71	71	80
	c	58	55	66	66	64
	k	max. 33	max. 33	max. 39	max. 39	max. 39
	h	100	102	101	101	108
	l	70	70	70	70	70
	lt	37,75	37,75	37,75	37,75	37,75
	t	2-9	2-9	2-9	2-9	2-9
Terminal for cond. cross		1,5	1,5	2,5	2,5	2,5
section (mm ²) min.-max.		—4	—4	—10	—10	—10