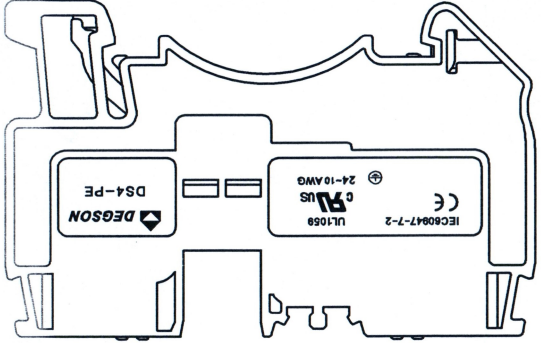
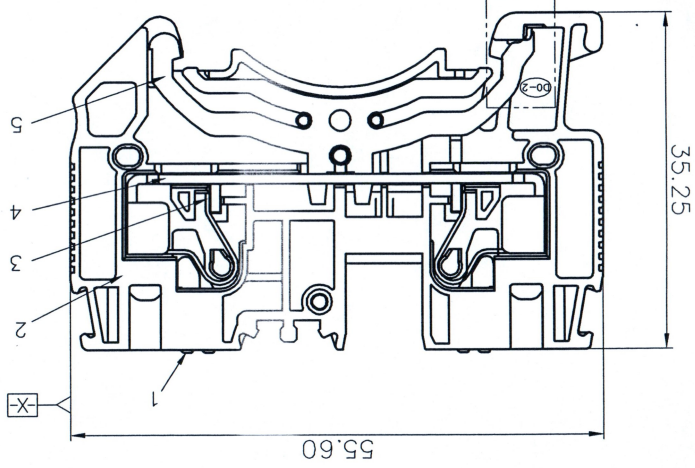
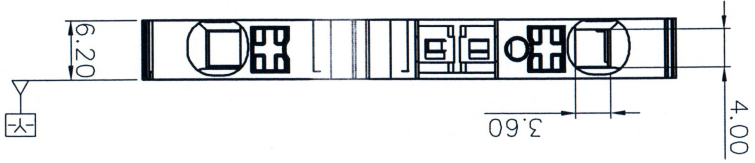


REVISION RECORD			
REV	ECN	DESCRIPTION	DRAFT DATE
00-2		RESTRICTURE	BARON 09/14/16"



仅供参考图
 签字: [Signature]
 日期: 2016.09.18

NOTES:
 1. Dimension shall be interpreted per ASME Y14.5-2009
 2. Pitch : 6.2mm
 3. Striping length : 10~12mm
 4. Operating temperature: -40°C~+105°C
 5. Undimensioned Tolerances:
 Pitch Range in mm
 Nominal Dimension Range
 Over 10
 To 10
 ±0.15
 Over 6
 To 6
 ±0.20
 Over 30
 To 30
 ±0.30
 Over 60
 To 60
 ±0.50
 Over 100
 To 100
 ±1.00
 Over 150
 To 150
 ±1.30
 ±2.

Pollution Degree	3
Overvoltage Category	III
Rate Impulse Voltage(kV)	8.0kV
Rate Voltage(V)	/
Rate Current(A)	/

2. Wire Range : 0.2~4mm²; sol: 6mm²

UL Standard
 1. Wire Range : 24~10AWG

IEC Standard

6. RoHS Compliance

ITEM	NAME OF PART	QTY	MATERIAL	NOTES
1	Button	2	POM	UL94V-2
2	Housing	1	PA66	UL94V-0
3	Spring	2	Stainless steel	
4	Current Carrier	1	Copper	Sn plated
5	Grounding	1	Phosphor bronze	Sn plated

PART NO.: /
 NAME: **DEGSON** 宁波高松电子有限公司
 NINGBO DEGSON ELECTRICAL CO., LTD.

APPD: *Alan 09/18/16*
 CHKD: *Karen 2016.9.18*
 DFT: ding 01/28/16"
 TITL: CUSTOMER DRAWING
 REV: D0-2
 SHEET: 1/1
 SCALE: 1:1
 DO NOT SCALE DRAWING
 THIRD ANGLE PROJECTION
 (INCH)