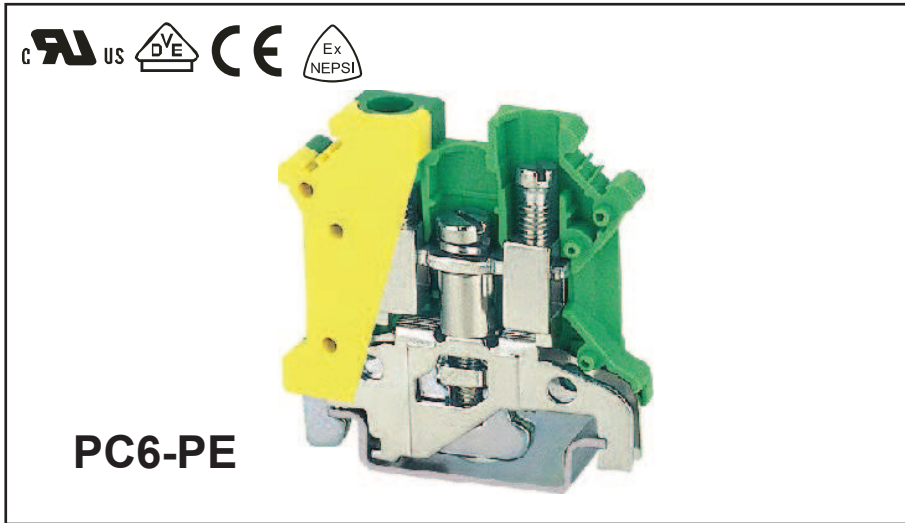


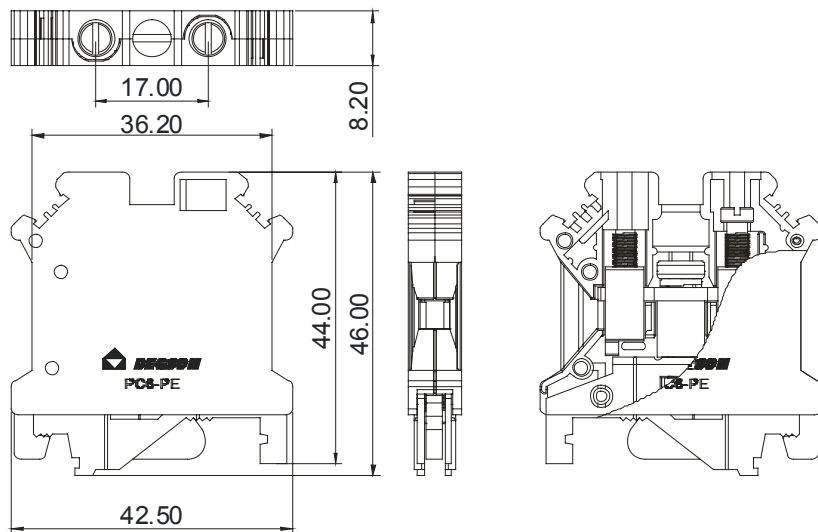


# DEGSON ELECTRONICS CO., LTD.

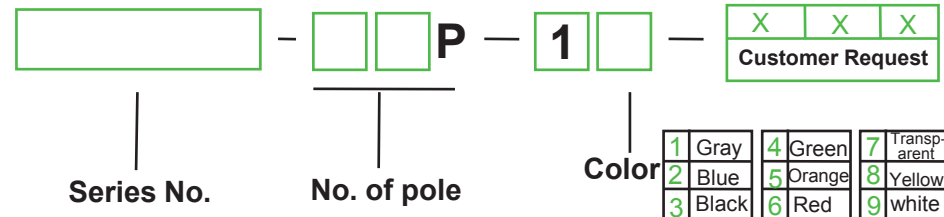
## Product Specification



<b>Approval</b>	c  US	
<b>Capability</b>		
<b>Standard</b>	<b>UL</b>	<b>IEC</b>
Rated Voltage	-	-
Rated Current	-	-
Wire size	24-10AWG	0.2-6.0mm <sup>2</sup>
T/W/End plate	8.2/42.5/-mm	
Height(mm)(NS35:7.5/NS35:15/NS32)	47/54.5/52mm	
Rated surge voltage/Contamination Class	8KV/3	
Stripping length	8mm	
Terminal screw: thread/torque	M4/1.2N.m/10.5Lb-in	
Mounting screw: thread/torque	M4/1.2N.m/10.5Lb-in	
Internal cylindrical gage	A4	
Insulating Material/Inflammability class	PA/V-0	
<b>Specification</b>	<b>Model</b>	<b>Pieces</b>
(1)Ground terminal block	PC 6-PE	50
(2)Zack strip	ZB 8	300



### HOW TO ORDER :



	<b>DEGSON ELECTRONICS CO., LTD.</b>
	<b>NAME</b> <b>PC 6-PE</b>