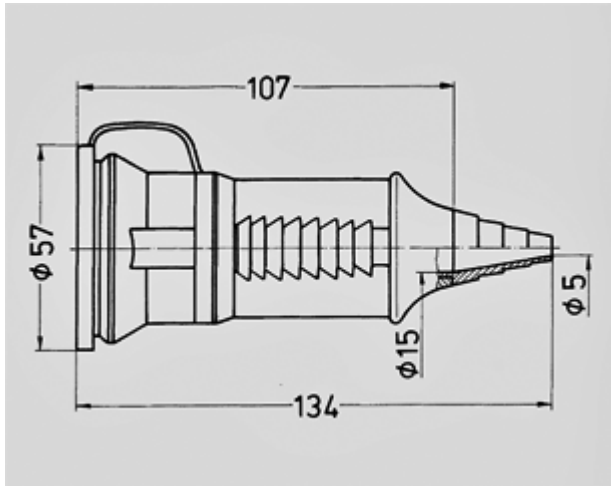


**Connector SCHUKO® - Part no. 10755 black**

- screw terminals
- with grommet and lid
- for cables up to 3 x 2.5 mm<sup>2</sup>, up to H07RN-F

Protection type	IP 44
Ampere	16 A
Poles	2p+E
Voltage	230
Contact	standard
Connection technology	Screw terminals

Std. Pack. 10 Qty.

Drawing  
3 MB 39

Dim. in mm