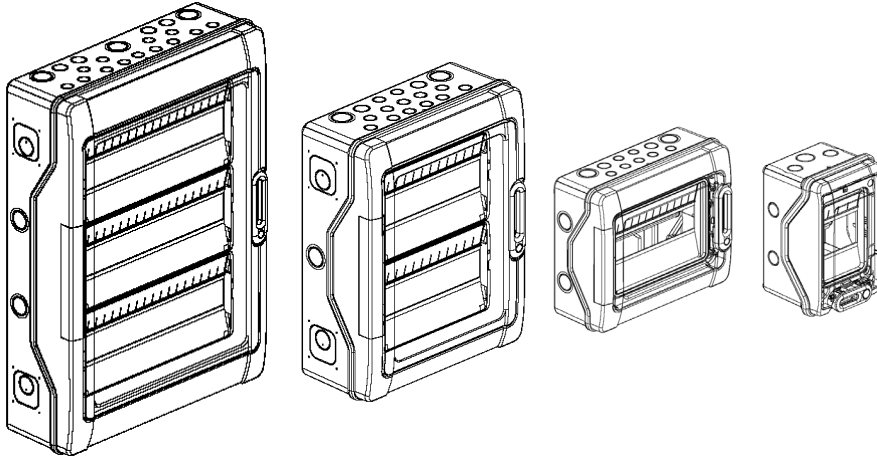


IDROBOARD weatherproof cabinets**Cat. Nos :**

F107N4D - F107N6D - F107N8D

F107N12D - F107N24D - F107N36D3

F107N18D - F107N36D2 - F107N54D - F107N72D



Index	Pages
1. Description - Use	2
2. Range	2
3. Overall dimensions	2
4. General characteristics	3
5. Setting in situation	4
6. Conformity and approvals	4
7. Equipment and accessories	4

IDROBOARD weatherproof cabinets

Cat. Nos :

F107N4D - F107N6D - F107N8D

F107N12D - F107N24D - F107N36D3

F107N18D - F107N36D2 - F107N54D - F107N72D

1. DESCRIPTION - USE

Weatherproof PLEXO3 IP65 cabinets from 2 to 4x18 modules.

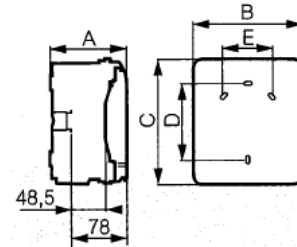
- . Impact-resistant reinforced polystyrene material
- . Removable chassis and faceplates from two-row versions upwards
- . Two-position rail for modular products and moulded boxes
- . Spacing between rails: 150 mm
- . Accommodates perforated plates and plain faceplates for mounting of non-modular products
- . Fixing of complete Plexo programme flush-mounted on the side of the cabinet from two-row versions upwards
- . Lockable door handle, tamper-evident cover and faceplate
- . Door and cabinet totally reversible
- . Direct perforation entry glands supplied

2. RANGE, EQUIVALENCE TABLE

New Cat. No.	Number of rows	Number of modules
F107N4D	1	4
F107N6D	1	6
F107N8D	1	8
F107N12D	1	12
F107N24D	2	24
F107N36D3	3	36
F107N18D	1	18
F107N36D2	2	36
F107N54D	3	54
F107N72D	4	72

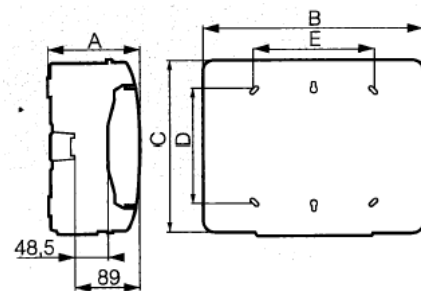
3. OVERALL DIMENSIONS

Four to eight module cabinets



Cat. Nos	Dimensions (mm)				
	A	B	C	D	E
F107N4D	115.6	128	200	120	-
F107N6D	115.6	164	200	120	70
F107N8D	115.6	200	200	120	106

Twelve- to eighteen-module cabinets



Cat. Nos	Dimensions (mm)				
	A	B	C	D	E
F107N12D	141	340	282	180	180
F107N24D	161	340	432	330	180
F107N36D3	161	340	622	480	180
F107N18D	141	448	282	180	290
F107N36D2	161	448	432	330	290
F107N54D	161	448	622	480	290
F107N72D	161	448	822	680	290

IDROBOARD weatherproof cabinets

Cat. Nos :

F107N4D - F107N6D - F107N8D
 F107N12D - F107N24D - F107N36D3
 F107N18D - F107N36D2 - F107N54D - F107N72D

4. GENERAL CHARACTERISTICS

Technical characteristics :

- . Box colour : light grey L750A
- . Cover colour : dark grey RAL 7046
- . Shutter colour : transparent blue
- . Protection rating : IP65 – IK09
- . Self-extinguishing : 650°C
- . Dual class II insulation
- . Rated operating voltage : 400 V AC – 50/60 Hz
- . Rated insulation voltage : 400 V AC – 50/60 Hz
- . Short-circuit current: 10 kA
- . Storage and installation temperature:
 FOUR to eight-module cabinets : -15°C to +55°C (+70°C/24 H)
 Twelve to eighteen-module cabinets : -25°C to +55°C (+70°C/24 H)
- . Operating temperature : -25°C to 40°C
- . Max. permitted current :

F107N24D/F107N4D/F107N6D :	32 A
F107N72D/F107N8D :	40 A
F107N12D/F107N18D :	63 A
F107N24D/F107N36D3/F107N36D2 :	90 A
F107N54D/F107N72D :	125 A
- . Permissible loads : 40N per row

Materials :

- . Box, cover, rail brackets, terminal brackets, hinge cover and faceplate : impact reinforced polystyrene
- . Door : transparent polycarbonate
- . Handle and door identifier indicator light : polycarbonate
- . Handle bar : glassfibre-reinforced polycarbonate
- . Entry glands : polypropylene + SEBS
- . Cover/box screws and springs : stainless steel
- . Other screws : zinc-coated steel
- . Rails : galvanised steel

Cabinets without terminals :

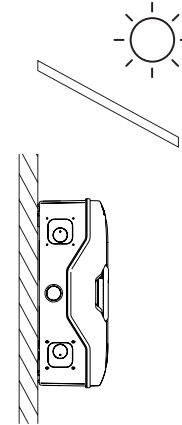
Number of knockouts

The cabinet has the same number of knockouts on the top and the bottom.

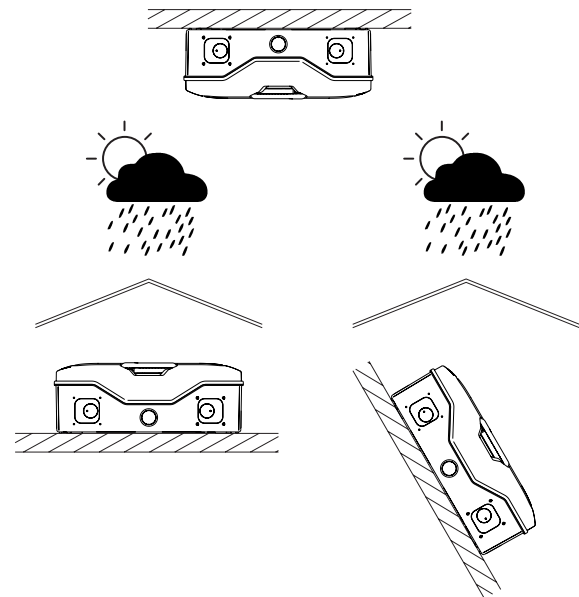
	Number of knockouts on each			Number of entry glands supplied		
	Ø20 mm	Ø25 mm	Ø32 mm	Ø20 mm	Ø25 mm	Ø32 mm
F107N4D	2	1	-	-	-	-
F107N6D	4	1	-	-	-	-
F107N8D	6	1	-	-	-	-
F107N12D	7	2	2	-	-	-
F107N24D	13	2	2	-	-	-
F107N36D3	13	2	2	-	-	-
F107N18D	12	2	3	-	-	-
F107N36D2	13	4	3	-	-	-
F107N54D						
F107N72D						

5. SETTING IN SITUATION

Vertical positioning



Horizontal / sloping positioning



6. CONFORMITY AND APPROVALS

IEC 60 439-3
 IEC 60 695-2-11
 IEC 62 262
 IEC 62 208
 RoHS
 WEEE
 REACH

IDROBOARD weatherproof cabinets

Cat. Nos :

F107N4D - F107N6D - F107N8D

F107N12D - F107N24D - F107N36D3

F107N18D - F107N36D2 - F107N54D - F107N72D

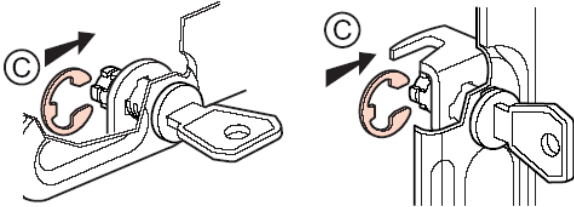
7. EQUIPMENT AND ACCESSORIES

Key lock Cat. No. F107NC1

Key lock no. 850

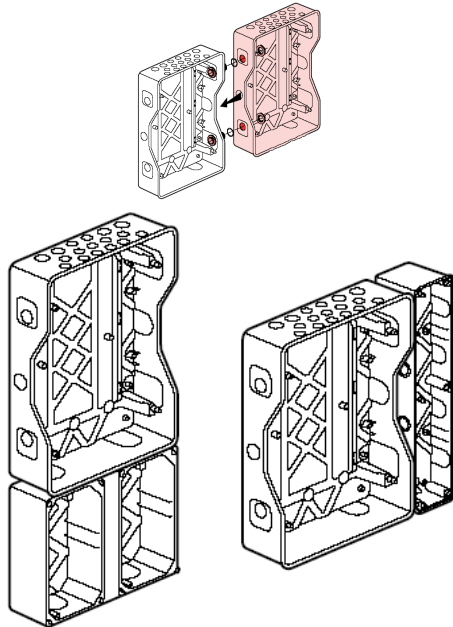
2- to 8-module cabinets

12- to 18-module cabinets



Joining kit Cat. No. F107NK

Used to run cables between two cabinets or horizontal or vertical multifunction sleeves, while maintaining IP65 protection

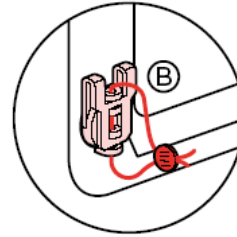


7. EQUIPMENT AND ACCESSORIES (suite)

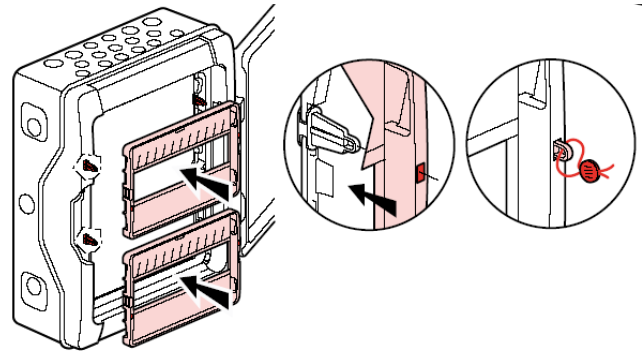
Sealing kit Cat. No. F107NPB

Set of two sealable terminal shields for covers and eight sealable brackets for faceplates.

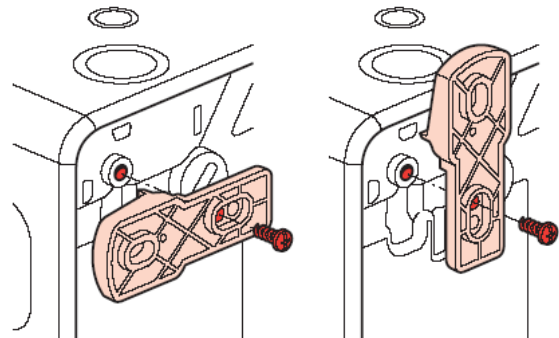
Sealable terminal shields for covers



Sealable brackets for faceplates



Set of four wall mounting lugs Cat. No. F107NS



Blanking plates Cat. No. F107FP5

Set of five, separable into modules or half-modules, dark grey RAL 7046.

IDROBOARD weatherproof cabinets

Cat. Nos :

F107N4D - F107N6D - F107N8D

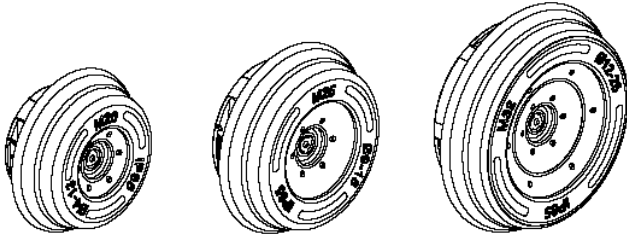
F107N12D - F107N24D - F107N36D3

F107N18D - F107N36D2 - F107N54D - F107N72D

Direct perforation entry glands Cat. No. F107RDT

Pack comprising 2 ISO Ø32 mm entry glands, 5 ISO Ø25 mm entry glands and 10 ISO Ø20 mm entry glands.

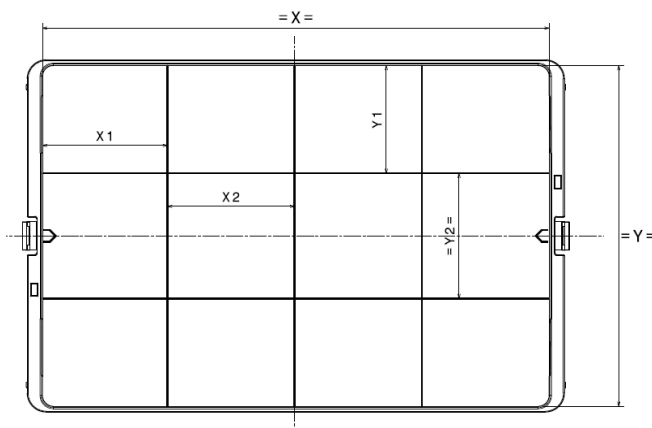
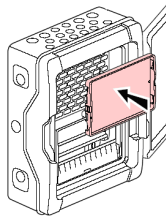
These entry glands maintain the cabinet's IP65 and IK09 ratings.



Plain faceplates

for 12-module cabinets Cat. No. F107PA12

for 18-module cabinets Cat. No. F107PA18

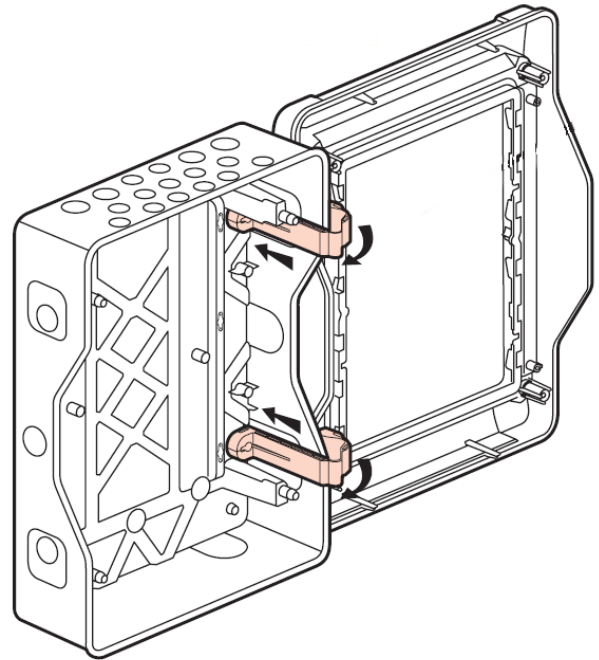


Cat. No.	X	X1	X2	Y	Y1	Y2
001964	215	53	54	145	45	53
001965	324	53	54	145	45	53

7. EQUIPMENT AND ACCESSORIES (suite)

Hinges Cat. No. F107NCH

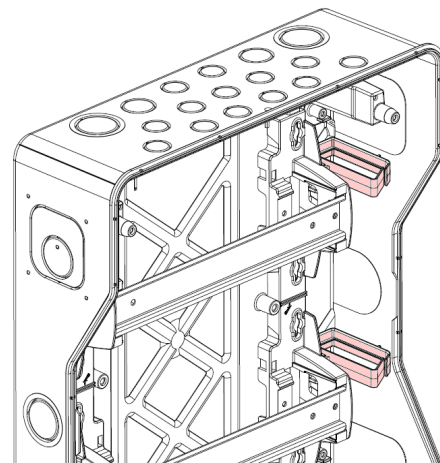
Set of 2 hinges connecting the back of the cabinet to the cover.



Bracciale guidacavi

Guida Bracciali fornito con il kit :

Cat. N°.	Numero di bracciale
F107N24D	2
F107N36D3	3
F107N36D2	2
F107N54D	3
F107N72D	4



IDROBOARD weatherproof cabinets

Cat. Nos :

F107N4D - F107N6D - F107N8D

F107N12D - F107N24D - F107N36D3

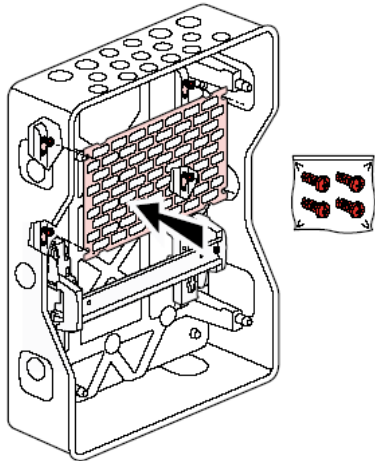
F107N18D - F107N36D2 - F107N54D - F107N72D

Perforated plates supplied with four fixing screws

Used to replace the DIN rail with a LINA 25 plate to incorporate non-modular products.

For 12-module cabinet, height 150 mm, Cat. No. F107PS12

For 18-module cabinet, height 150 mm, Cat. No. F107PS18



IP2X terminals

	IP2x terminals	
	Earth	Neutral
F107N4D	0 048 30	0 048 40
F107N6D	0 048 30	0 048 40
	0 048 32	0 048 42
F107N8D	0 048 32	0 048 42
F107N12D	0 048 34 + 0 048 19	0 048 44 + 0 048 19
F107N24D	0 048 36 + 0 048 19	0 048 46 + 0 048 19
F107N36D3	2x 0 048 36	OR 2x 0 048 46
F107N18D	0 048 35	0 048 45
F107N36D2	2x 0 048 36 4x 0 048 36	AND OR 4x 0 048 46
F107N54D		
F107N72D		