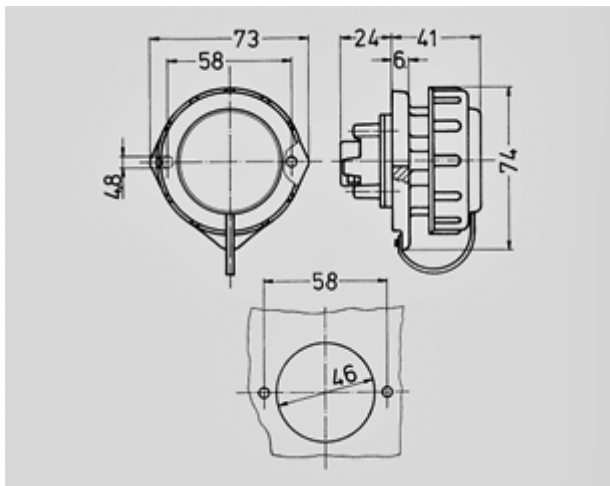


Panel mounted receptacle SCHUKO® TM - Part no. 10803

- bayonet ring lid attached by a strap
- with oval flange
- two fixing holes
- form BS
- connecting protective cap, part no. 19027706 available on request.

Protection type	IP 68
Ampere	16 A
Poles	2p
Voltage	230
Contact	standard
Connection technology	Screw terminals

Std. Pack. 10 Qty.



Drawing
1 MB 301

Dim. in mm