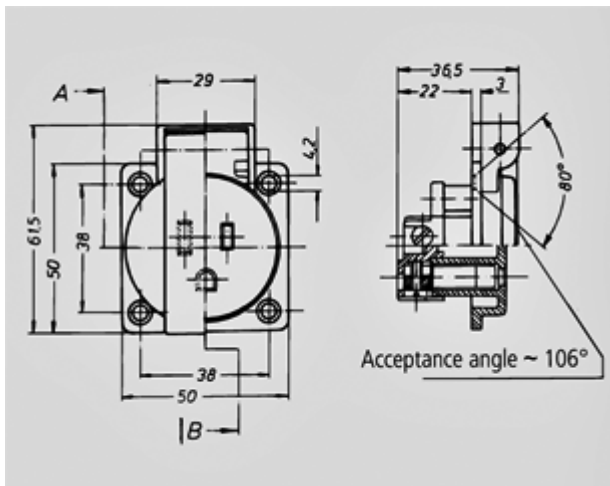


Grounding type panel mounted socket - Part no. 10087

- NEMA for the USA and Canada
- with hinged lid
- with 3 screw terminals
- receptacle cannot be combined with enclosure base part no. 10714, 10715 or 10716

Protection type	IP 44
Ampere	15 A
Poles	2p+E
Voltage	125
Contact	standard
Connection technology	Screw terminals

Std. Pack. 20 Qty.



Drawing
1 MB 421

Dim. in mm