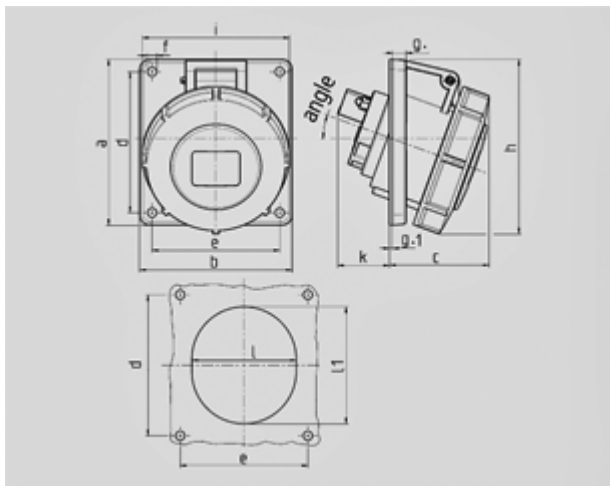


**Panel mounted socket - Part no. 1503**


- screw terminals
- 20° inclination
- 32A receptacles optional fitted with auxiliary contact

|                       |                 |
|-----------------------|-----------------|
| Protection type       | IP 67           |
| Ampere                | 32 A            |
| Poles                 | 3p              |
| Voltage               | 400             |
| Hertz                 | 50-60Hz         |
| Earth position        | 9h              |
| Contact               | standard        |
| Connection technology | Screw terminals |

Std. Pack. 10 Qty.



| Drawing   | Amp.         | 16   |     |     | 32  |     |     |
|---|--------------|------|-----|-----|-----|-----|-----|
|   |              | 3    | 4   | 5   | 3   | 4   | 5   |
| <b>1 MB 251</b>   | <b>Poles</b> |      |     |     |     |     |     |
| <b>Dim. in mm</b>                                       | <b>a</b>     | 73,5 | 100 | 100 | 100 | 100 | 100 |
|   | <b>b</b>     | 64   | 92  | 92  | 92  | 92  | 92  |
|   | <b>c</b>     | 52   | 60  | 62  | 64  | 64  | 66  |
|   | <b>d</b>     | 60   | 85  | 85  | 85  | 85  | 85  |
|   | <b>e</b>     | 52   | 77  | 77  | 77  | 77  | 77  |
|   | <b>f</b>     | 5,5  | 5,5 | 5,5 | 5,5 | 5,5 | 5,5 |
|   | <b>g</b>     | 8    | 8   | 8   | 8   | 8   | 8   |
|   | <b>g.1</b>   | 2    | 2   | 2   | 2   | 2   | 2   |
|   | <b>h</b>     | 84   | 100 | 105 | 109 | 109 | 113 |
|   | <b>i</b>     | 78   | 85  | 96  | 103 | 103 | 110 |
|   | <b>k</b>     | 43   | 32  | 32  | 53  | 53  | 45  |
|   | <b>l</b>     | 52   | 55  | 65  | 67  | 67  | 72  |
|   | <b>ll</b>    | 60   | 63  | 72  | 82  | 82  | 85  |
|   | <b>α</b>     | 20°  | 20° | 20° | 20° | 20° | 20° |
| <b>Terminal for cond. cross section (mm²) min.-max.</b> |              | 1,5  | 1,5 | 1,5 | 2,5 | 2,5 | 2,5 |
|   |              | —4   | —4  | —4  | —10 | —10 | —10 |