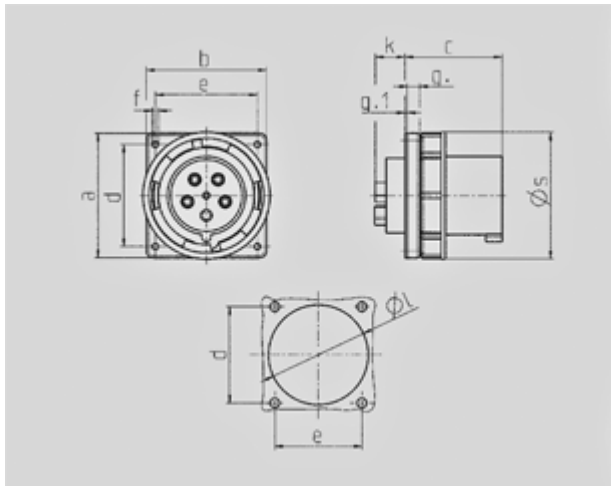


**Panel mounted inlet - Part no. 3600**


- screw terminals
- with highly heat resistant contact carrier
- nickel plated contacts

|                       |                                                               |
|-----------------------|---------------------------------------------------------------|
| Protection type       | IP 67                                                         |
| Ampere                | 125 A                                                         |
| Poles                 | 4p                                                            |
| Voltage               | 500                                                           |
| Hertz                 | 50-60Hz                                                       |
| Earth position        | 7h                                                            |
| Contact               | nickel plated contacts, highly heat resistant contact carrier |
| Connection technology | Screw terminals                                               |

Std. Pack. 5 Qty.



| Drawing    | Amp.                                                          | 63   |      |      | 125 |     |     |
|------------|---------------------------------------------------------------|------|------|------|-----|-----|-----|
|            |                                                               | 3    | 4    | 5    | 3   | 4   | 5   |
| 2 MB 166   | Poles                                                         |      |      |      |     |     |     |
| Dim. in mm | a                                                             | 110  | 110  | 110  | 130 | 130 | 130 |
|            | b                                                             | 106  | 106  | 106  | 130 | 130 | 130 |
|            | c                                                             | 86   | 86   | 86   | 112 | 112 | 112 |
|            | d                                                             | 90   | 90   | 90   | 104 | 104 | 104 |
|            | e                                                             | 90   | 90   | 90   | 104 | 104 | 104 |
|            | f                                                             | 5,5  | 5,5  | 5,5  | 6,5 | 6,5 | 6,5 |
|            | g.                                                            | 12   | 12   | 12   | 18  | 18  | 18  |
|            | g.1                                                           | 2    | 2    | 2    | 2   | 2   | 2   |
|            | k                                                             | 28   | 28   | 28   | 28  | 28  | 28  |
|            | l                                                             | 88.5 | 88.5 | 88.5 | 95  | 95  | 95  |
|            | s                                                             | 113  | 113  | 113  | 132 | 132 | 132 |
|            | Terminal for cond. cross section (mm <sup>2</sup> ) min.-max. | 6    | 6    | 6    | 25  | 25  | 25  |
|            |                                                               | -16  | -16  | -16  | -70 | -70 | -70 |