

### ONE HOLE HYLUG™ CODE CONDUCTOR STANDARD BARREL

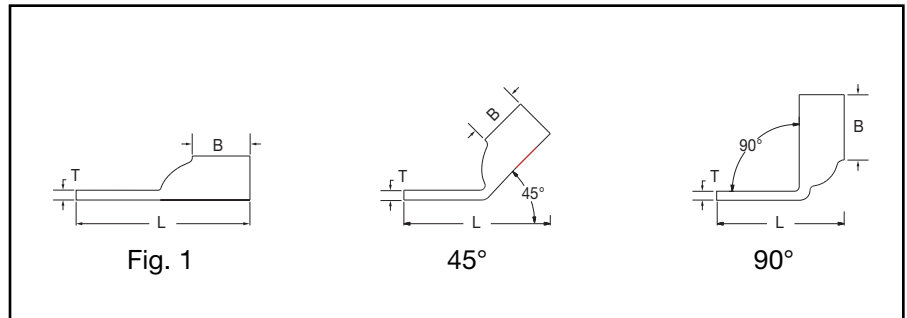
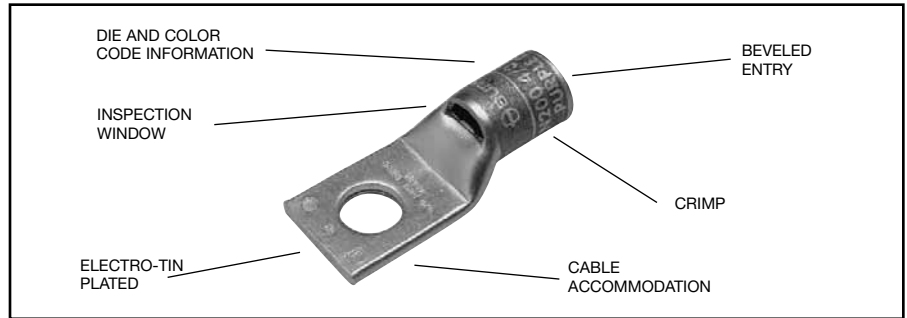
TYPES YA-L, YA-L-TC

### COPPER COMPRESSION TERMINAL

UL Listed 90° C,  
600 Volts to 35 kV ◆

45° and 90° angles are available.

Please contact Customer Service to order:  
1-800-346-4175



Catalog Number	Fig #	Conductor		Stud Hole Size	Tongue Width	Figure Dimensions			▲ Installation Tooling							
		AWG	*** MM <sup>2</sup>			(B)	(T)	(L)	Dieless (# of crimps)	Mechanical		Hydraulic		Color Code	Die Index	Wire Strip Length
										MD6, OUR840, MD7-34R	BCT500HS, Y500CTHS	Y35, Y39, Y750, Y46*, PAT750				
<b>YAV10-BOX</b>	1			8-10	.38"	.405"	.058"	1.02"	Y8MRB-1 (1)	—	—	—	—	—	—	7/16"
<b>YAV10R-BOX</b>	3	#14-#10		1/4"	.47"	.405"	.047"	.83"								
<b>YAV10R3-BOX</b>	3	Str		5/16"	.53"	.38"	.047"	1.12"								
<b>YAV10T2-BOX</b>	1	#12-#10	6	1/4"	.47"	.405"	.047"	1.10"								
<b>YAV10T3-BOX</b>	1	Sol		3/8"	.56"	.38"	.047"	1.18"								
<b>YAV10T4-BOX</b>	1															
<b>YA8CL1-BOX</b>	1	#8 AWG #8 Weld 37/24 #6 Solid	† 10	1/4"	.44"	.44"	.08"	1.26"	Y1MRTC (1) Y8MRB-1 (1) MY29-3 (1) MY29-11 (1) MRC840 (1) Y81KFT (1) Y81KFTMBH (1) PAT81KFT-18V (1)	W8CVT (1) W8CRT (1) X8CRT (1)	W8CVT (1) W8CRT (1) X8CRT (1)	U8CRT (1)	Red	49	7/16"	
<b>YA8CL2-BOX</b>	1			5/16"	.52"	.44"	.06"	1.38"								
<b>YA8CL3-BOX</b>	1			3/8"	.58"	.44"	.06"	1.51"								
<b>YA8CL4-BOX</b>	1			1/2"	.71"	.44"	.05"	1.76"								
<b>YA8CL-BOX</b>	1			8-10	.41"	.44"	.08"	1.16"								
<b>YA6CL-BOX</b>	1	#6 AWG		1/4"	.45"	.54"	.08"	1.18"	Y1MRTC (1) MY29-3 (1) MY29-11 (1) MRC840 (1)	W5CVT (1) W5CRT (1) X5CRT (1) X8CART (1)	W5CVT (1) W5CRT (1) X5CRT (1) X8CART (1)	U5CRT (1)	Blue	7	5/8"	
<b>YA6CL1-BOX</b>	1			8-10	.41"	.54"	.09"	.99"								
<b>YA6CL3-BOX</b>	1			5/16"	.52"	.54"	.07"	1.24"								
<b>YA6CL4-BOX</b>	1			3/8"	.63"	.54"	.06"	1.28"								
<b>YA6CL6-BOX</b>	1	#6 AWG		1/2"	.75"	.54"	.12"	1.60"	Y81KFT (1) Y81KFTMBH (1) PAT81KFT-18V (1)	W5CVT (1) W5CRT (1) X5CRT (1) X8CART (1)	W5CVT (1) W5CRT (1) X5CRT (1) X8CART (1)	U5CRT (1) UBCABT (1)	Blue	7	5/8"	
<b>YA5CL-BOX</b>	1	#5 AWG		1/4"	.44"	.81"	.07"	1.65"		W5CVT (1) W5CRT (1) X5CRT (1)	W5CVT (1) W5CRT (1) X5CRT (1)	U5CRT (1)	Blue	7	7/8"	

\* Use PUADP-1 adapter with "U" dies in Y46 HYPRESS™.

\*\* P-RT die sets for use in Y46 HYPRESS™ only, PUADP-1 adapter not required.

\*\*\* The MM<sup>2</sup> conductor sizes listed are the recommendations for Class 2 conductor.

† The MM<sup>2</sup> conductor size listed is for both Class 2 and Class 5 conductor.

▲ See tooling section of this catalog for complete tool and die listings.

◆ For applications greater than 2000 Volts, consult cable manufacturer for voltage stress relief instructions.

Note: All dimensions shown are for reference only.

Throughout the catalog you will notice blue highlighted items. These are the most frequently ordered BURNDY® Products.